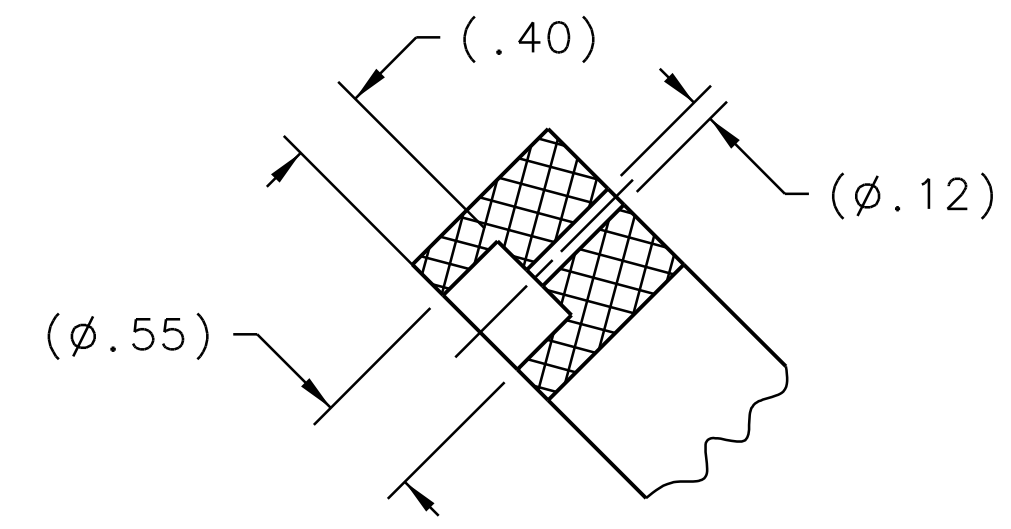
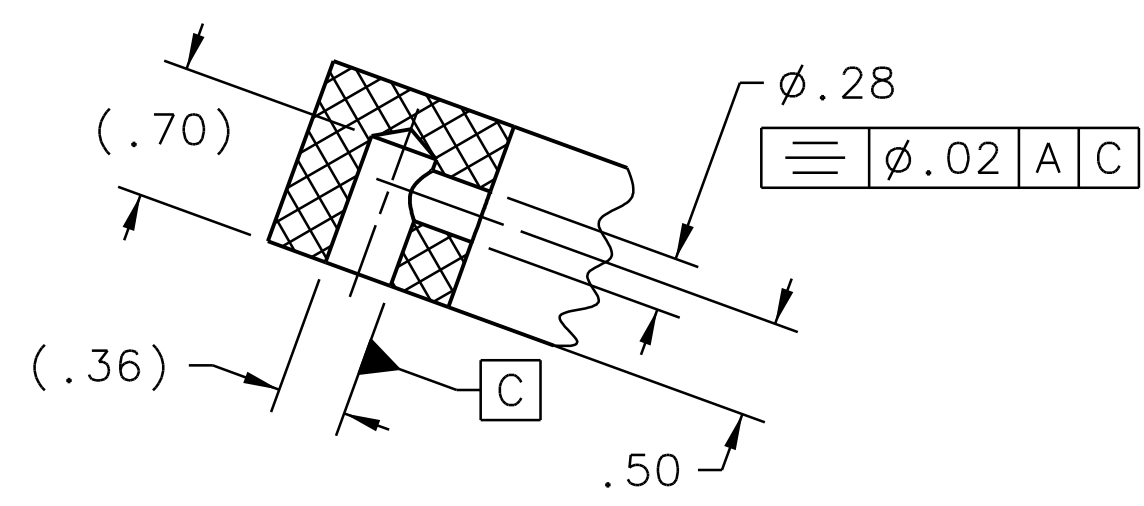


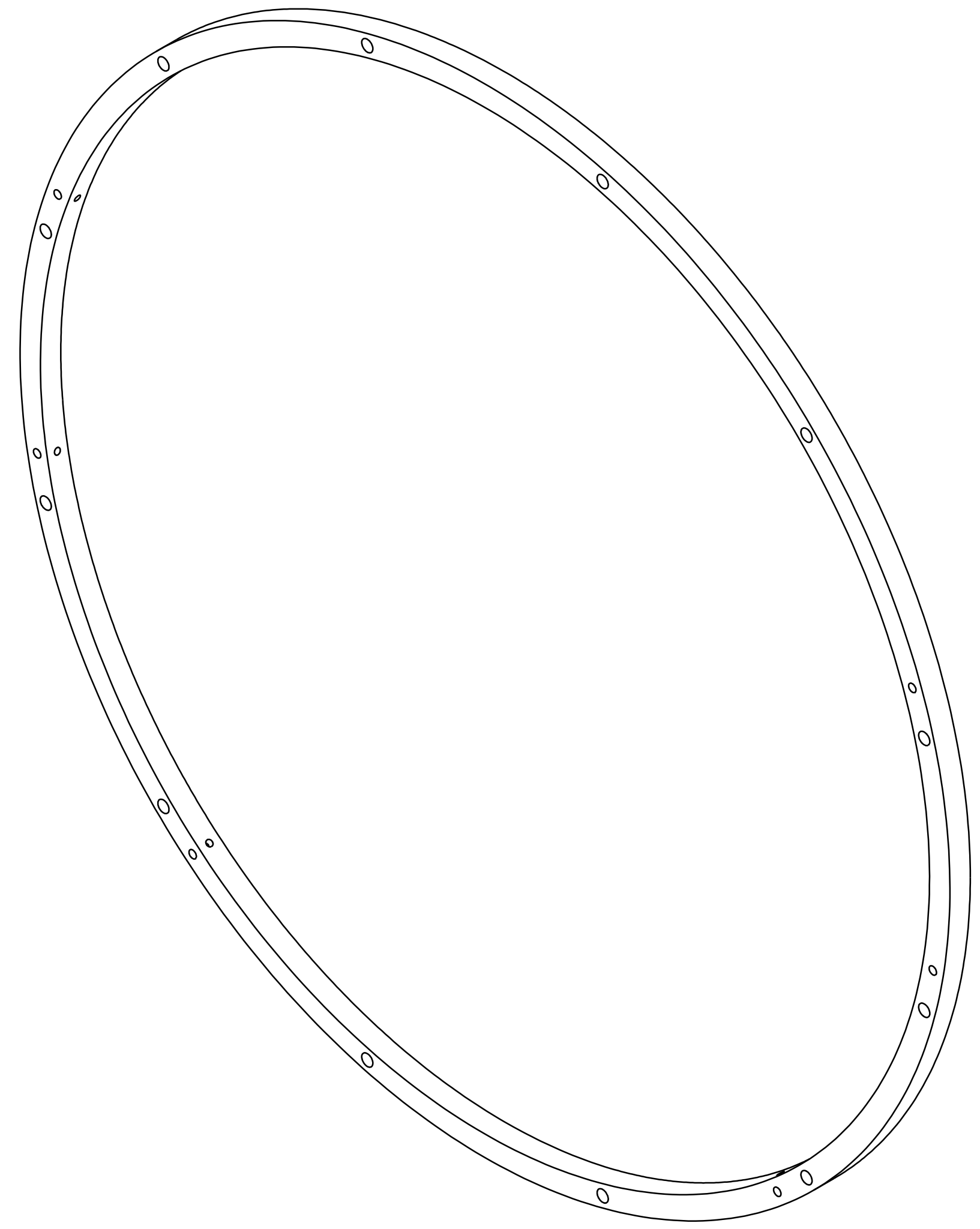
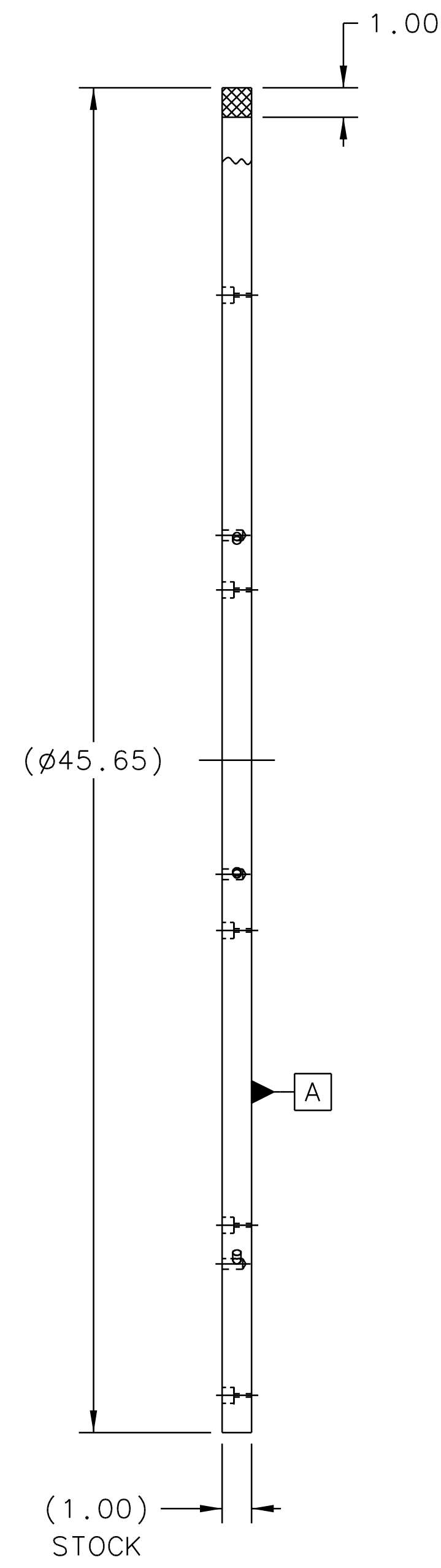
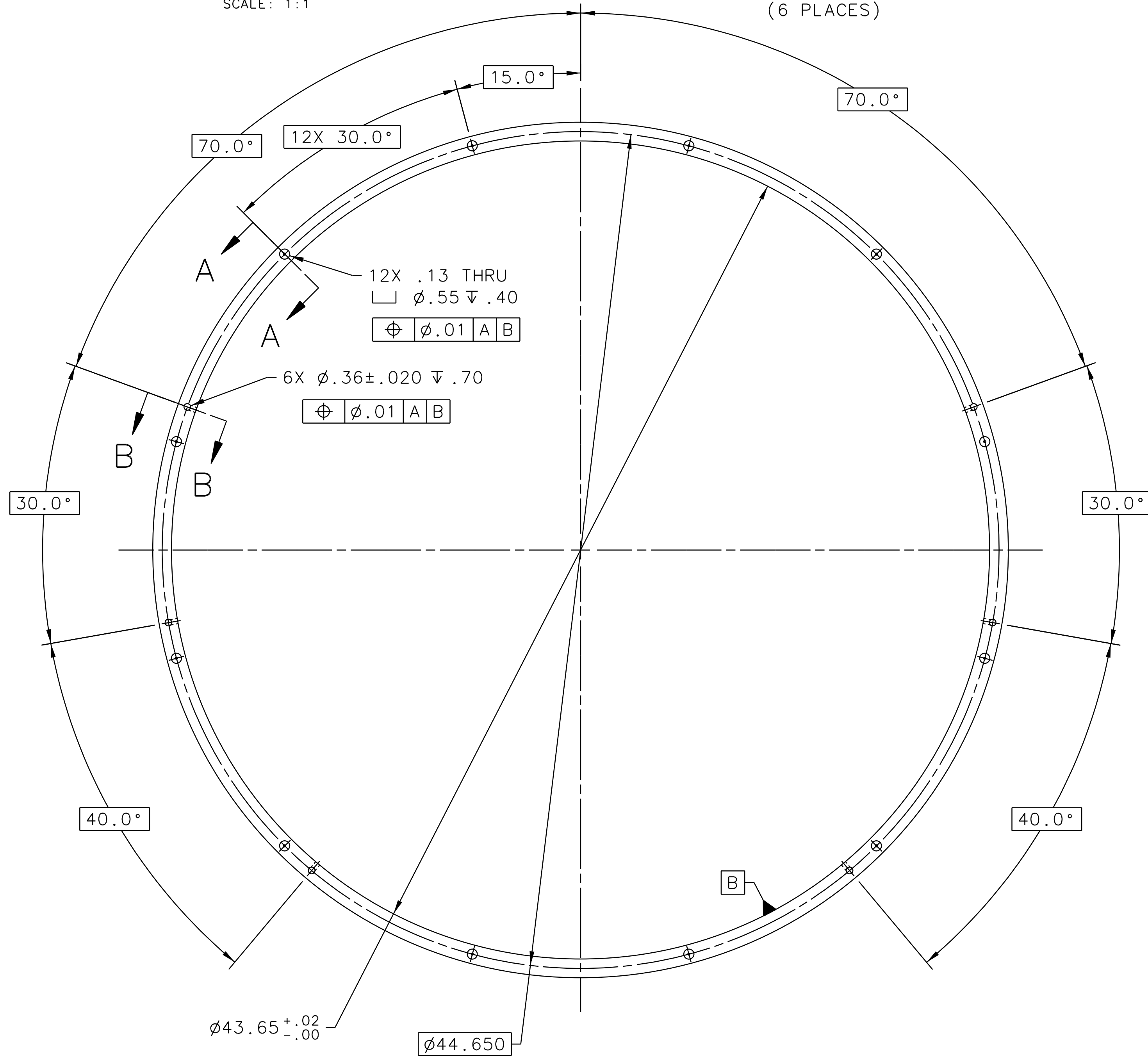
REVISION HISTORY				
ZONE	REV	DESCRIPTION	DATE	APPROVED



SECTION A-A  
SCALE: 1:1



SECTION B-B  
SCALE: 1:1  
(6 PLACES)



NOTES:  
1. SUGGESTED SOURCE OR JLAB APPROVED ALTERNATE:  
A. EVONIC INDUSTRIES  
PHONE: 801-495-9403  
www.rohacell.com

DOCUMENT CONTROL STAMP	DIM & TOL PER ASME Y14.5 UNLESS OTHERWISE SPECIFIED DIMENSIONS ARE IN INCHES TOLERANCES ARE: FRACTIONS DECIMAL ANGLES $\pm$ N/A .XX $\pm$ .01 $\pm$ .50° .XXX $\pm$ .005	TRACKING NO. N/A	United States Department of Energy	Jefferson Lab Thomas Jefferson National Accelerator Facility	Newport News Virginia
MATERIAL ROHACELL 71 IG-F 1.00 SHEET THICKNESS	THIRD ANGLE PROJECTION	APPROVALS DRAWN VCR	DATE 05DEC11	HALL D-GLUEX DETECTOR CENTRAL DRIFT CHAMBER OUTER FOAM RING	
FINISH MACHINED SURFACES DEBURR & BREAK ALL SHARP EDGES	125 UNLESS OTHERWISE NOTED	CHECKED	APPROVED	SIZE DWG. NO. D D00000-01-02-2019	REV. -
DO NOT SCALE DRAWING		APPROVED		SCALE 1:4	USED ON ASSY NO. D00000-01-02-1000 SHEET 1 OF 1