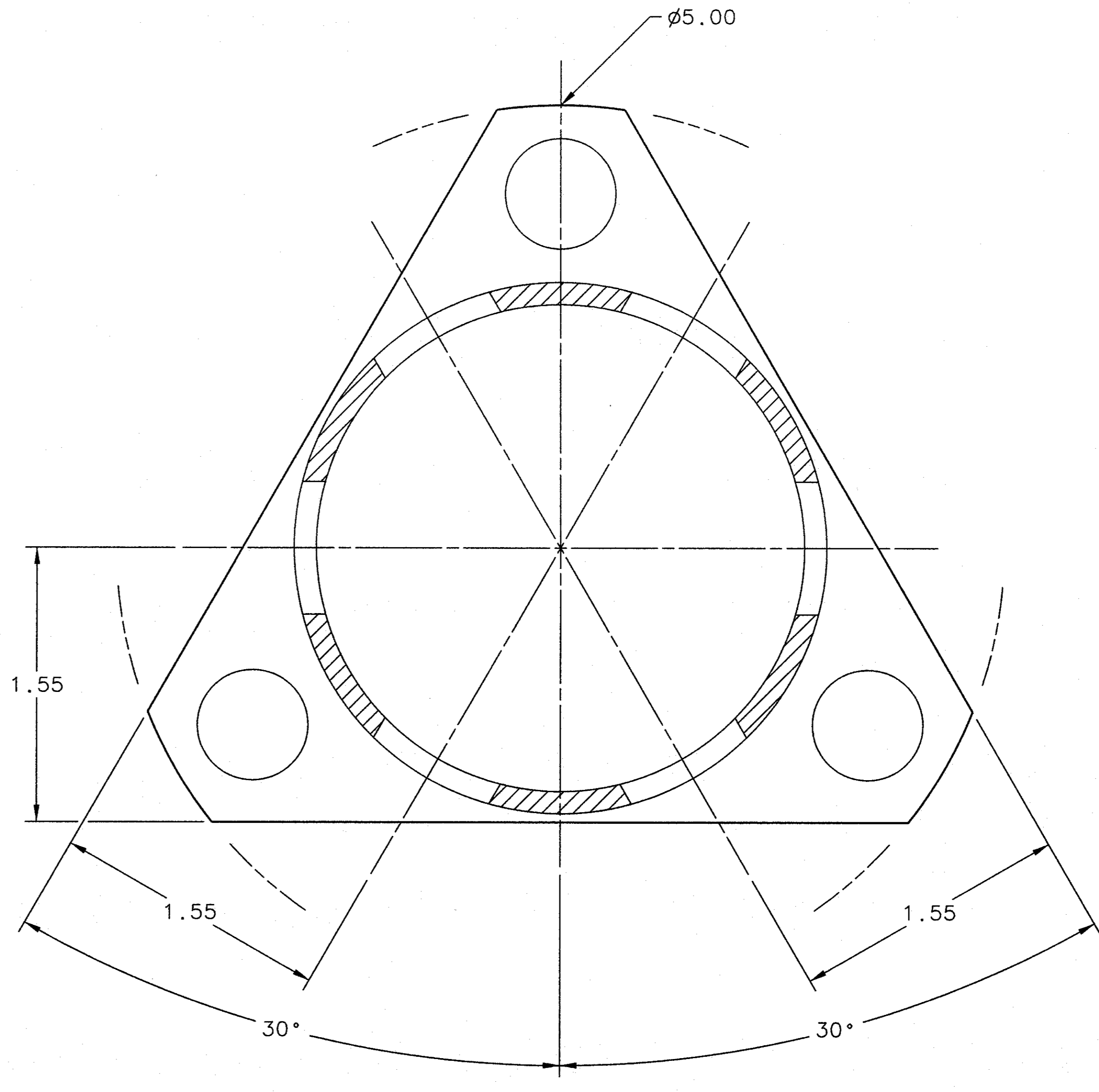
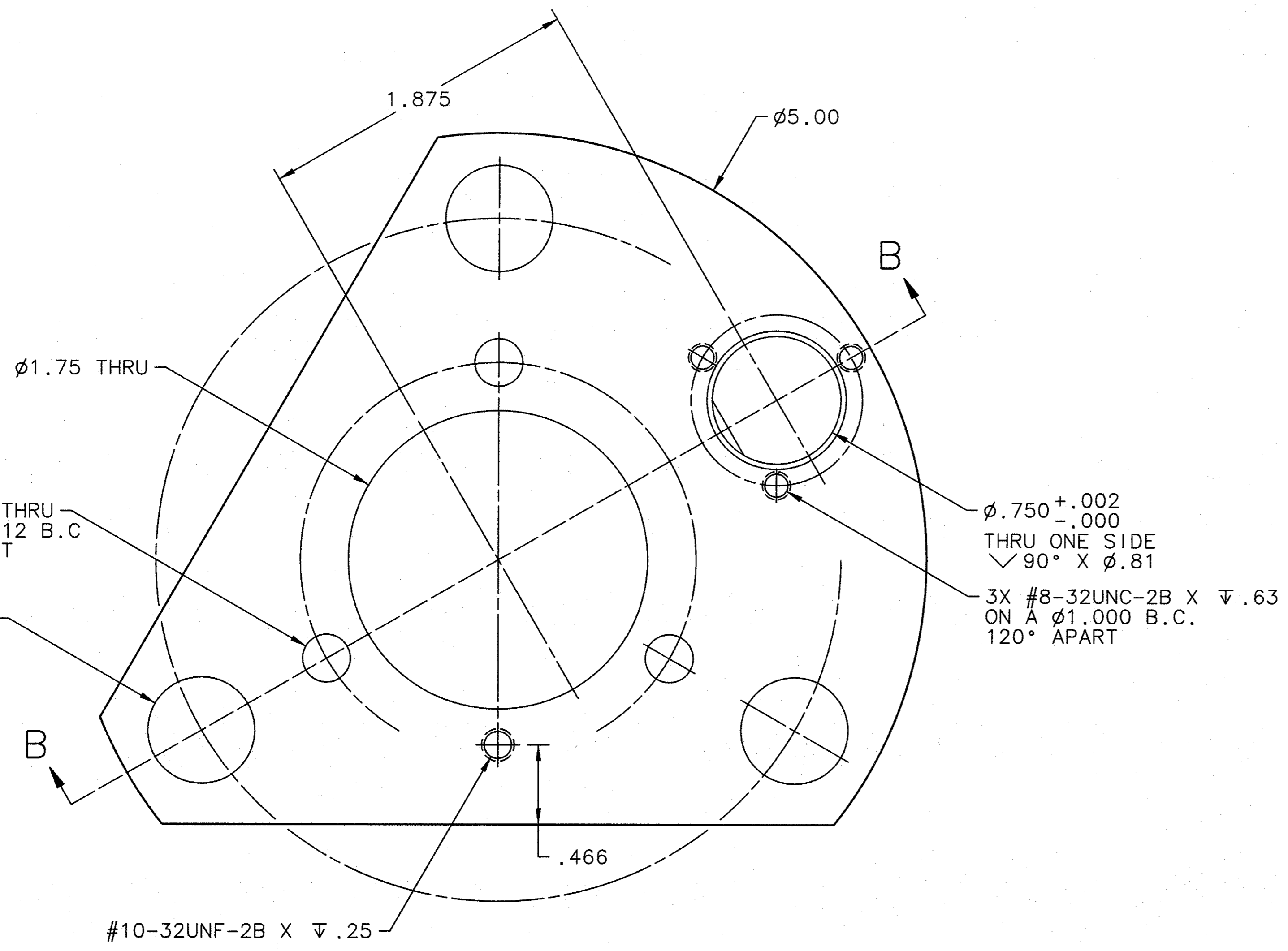
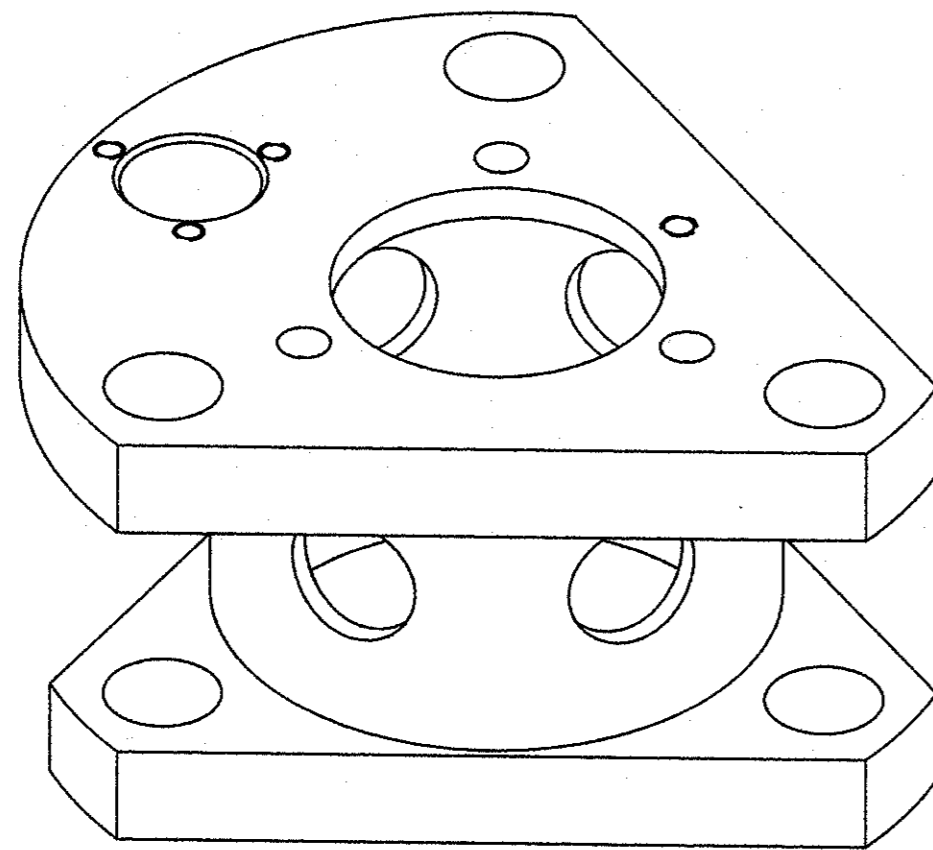
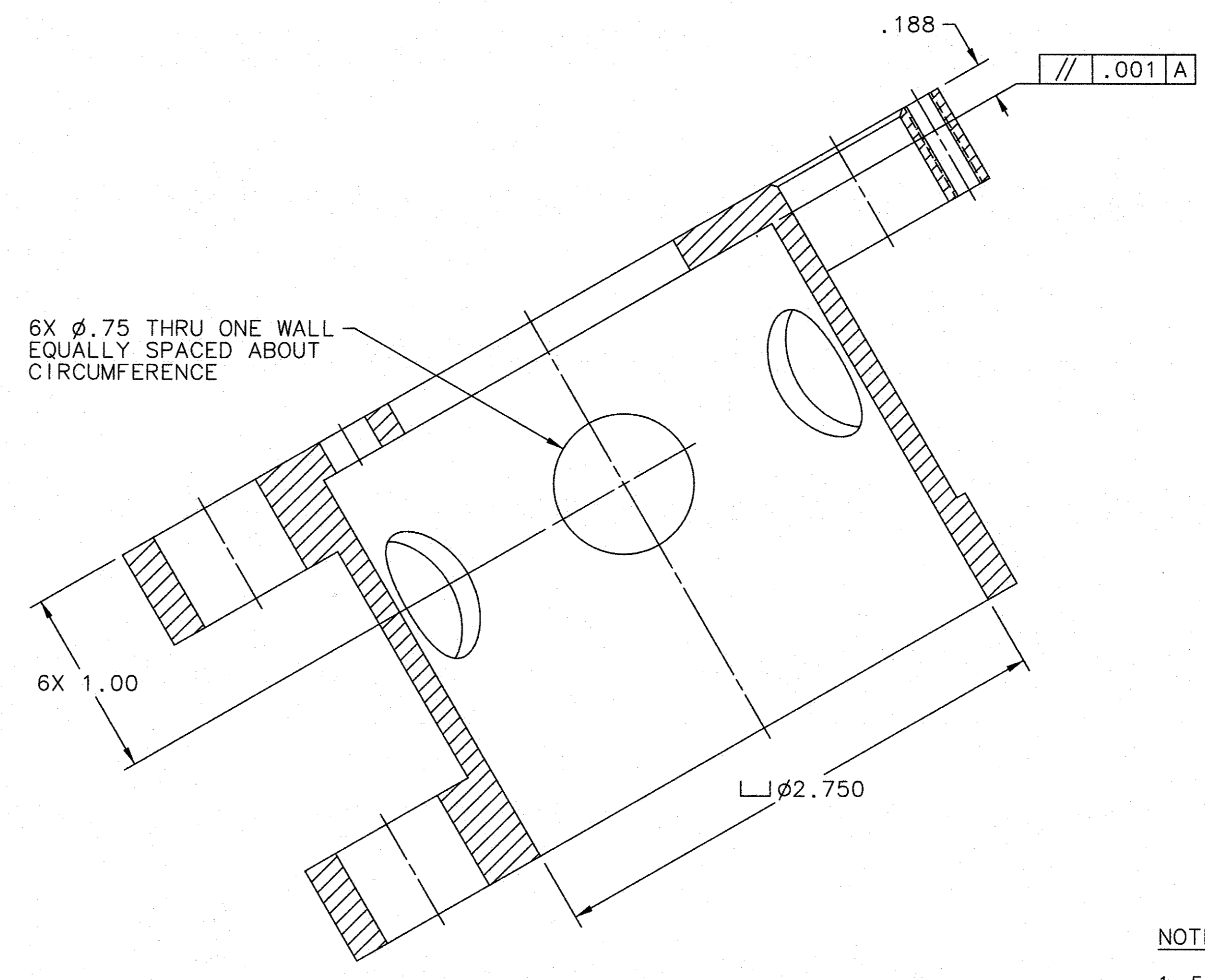
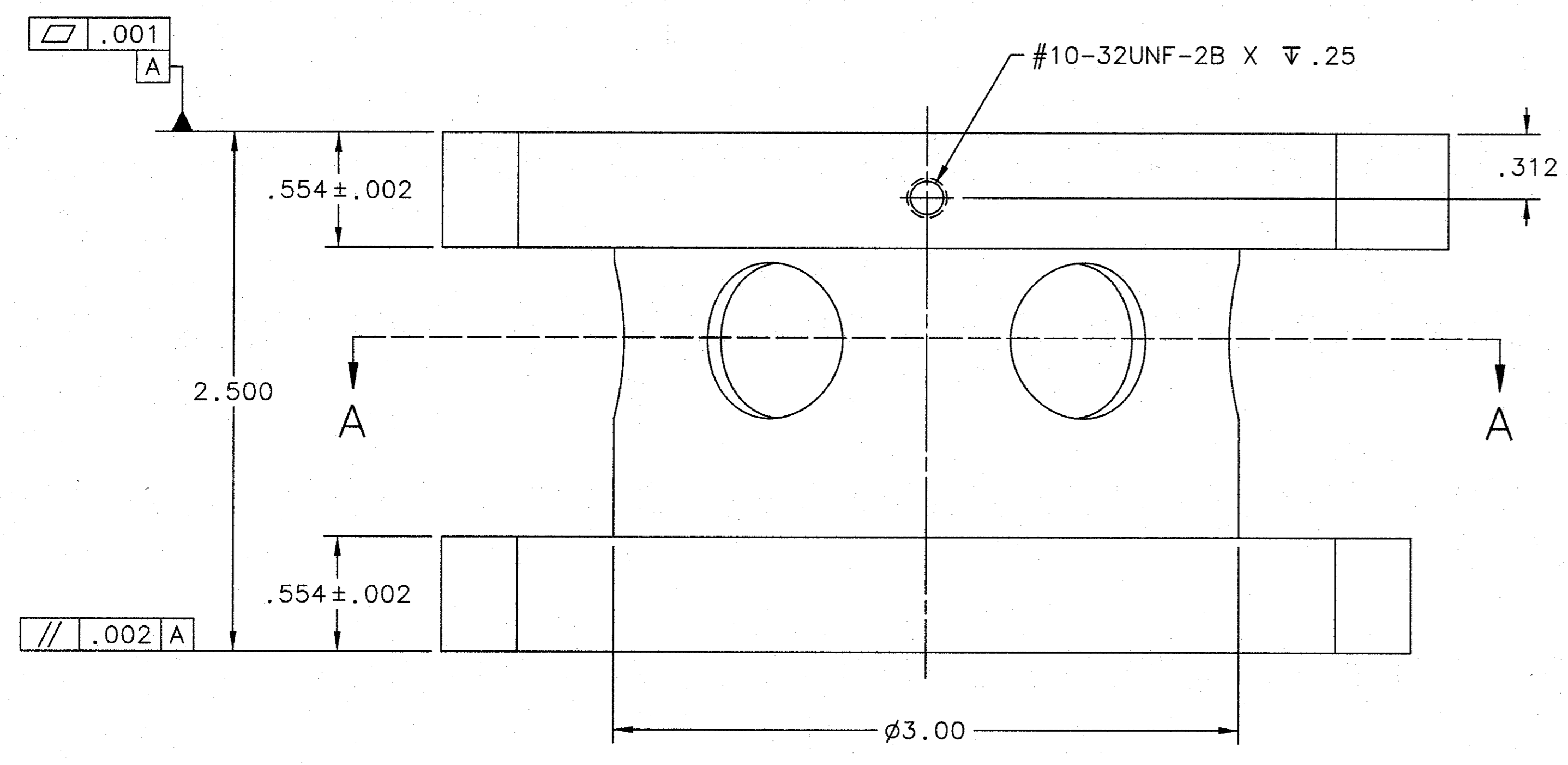


REVISION HISTORY				
ZONE	REV	DESCRIPTION	DATE	APPROVED



SECTION A-A



SECTION B-B

NOTES:
 1. FINISHED PART TO BE ANODIZED PER MIL-A-8625, TY 3, COLOR: BLUE.

DOCUMENT CONTROL		DIM & TOL PER ASME Y14.5 - UNLESS OTHERWISE SPECIFIED DIMENSIONS ARE IN INCHES		TRACKING NO.		United States Department of Energy	
		FRACTIONS: DECIMAL: ANGLES: $\pm .01$ $\pm .50^\circ$ & 1/4" $\pm .005$		N/A			
MATERIAL: ALUMINUM 6061-T6		THIRD ANGLE PROJECTION		APPROVALS:	DATE:	DIA DEVICES INSERTION DEVICES HARP/SUPER HARP CARRIAGE - DETAIL	
FINISH: MACHINED SURFACES: UNLESS OTHERWISE NOTED DEBURR & BREAK ALL SHARP EDGES				DRAWN: B. REINHART CHECKED: [Signature] APPROVED: [Signature]	02MAR11 7 APR 11 7 APR 11	SIZE/DWG. NO.: DIA-007-0200-3006 SCALE: 2:1 SHEET 1 OF 1	