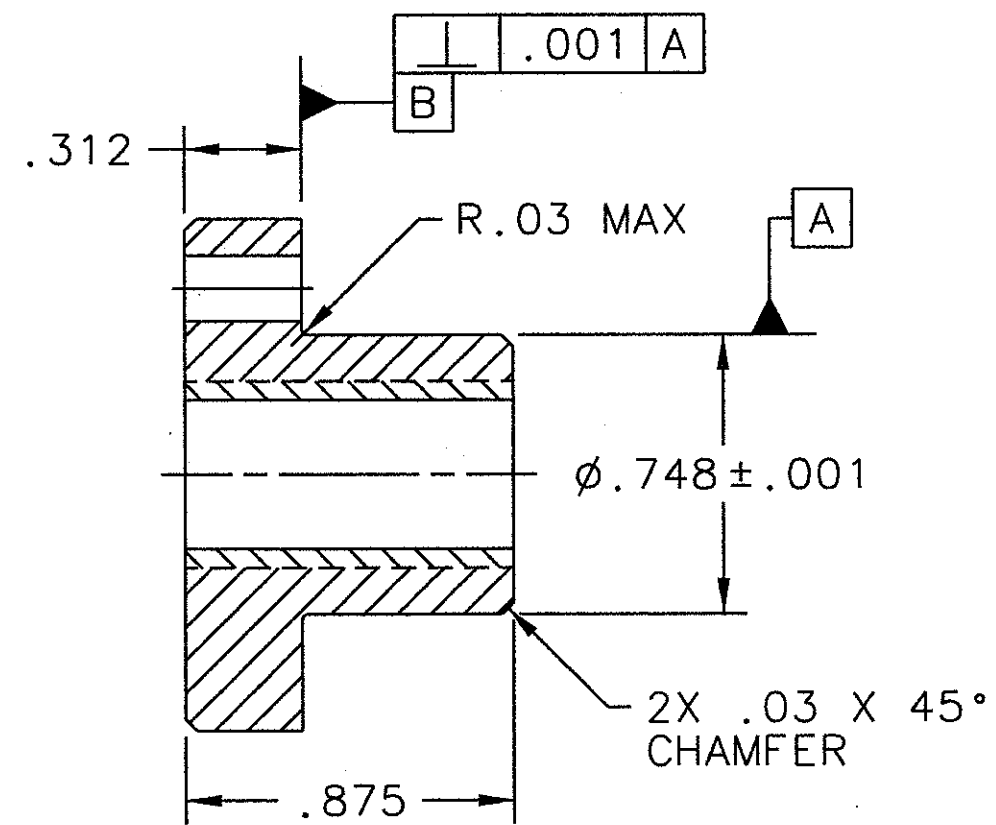
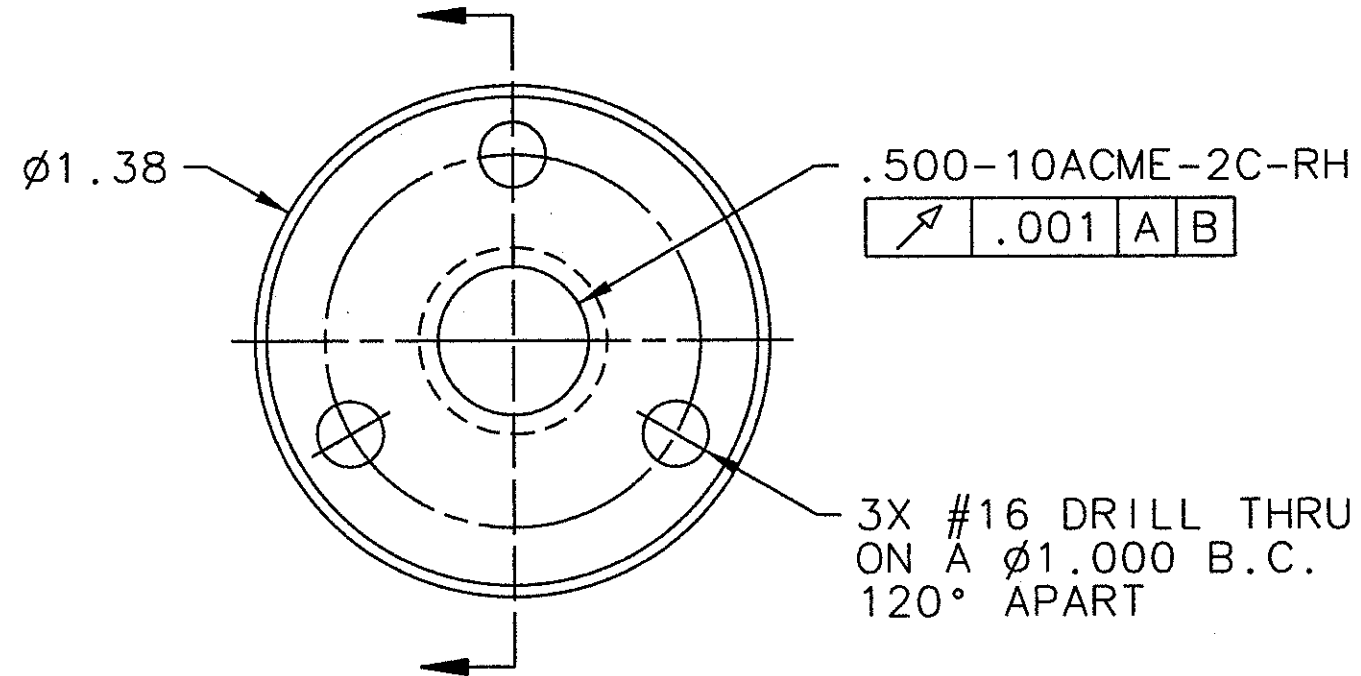


REVISION HISTORY			
REV	DESCRIPTION	DATE	APPROVED



DOCUMENT CONTROL STAMP 	DIM & TOL PER ASME Y14.5. UNLESS OTHERWISE SPECIFIED DIMENSIONS ARE IN INCHES TOLERANCES ARE: FRACTIONS DECIMAL ANGLES ±N/A .X ±.1 ±.50° .XX ±.01 .XXX ±.005	TRACKING NO. N/A		United States Department of Energy Newport News Virginia	
		APPROVALS DRAWN B. REINHART CHECKED <i>[Signature]</i> EES/CS APPROVED <i>[Signature]</i> APPROVED <i>[Signature]</i>		DATE 28FEB11 7APR11 7APR11	
MATERIAL DELIN AF	THIRD ANGLE PROJECTION 				
FINISH MACHINED SURFACES 63 UNLESS OTHERWISE NOTED DEBURR & BREAK ALL SHARP EDGES	DO NOT SCALE DRAWING				