

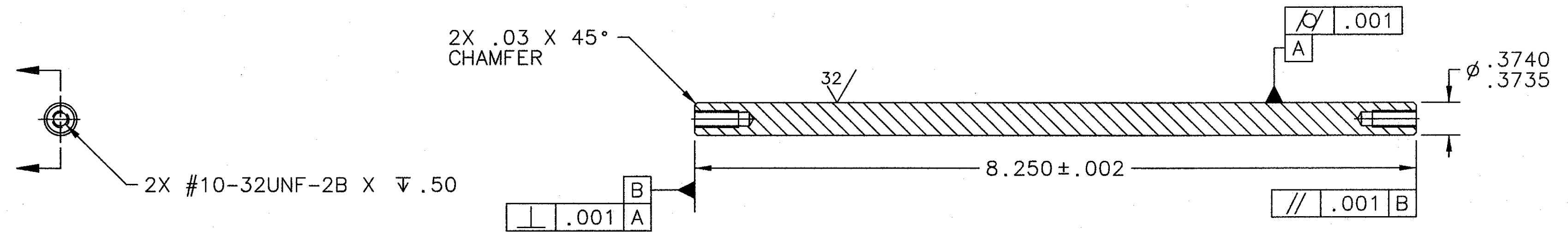
4

3

2

1

REVISION HISTORY				
ZONE	REV	DESCRIPTION	DATE	APPROVED



DOCUMENT CONTROL STAMP 	DIM & TOL PER ASME Y14.5 . UNLESS OTHERWISE SPECIFIED DIMENSIONS ARE IN INCHES TOLERANCES ARE: FRACTIONS DECIMAL ANGLES ± N/A .X ± .1 ± .50° .XX ± .01 .XXX ± .005	TRACKING NO. N/A		United States Department of Energy Newport News Virginia
		APPROVALS	DATE	
MATERIAL THOMSON HARDENED SST SHAFT CLASS "S"	THIRD ANGLE PROJECTION	DRAWN B. REINHART	28FEB11	
FINISH MACHINED SURFACES 32 UNLESS OTHERWISE NOTED DEBURR & BREAK ALL SHARP EDGES DO NOT SCALE DRAWING		CHECKED <i>[Signature]</i>	7 APR 11	
		ESICS APPROVED <i>[Signature]</i> APPROVED BY <i>[Signature]</i>	7 APR 11	SIZE DWG. NO. C DIA-007-0200-3013
		SCALE 1:1	USED ON ASSY NO. DIA-007-0200-3000/3001	REV. - SHEET 1 OF 1

4

3

2

1

D

D

C

C

B

B

A

A