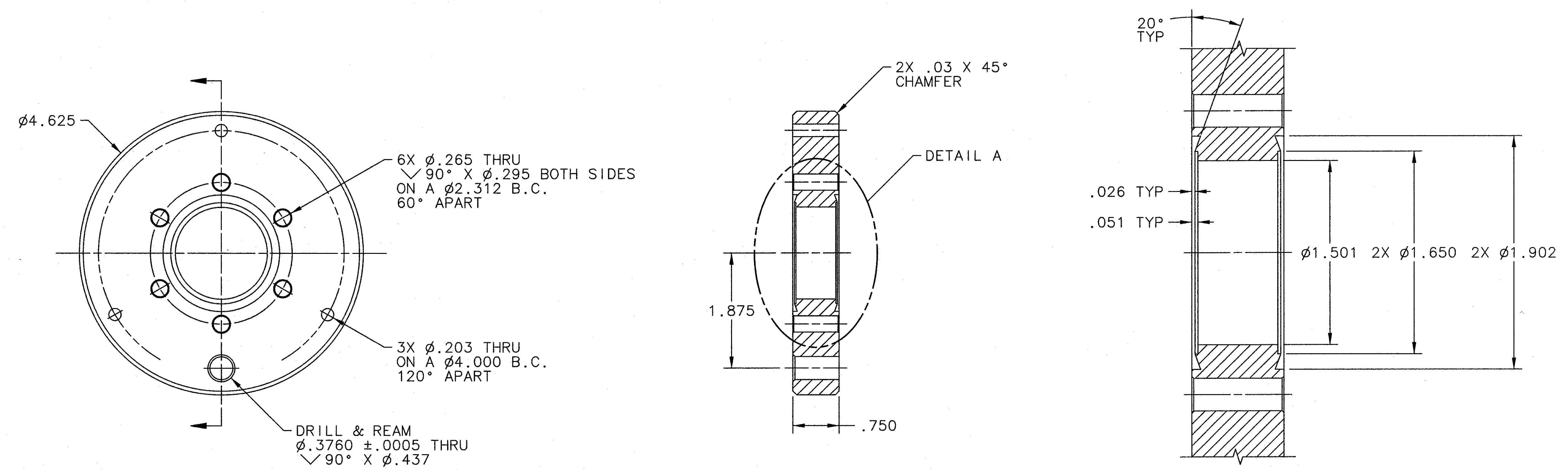


REVISION HISTORY				
ZONE	REV	DESCRIPTION	DATE	APPROVED



DETAIL A
SCALE 2:1

DOCUMENT CONTROL STAMP 	DIM & TOL PER ASME Y14.5 - UNLESS OTHERWISE SPECIFIED DIMENSIONS ARE IN INCHES TOLERANCES ARE: FRACTIONS DECIMAL ANGLES X ± .1 ± .50° .XX ± .01 .XXX ± .005	TRACKING NO. N/A		United States Department of Energy Jefferson National Accelerator Facility Newport News Virginia
		APPROVALS	DATE	
MATERIAL 304 STAINLESS STEEL	THIRD ANGLE PROJECTION	DRAWN B. REINHART	28FEB11	SIZE DWG. NO. DIA-007-0200-3014 SCALE 1:1 USED ON ASSY NO. DIA-007-0200-3000/3001 SHEET 1 OF 1
FINISH MACHINED SURFACES DEBURR & BREAK ALL SHARP EDGES 63 UNLESS OTHERWISE NOTED		CHECKED	7APR11	
DO NOT SCALE DRAWING		EES/CS APPROVED 7APR11 APPROVED 7APR11		REV. -