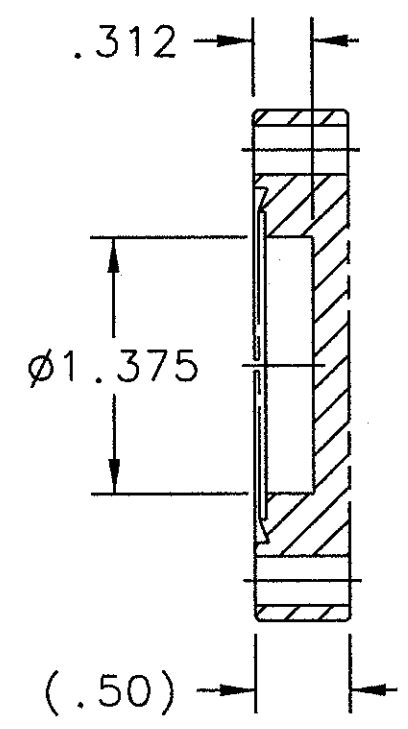
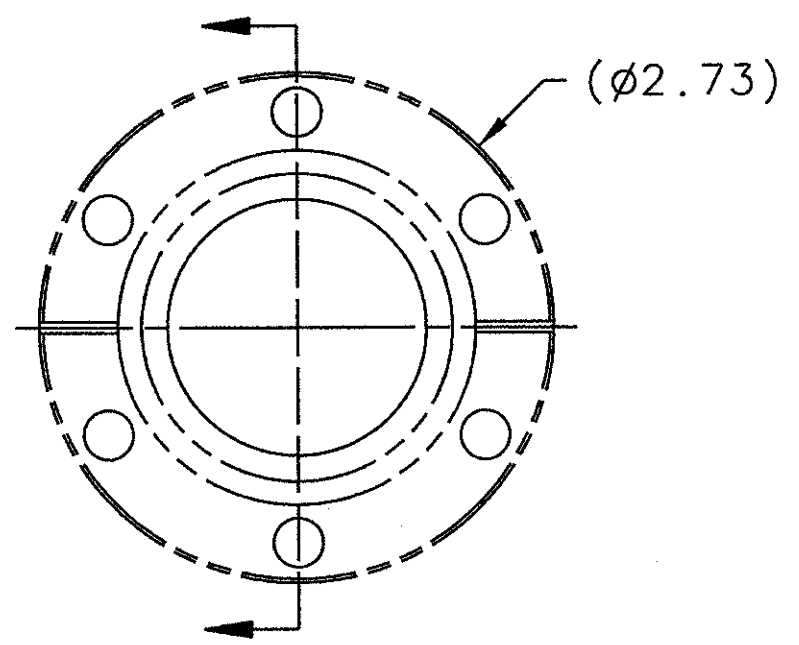


REVISION HISTORY			
REV	DESCRIPTION	DATE	APPROVED



NOTES:

1. SUGGESTED SOURCE OR JLAB APPROVED:

a. A&N CORPORATION
 707 SW 19TH AVENUE
 WILLSTON, FL 32696
 (800) 352-6431
 www.ancorp.com

DOCUMENT CONTROL STAMP IOG	DIM & TOL PER ASME Y14.5. UNLESS OTHERWISE SPECIFIED DIMENSIONS ARE IN INCHES TOLERANCES ARE: FRACTIONS DECIMAL ANGLES ±N/A .X ±.1 ±.50° .XX ±.01 .XXX ±.005	TRACKING NO. N/A		United States Department of Energy Jefferson Lab Thomas Jefferson National Accelerator Facility Newport News Virginia
		APPROVALS	DATE	
MATERIAL MAKE FROM A&N PN 5000056	THIRD ANGLE PROJECTION	DRAWN B. REINHART	28FEB11	DIA DEVICES INSERTION DEVICES HARP/SUPER HARP MODIFIED FLANGE - DETAIL
FINISH MACHINED SURFACES 125 ✓ UNLESS OTHERWISE NOTED DEBURR & BREAK ALL SHARP EDGES		CHECKED <i>[Signature]</i>	7 APR 11	
DO NOT SCALE DRAWING		DESIGN APPROVED <i>[Signature]</i>	7 APR 11	
		APPROVED <i>[Signature]</i>	7 APR 11	SIZE DWG. NO. B DIA-007-0200-3015 REV. -
		SCALE 1:1 USED ON ASSY NO. DIA-007-0200-3000/3001 SHEET 1 OF 1		