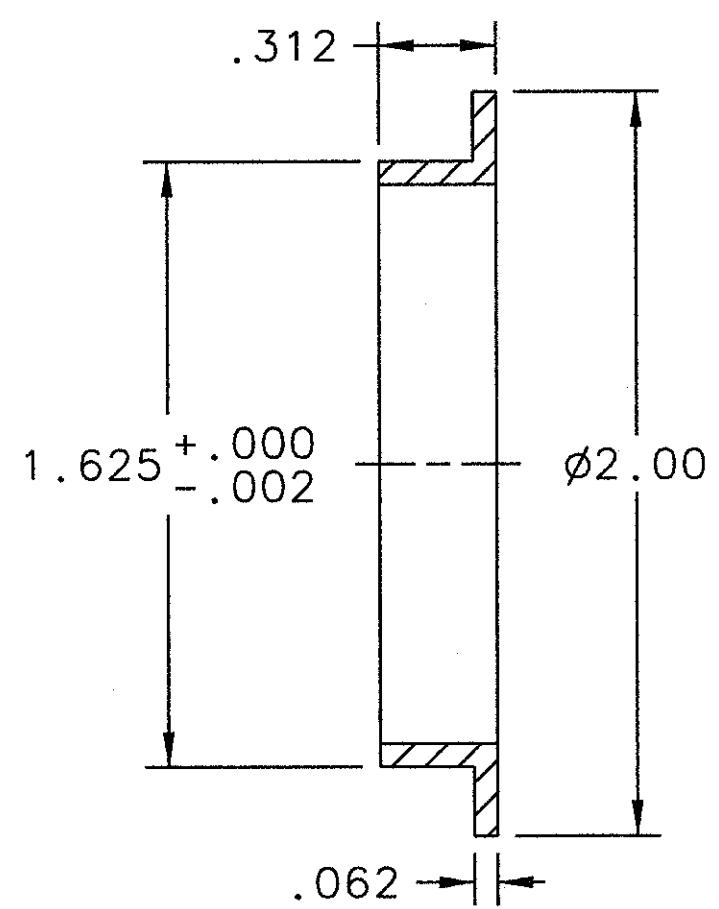
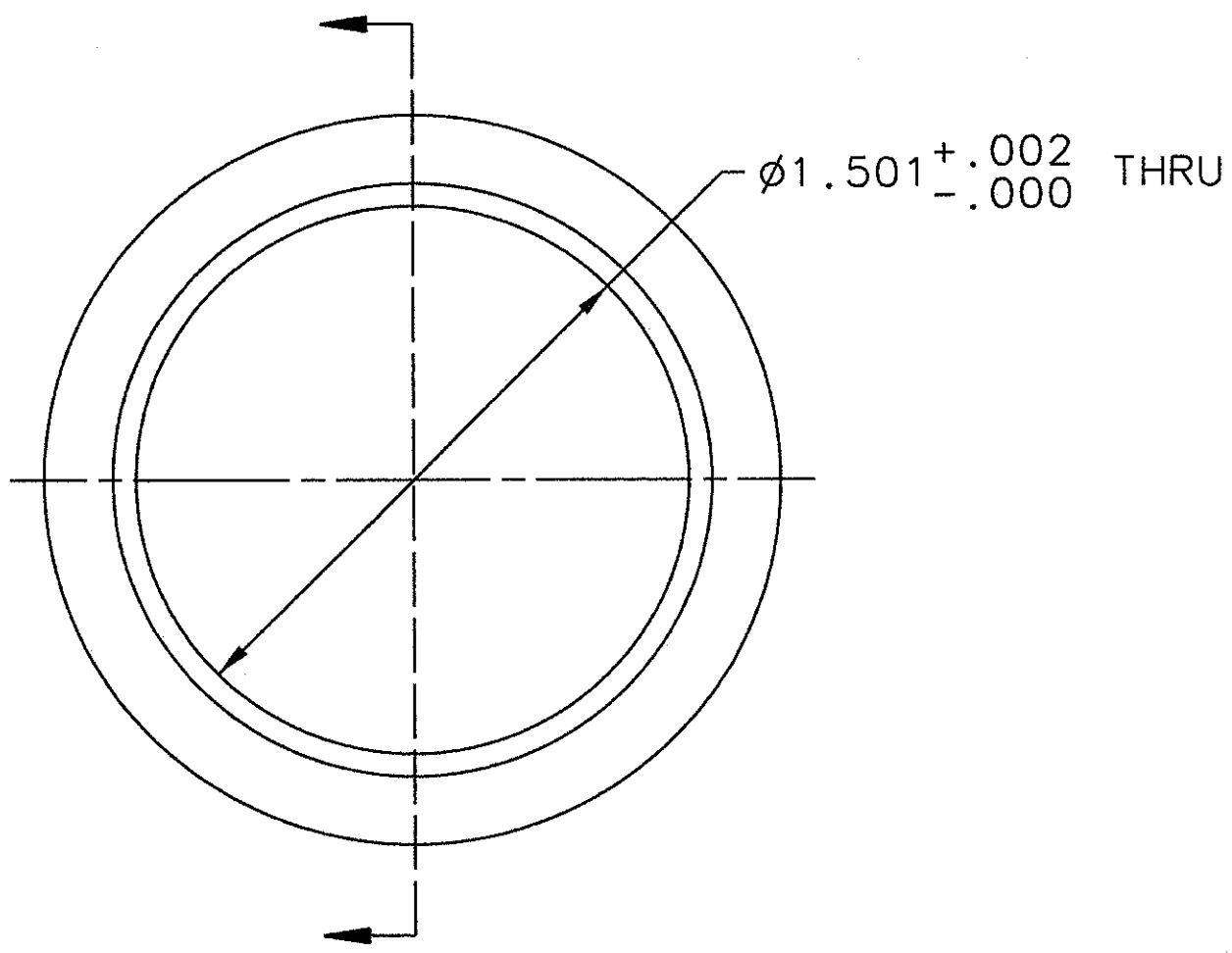


REVISION HISTORY			
REV	DESCRIPTION	DATE	APPROVED



DOCUMENT CONTROL STAMP DCS	DIM & TOL PER ASME Y14.5 UNLESS OTHERWISE SPECIFIED DIMENSIONS ARE IN INCHES TOLERANCES ARE: FRACTIONS DECIMAL ANGLES ±N/A .X ±.1 ±.50° .XX ±.01 .XXX ±.005	TRACKING NO. N/A		United States Department of Energy Jefferson Lab Thomas Jefferson National Accelerator Facility Newport News Virginia
		APPROVALS		
MATERIAL DELIN AF	THIRD ANGLE PROJECTION	DRAWN B. REINHART	28FEB11	DIA DEVICES INSERTION DEVICES HARP/SUPER HARP ISOLATION MOTOR MOUNT - DETAIL
FINISH MACHINED SURFACES 63 UNLESS OTHERWISE NOTED DEBURR & BREAK ALL SHARP EDGES		CHECKED <i>[Signature]</i>	7 APR 11	
DO NOT SCALE DRAWING		APPROVED <i>[Signature]</i>	7 APR 11	SCALE 2:1 USED ON ASSY NO. 01A-007-0200-3000/3001 SHEET 1 OF 1