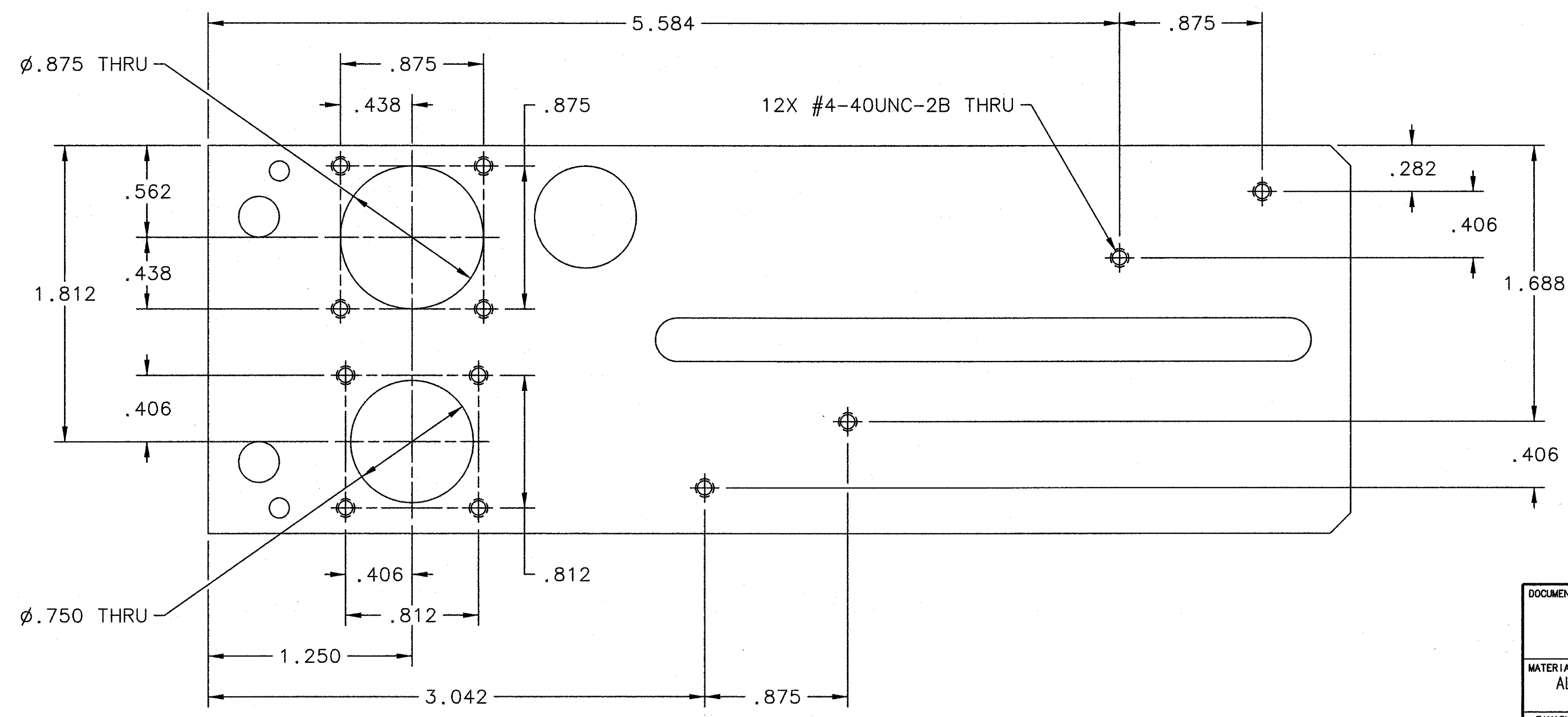
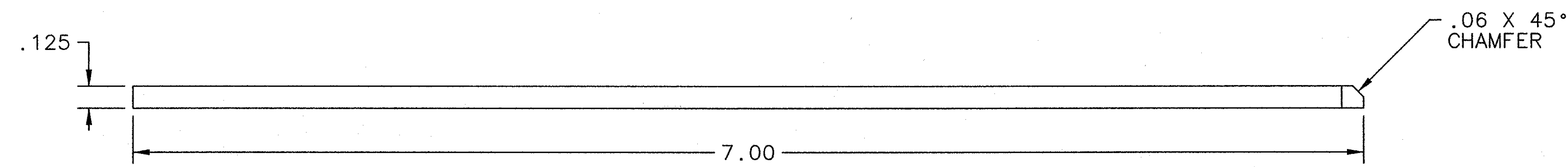
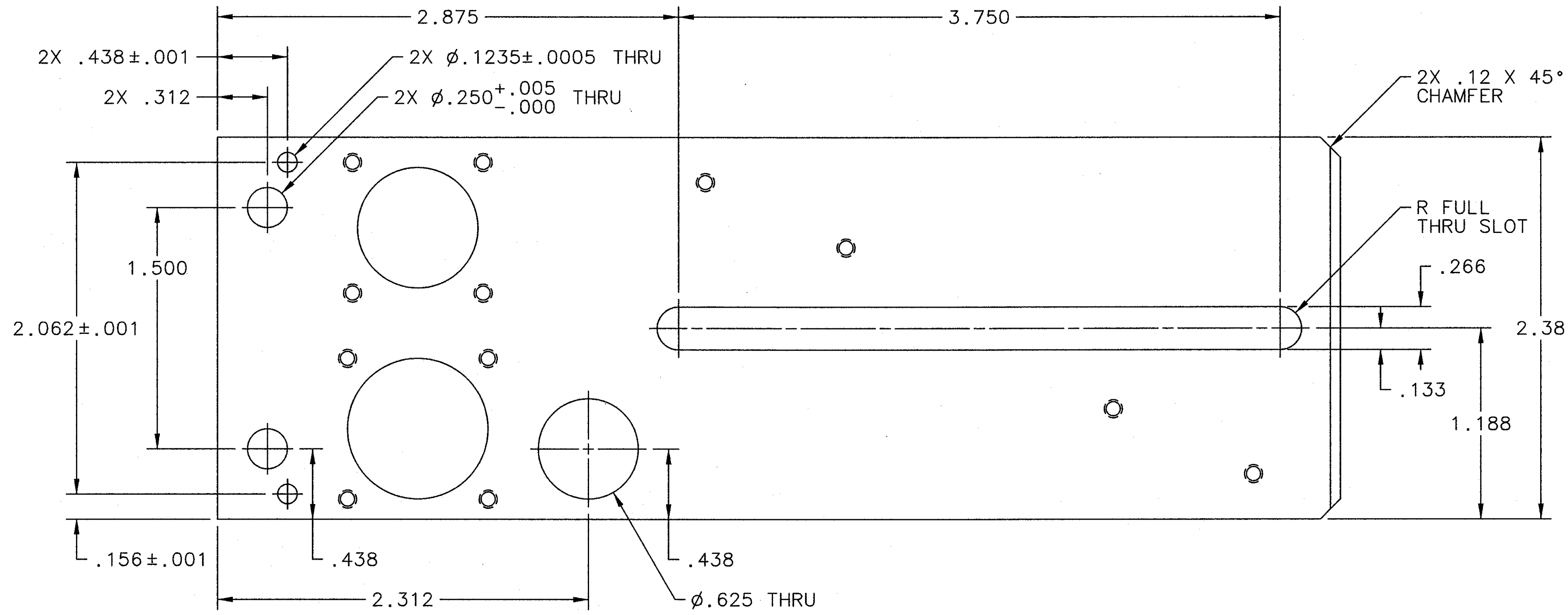


REVISION HISTORY			
ZONE	REV	DESCRIPTION	DATE



NOTES:
 1. FINISHED PART TO BE CHEMICALLY COATED PER MIL-C-5541, CLASS 3, COLOR: GOLD.

DOCUMENT CONTROL DCG	DIM & TOL PER ASME Y14.5 UNLESS OTHERWISE SPECIFIED DIMENSIONS ARE IN INCHES TOLERANCES ARE: FRACTIONS DECIMAL ANGLES ± N/A .X ± .1 ± .50° .XX ± .01 .XXX ± .005	TRACKING NO. N/A		United States Department of Energy Jefferson Lab <small>Thomas Jefferson National Accelerator Facility</small> Newport News Virginia
		APPROVALS	DATE	
MATERIAL ALUMINUM 6061-T6	THIRD ANGLE PROJECTION	DRAWN B. REINHART	28FEB11	DIA DEVICES INSERTION DEVICES SUPER HARP SWITCH MOUNTING PLATE - DETAIL
FINISH MACHINED SURFACES UNLESS OTHERWISE NOTED DEBURR & BREAK ALL SHARP EDGES		CHECKED	7 APR 11	
DO NOT SCALE DRAWING		APPROVED	7 APR 11	
		SCALE 2:1 USED ON ASSY NO. DIA-007-0200-3001 SHEET 1 OF 1		SIZE DWG. NO. D DIA-007-0200-3020 REV. -