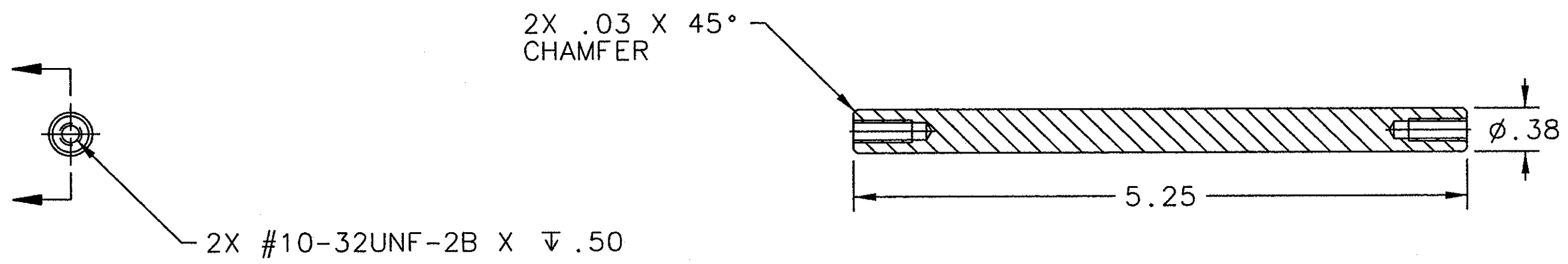


REVISION HISTORY			
REV	DESCRIPTION	DATE	APPROVED



DOCUMENT CONTROL STAMP 	DIM & TOL PER ASME Y14.5 UNLESS OTHERWISE SPECIFIED DIMENSIONS ARE IN INCHES TOLERANCES ARE: FRACTIONS DECIMAL ANGLES ±N/A .X ±.1 ±.50° .XX ±.01 .XXX ±.005	TRACKING NO. N/A		United States Department of Energy Thomas Jefferson National Accelerator Facility Newport News Virginia
		APPROVALS	DATE	
MATERIAL 304 STAINLESS STEEL	THIRD ANGLE PROJECTION	DRAWN B. REINHART	28FEB11	
FINISH MACHINED SURFACES 125 UNLESS OTHERWISE NOTED DEBURR & BREAK ALL SHARP EDGES		CHECKED 	7 APR 11	
DO NOT SCALE DRAWING		EES/CS APPROVED 	7 APR 11	
			APPROVED 	7 APR 11
		SIZE DWG. NO.	REV.	
		B DIA-007-0200-3021	-	
		SCALE 1:1	USED ON ASSY NO. DIA-007-0200-3001	SHEET 1 OF 1