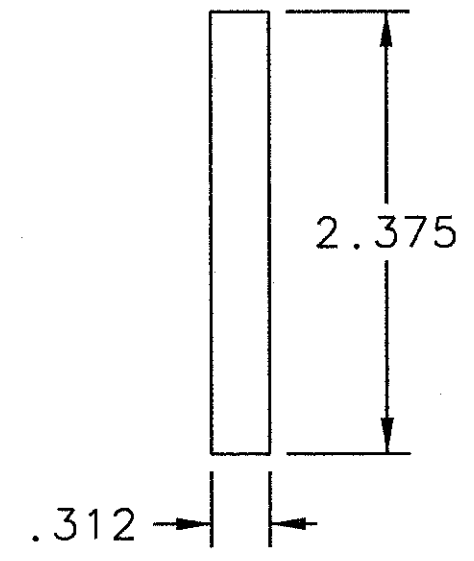
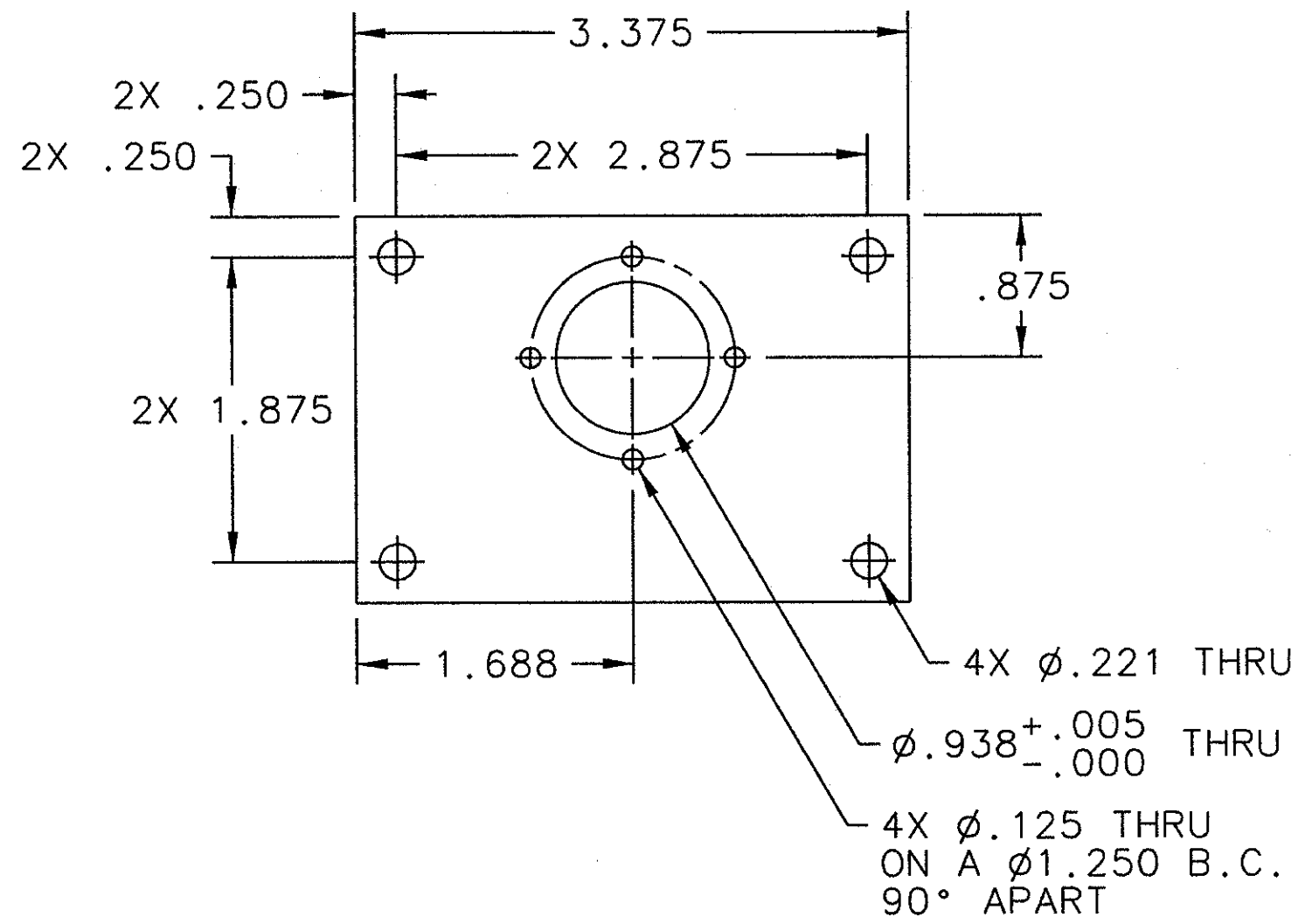


REVISION HISTORY			
REV	DESCRIPTION	DATE	APPROVED



DOCUMENT CONTROL STAMP 	DIM & TOL PER ASME Y14.5. UNLESS OTHERWISE SPECIFIED DIMENSIONS ARE IN INCHES TOLERANCES ARE: FRACTIONS DECIMAL ANGLES ±N/A .X ±.1 ±.50° .XX ±.01 .XXX ±.005	TRACKING NO. N/A		United States Department of Energy	 Thomas Jefferson National Accelerator Facility	Newport News Virginia
		MATERIAL ALUMINUM 6061-T6	FINISH MACHINED SURFACES 32 UNLESS OTHERWISE NOTED DEBURR & BREAK ALL SHARP EDGES	THIRD ANGLE PROJECTION 	APPROVALS DRAWN B. REINHART CHECKED	DATE 28FEB11 7APR11
DO NOT SCALE DRAWING			PHYSICS APPROVED	7APR11	SIZE DWG. NO. B DIA-007-0200-3022	REV. -
			APPROVED	7APR11	SCALE 1:1	USED ON ASSY NO. DIA-007-0200-3001 SHEET 1 OF 1