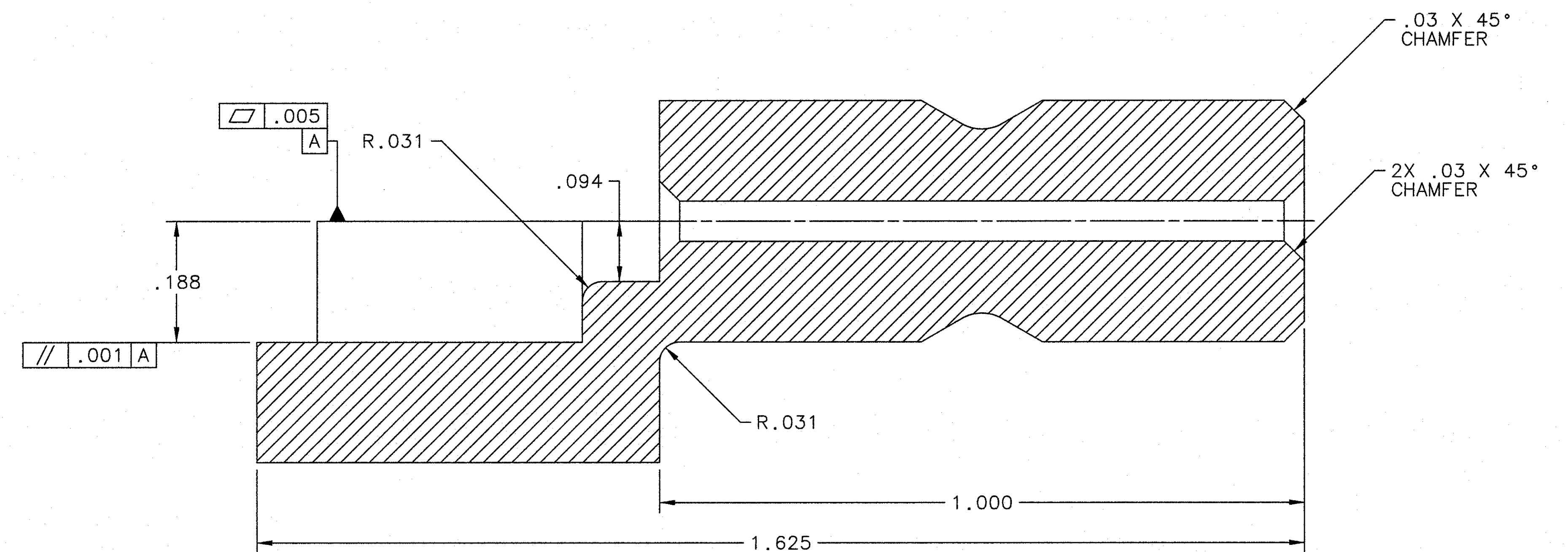
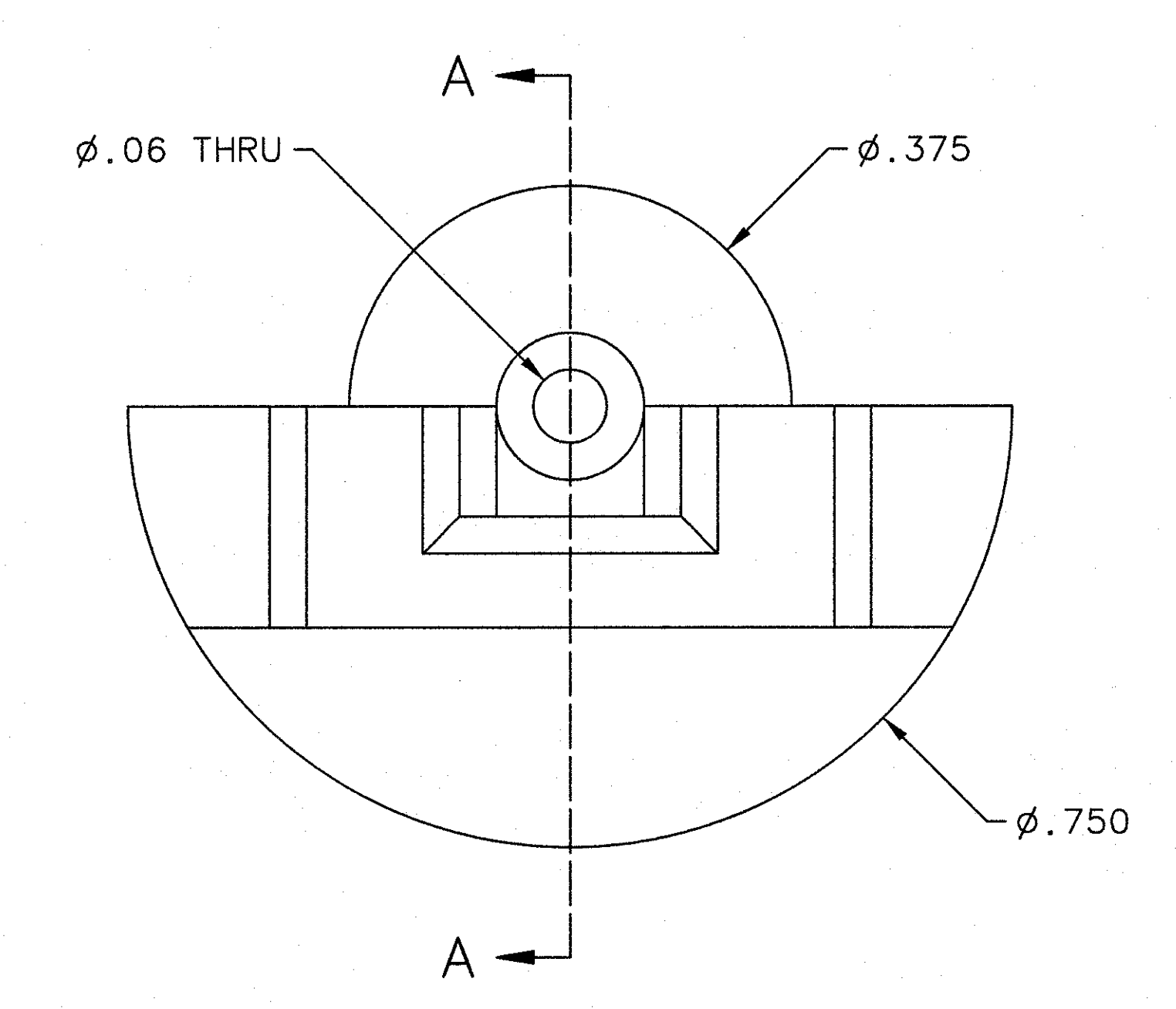
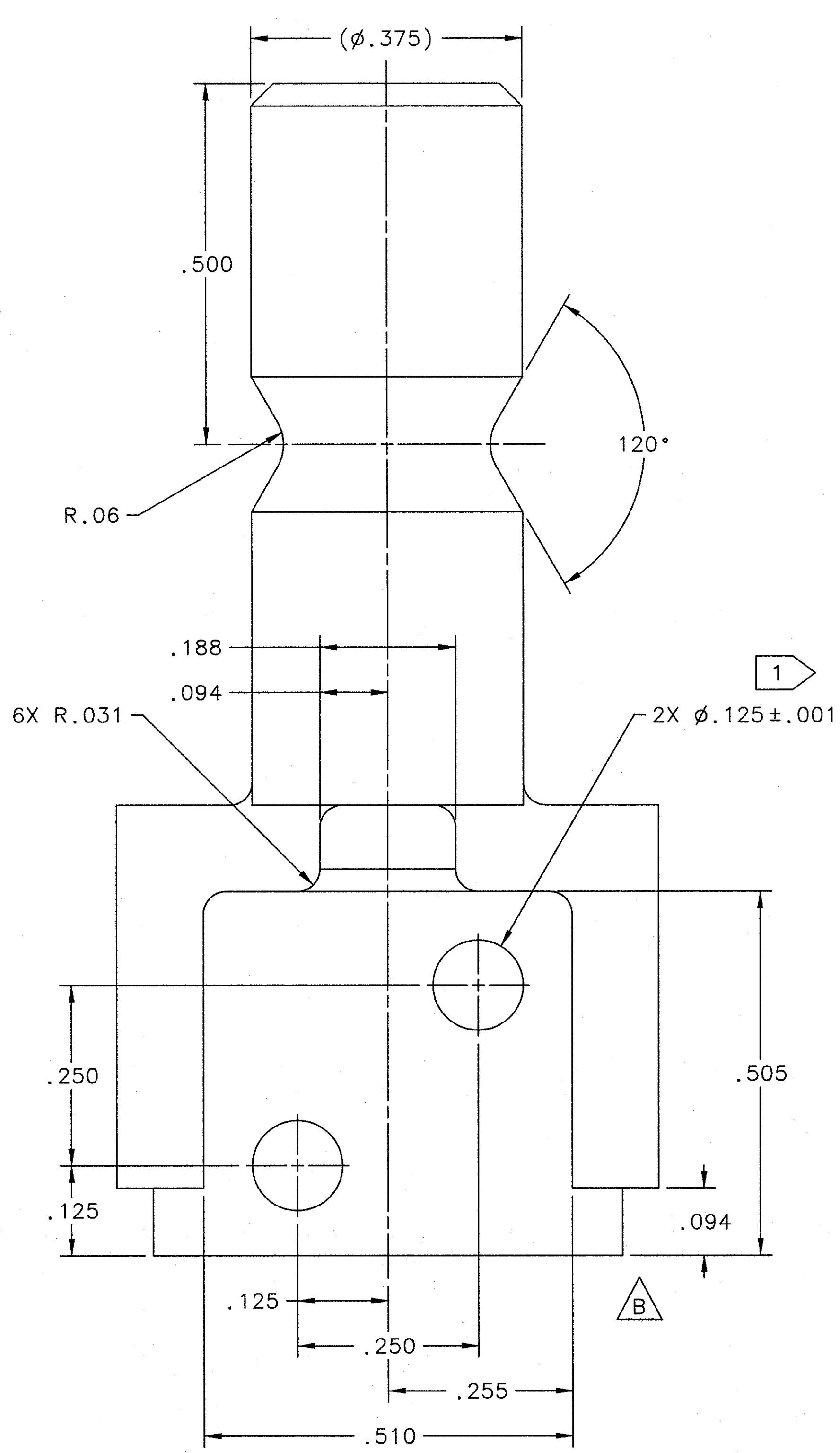
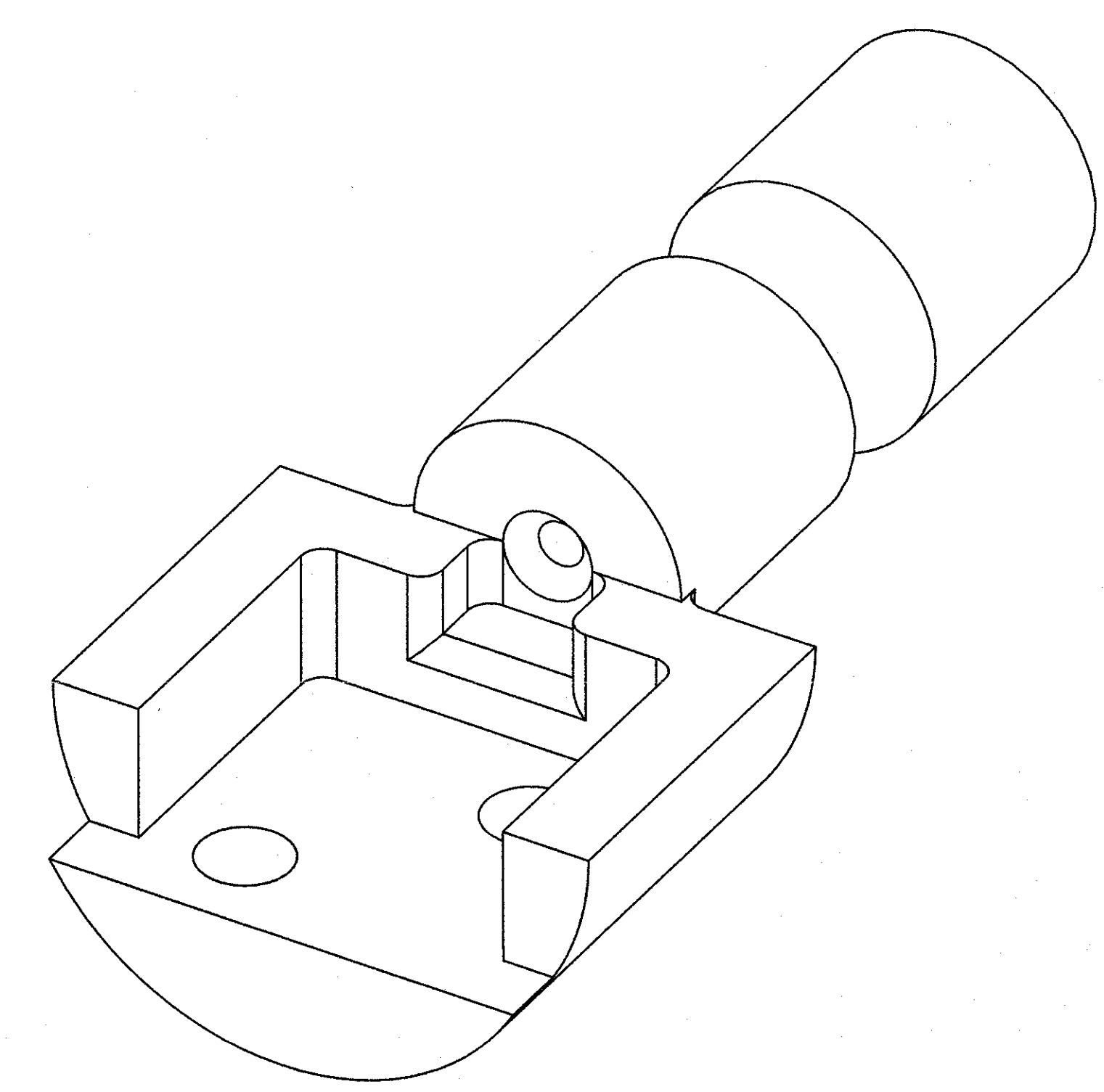


REVISION HISTORY				
ZONE	REV	DESCRIPTION	DATE	APPROVED
A2	A	REVISED TOLERANCE BLOCK.	06/14/11 06/14/11	LADT MLI
D7	B	MATERIAL REMOVED.	8/29/11 8/29/11	<i>[Signature]</i> <i>[Signature]</i>



NOTES:
 1. PRESS FIT ITEM 1 FLUSH WITH SURFACE.

QTY	ITEM NO.	PART OR IDENTIFYING NO.	DESCRIPTION OR SPECIFICATION	MATERIAL	NOTES
2	1	McMASTER CARR PN 92394A111	THREADED INSERT, PRESS FIT, #2-56 X.156 LC	18-8 STAINLESS STEEL	1

DOCUMENT CONTROL STAMP

UNITED STATES DEPARTMENT OF ENERGY
Jefferson Lab
 Jefferson National Accelerator Facility
 Newport News, Virginia

DIA DEVICES INSERTION DEVICES
 HARP/SUPER HARP FLAG ADAPTER - DETAIL

DATE: 08JUN11
 DRAWN BY: B. REINHART
 CHECKED BY: S. WORTHINGTON
 APPROVED BY: M. IVANCO
 APPROVED BY: L.A. DILLON-TOWNES

SCALE: 8:1
 SHEET 1 OF 1