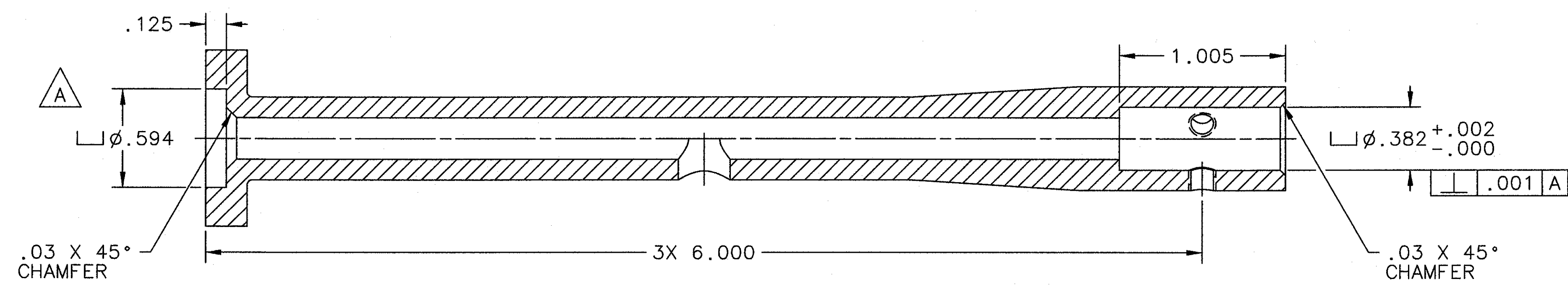
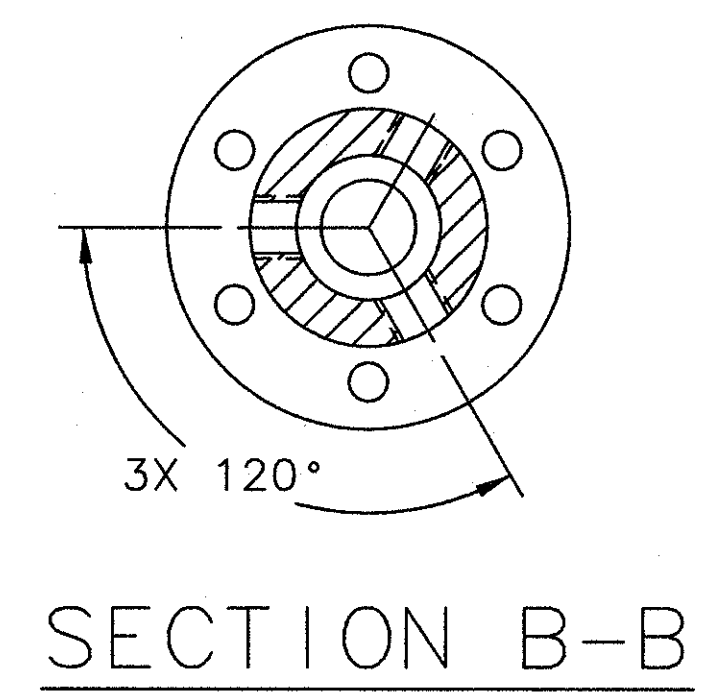
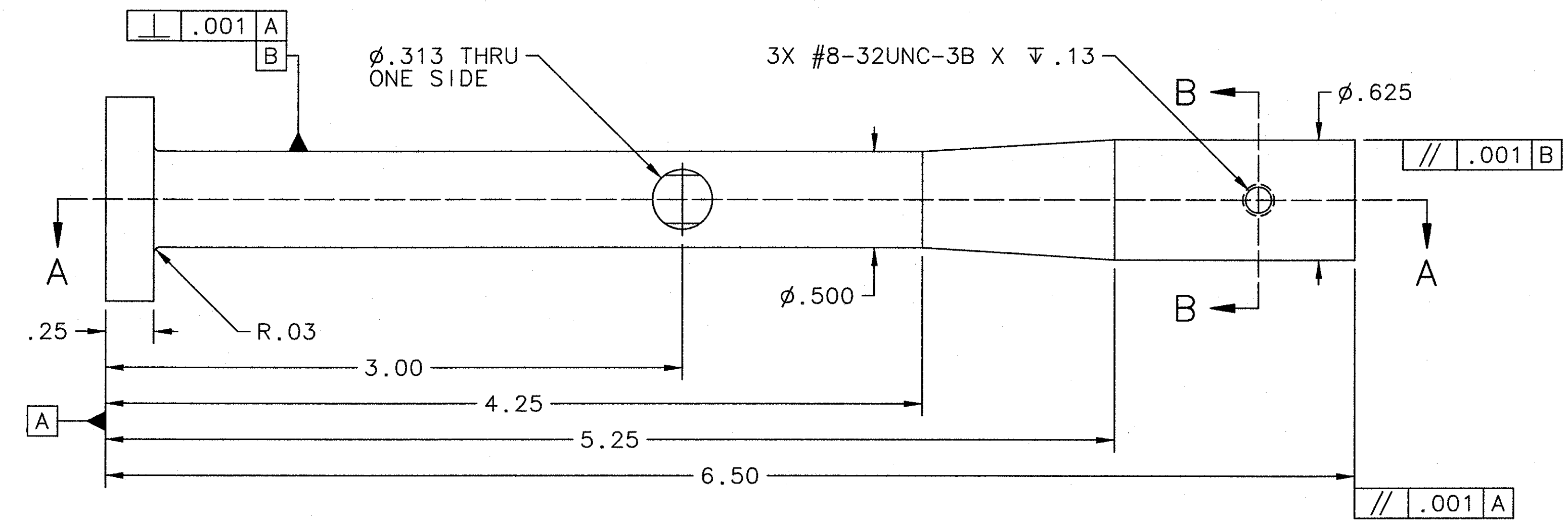
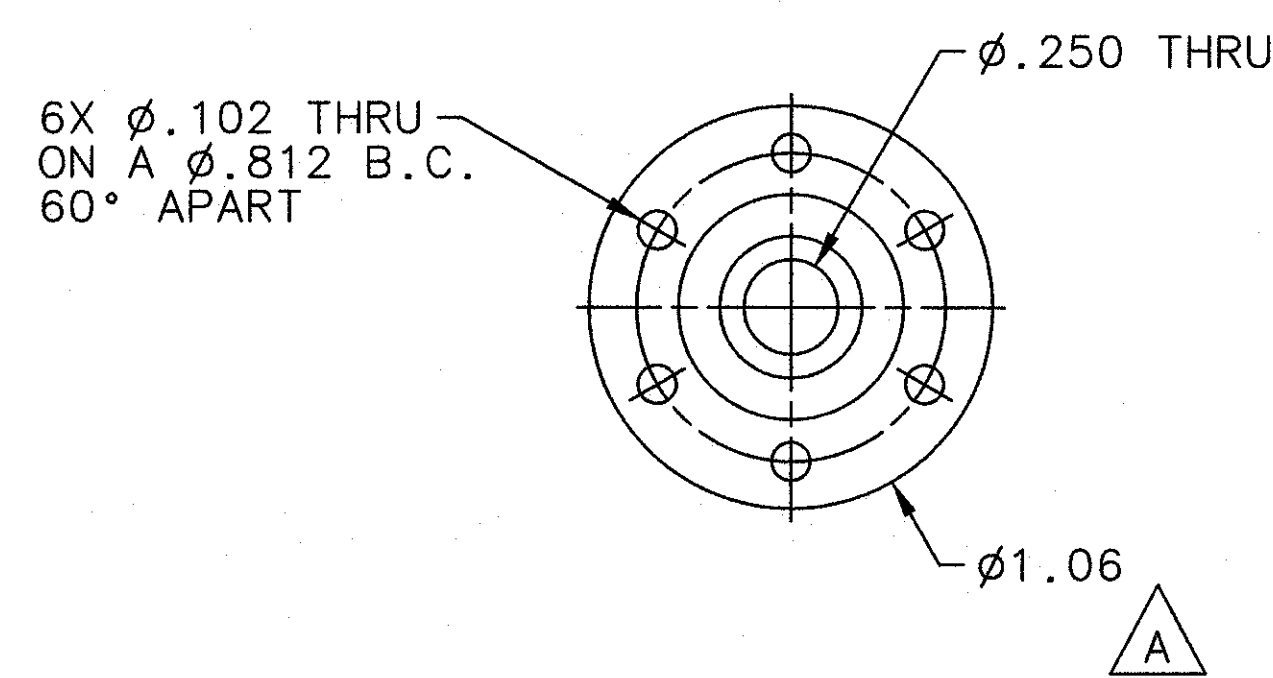


REVISION HISTORY				
ZONE	REV	DESCRIPTION	DATE	APPROVED
C6		MODIFIED COUNTERBORED DIAMETER.	9/1/11	<i>[Signature]</i>
B7	A	MODIFIED OUTSIDE DIAMETER.	9/1/11	<i>[Signature]</i>

BJR 08/30/11



SECTION A-A



SECTION B-B

DOCUMENT CONTROL STAMP 	DIM & TOL PER ASME Y14.5 - UNLESS OTHERWISE SPECIFIED DIMENSIONS ARE IN INCHES TOLERANCES ARE: FRACTIONS DECIMAL ANGLES ± N/A .XX ± .01 ± .50° .XXX ± .005	TRACKING NO. N/A		United States Department of Energy Jefferson National Accelerator Facility Newport News Virginia	
		APPROVALS	DATE		DIA DEVICES INSERTION DEVICES HARP/SUPER HARP FLAG BOLTED SHAFT - DETAIL
MATERIAL 6061-T6 ALUMINUM	THIRD ANGLE PROJECTION	DRAWN B. REINHART CHECKED S. WORTHINGTON APPROVED M. IVANCO APPROVED L.A. DILLON-TOMNES	25MAY11 09JUN11 09JUN11 09JUN11	SIZE DWG. NO. D DIA-007-0200-3024	
FINISH MACHINED SURFACES UNLESS OTHERWISE NOTED DEBURR & BREAK ALL SHARP EDGES		DO NOT SCALE DRAWING	SCALE 2:1 SHEET 1 OF 1		