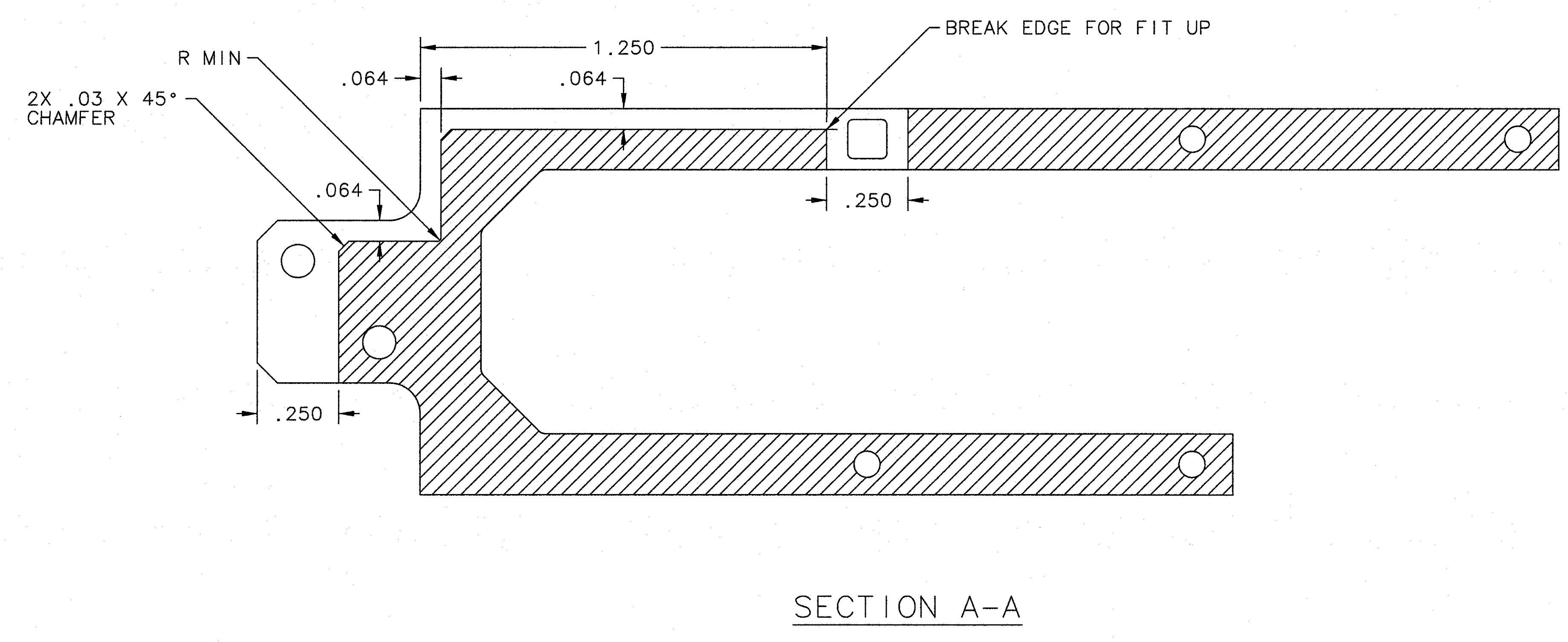
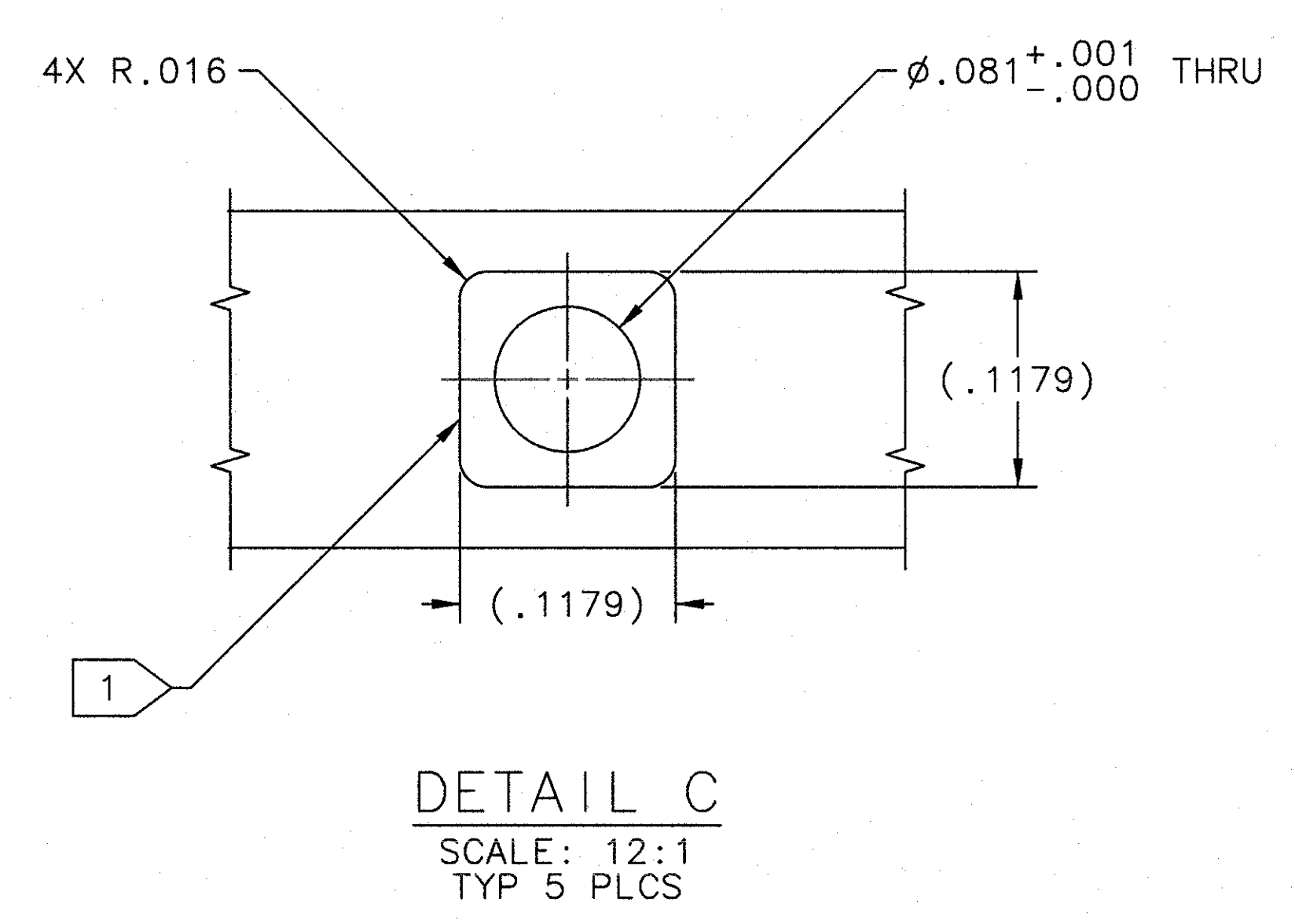
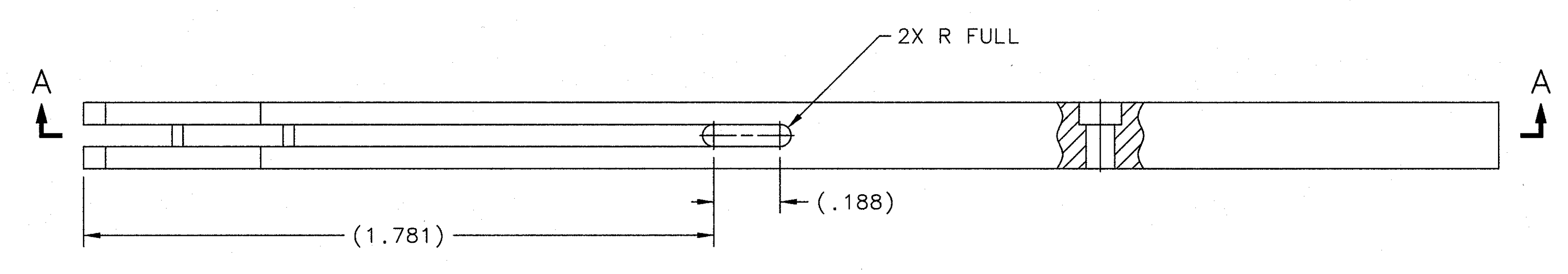
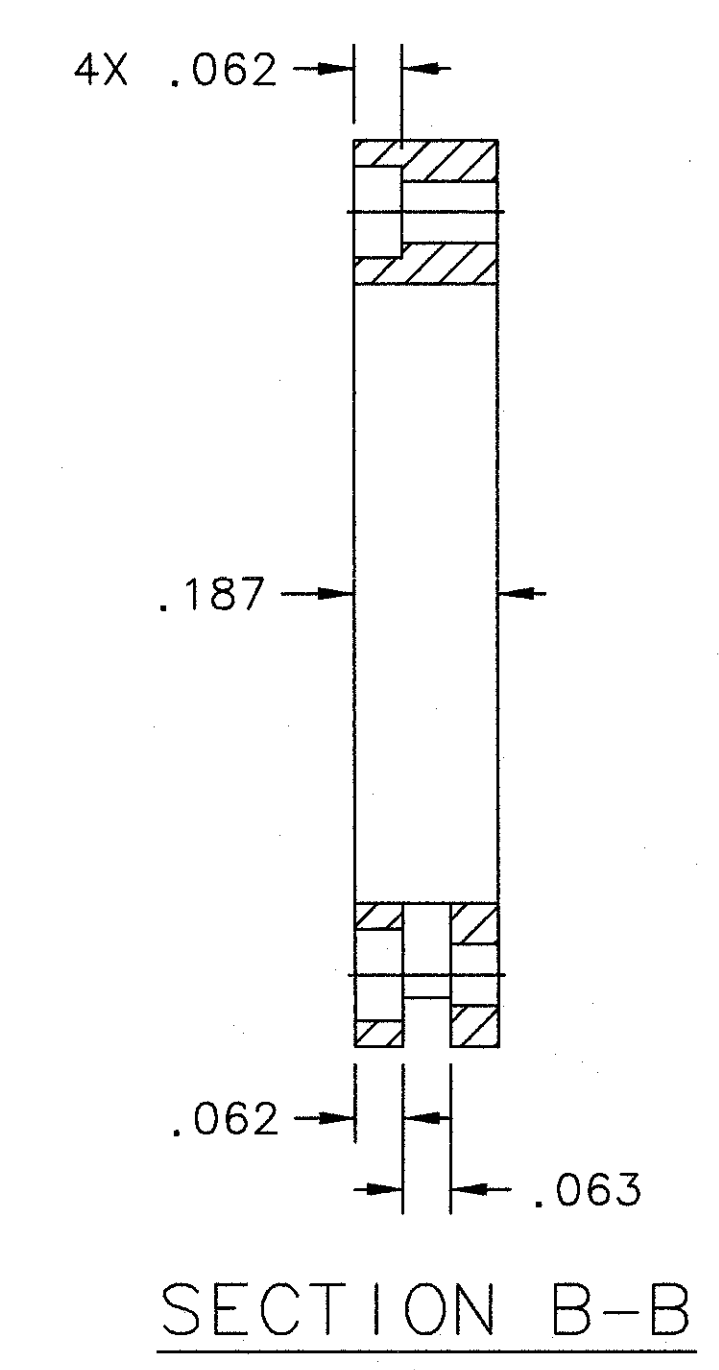
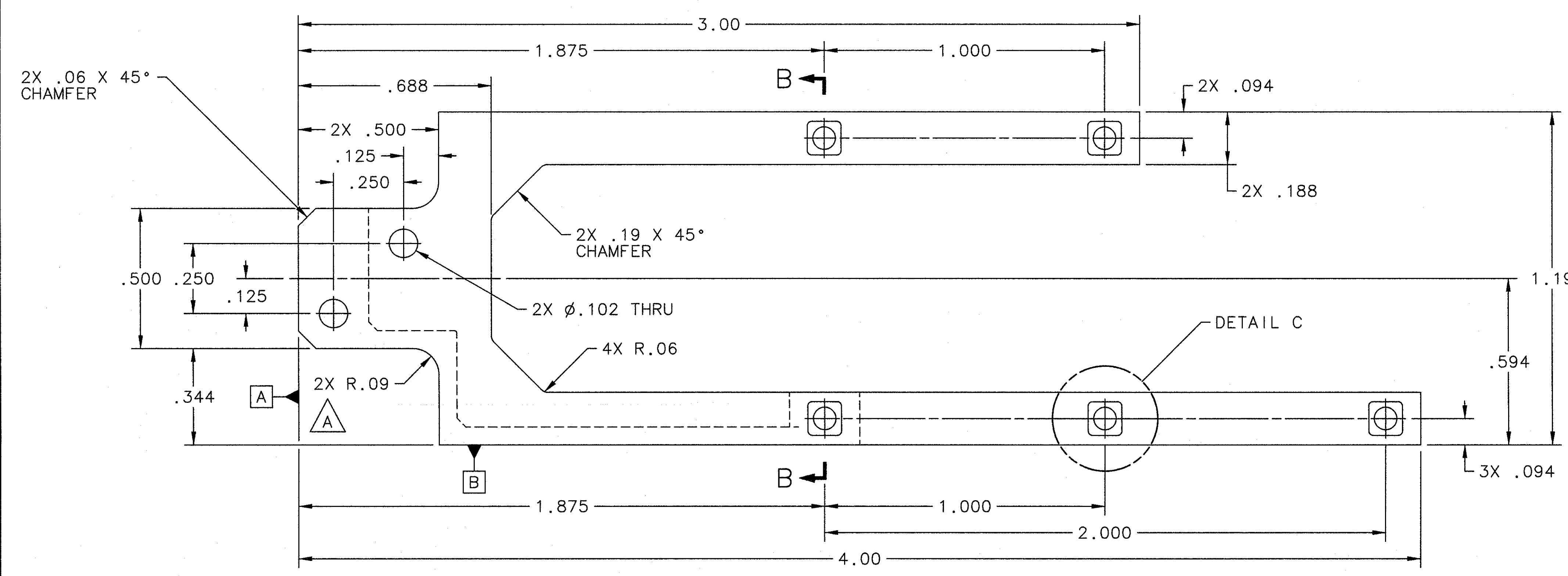
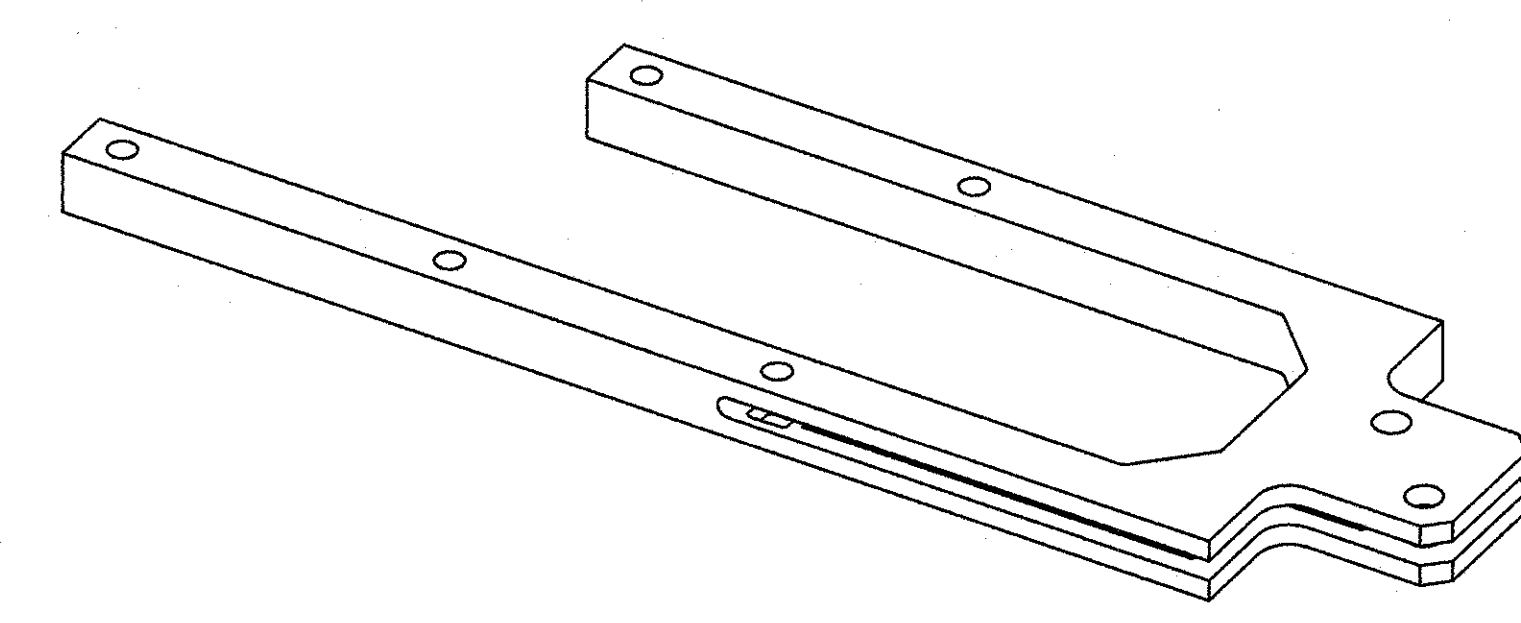


REVISION HISTORY				
ZONE	REV	DESCRIPTION	DATE	APPROVED
F7		ADDED CALLOUT DIMENSION FOR RADIUS.	8/29/11	<i>[Signature]</i>
A3	A	CHANGE MATERIAL TYPE.	8/29/11	<i>[Signature]</i>

BJR 08/19/11



NOTES:
 1. SQUARE HOLE SHOULD BE MACHINED TO HAVE A RC 4 SLIP FIT WITH M2 SQUARE HEAD CUSTOM BOLT (DIA0070200-3036).

DOCUMENT CONTROL STAMP		EACH SHEET OF MULTI-SHEET DRAWINGS SHALL ALWAYS HAVE THE SAME REVISION LEVEL.	
MATERIAL TECHTRON	FINISH MACHINED SURFACES UNLESS OTHERWISE NOTED DEBUR & BREAK ALL SHARP EDGES	TRACKING NO. N/A	United States Department of Energy Jefferson Lab Newport News Virginia
		THIRD ANGLE PROJECTION	DIA DEVICES INSERTION DEVICES HARP/SUPER HARP HALF SLOTTED LEG FORK BODY - DETAIL
APPROVED L.A. DILLON-TOMES	DATE 14JUN11	APPROVALS S. WORTHINGTON B. REINHART	DATE 14JUN11 03JUN11
DO NOT SCALE DRAWING	SCALE 4:1	SIZE 10	REV. A

DIA-007-0200-3028 SHEET 1 OF 1