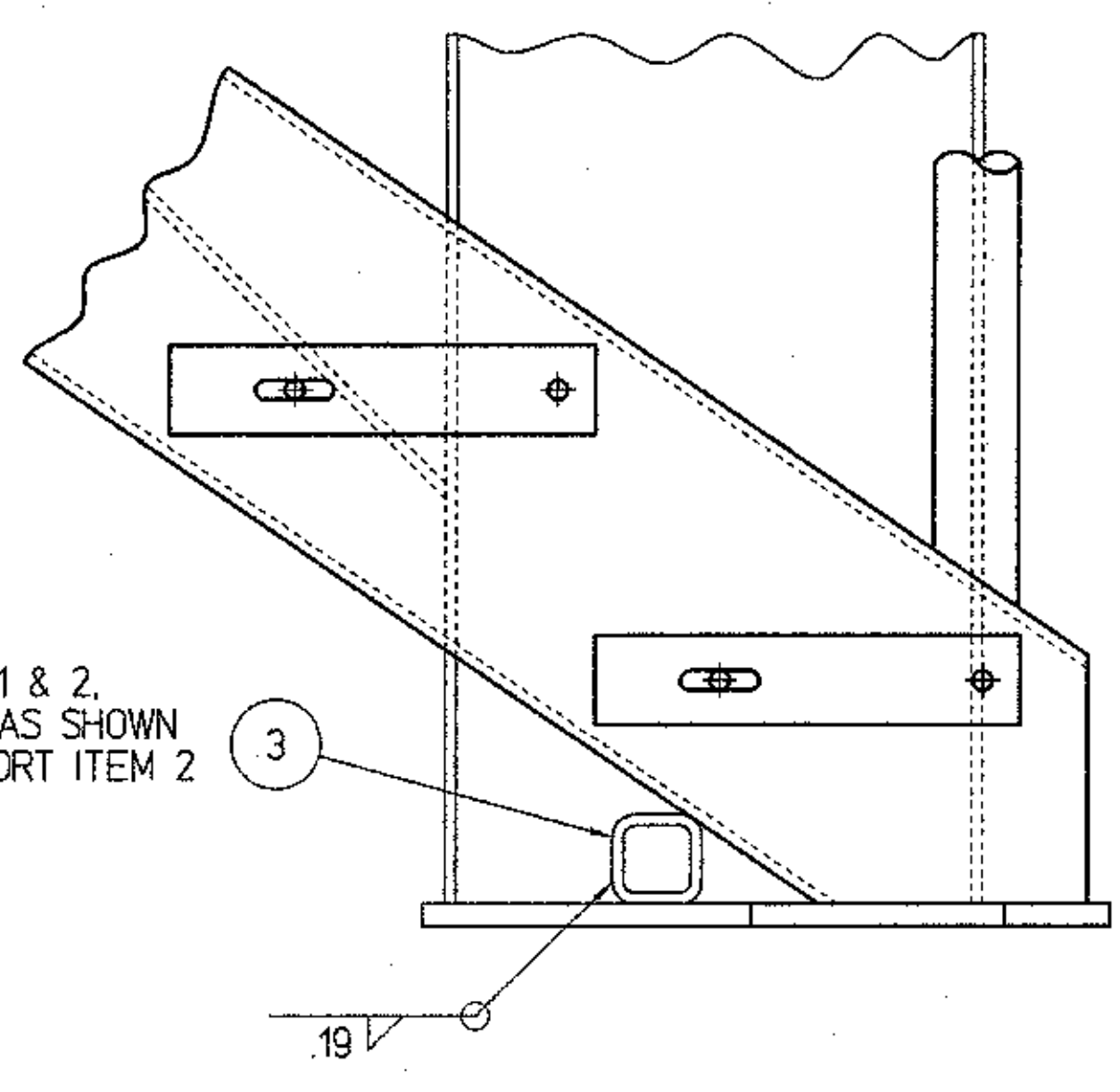
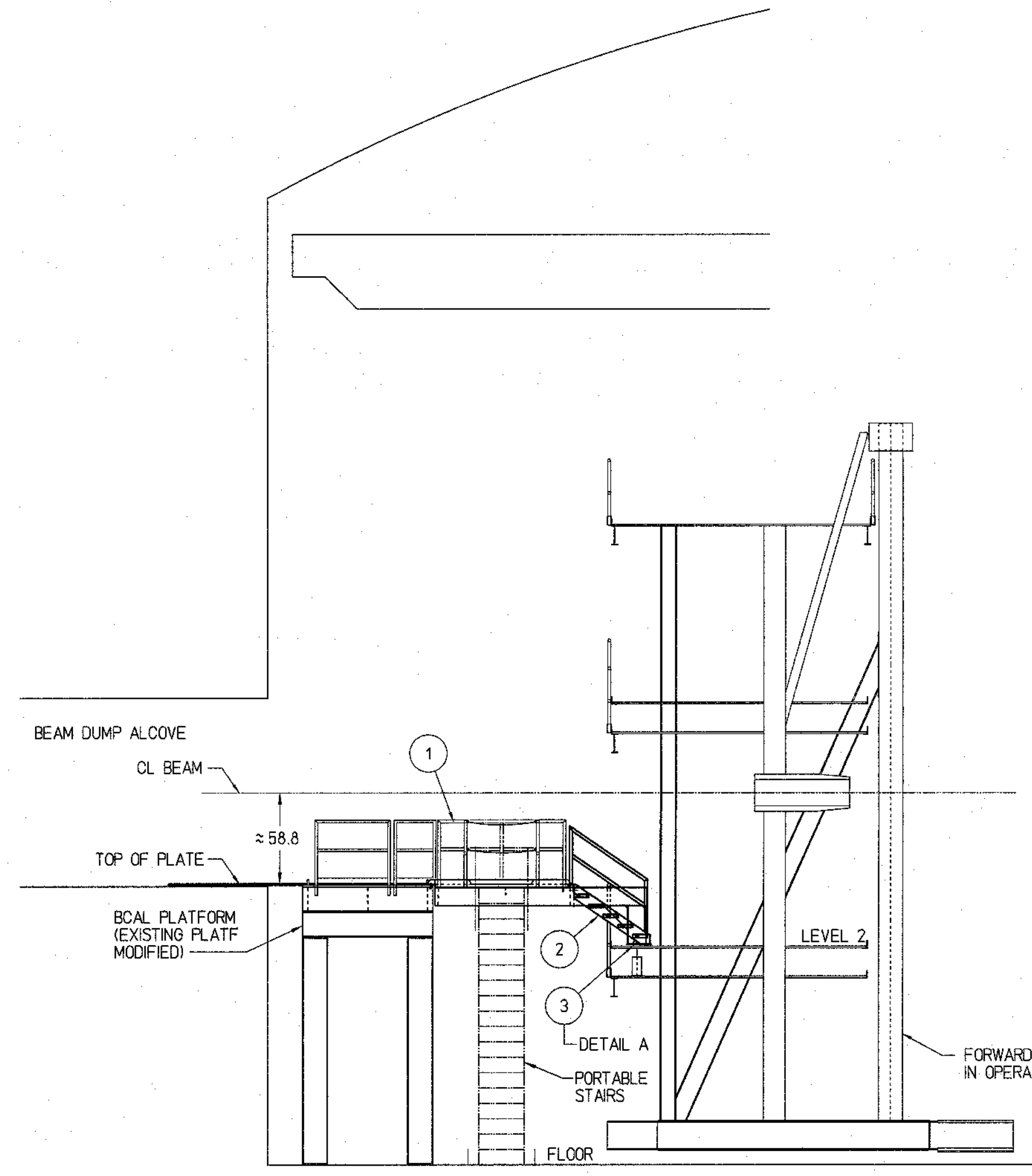


REVISIONS				
ZONE	REV	DESCRIPTION	DATE	APPROVED

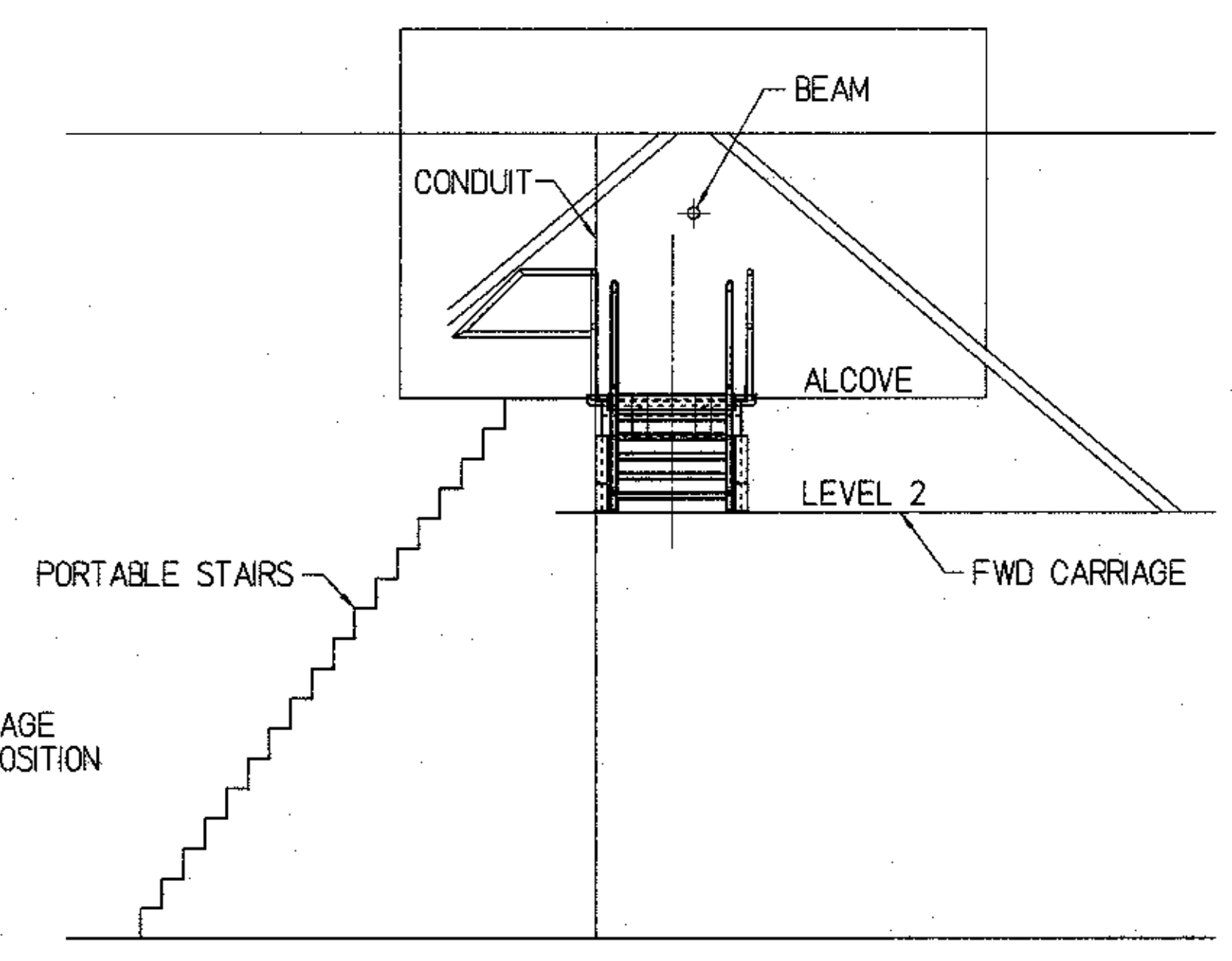
AT ASSEMBLY OF ITEMS 1 & 2.  
WELD ITEM 3 TO ITEM 1 AS SHOWN  
BETWEEN LEGS TO SUPPORT ITEM 2  
DURING HANDLING.



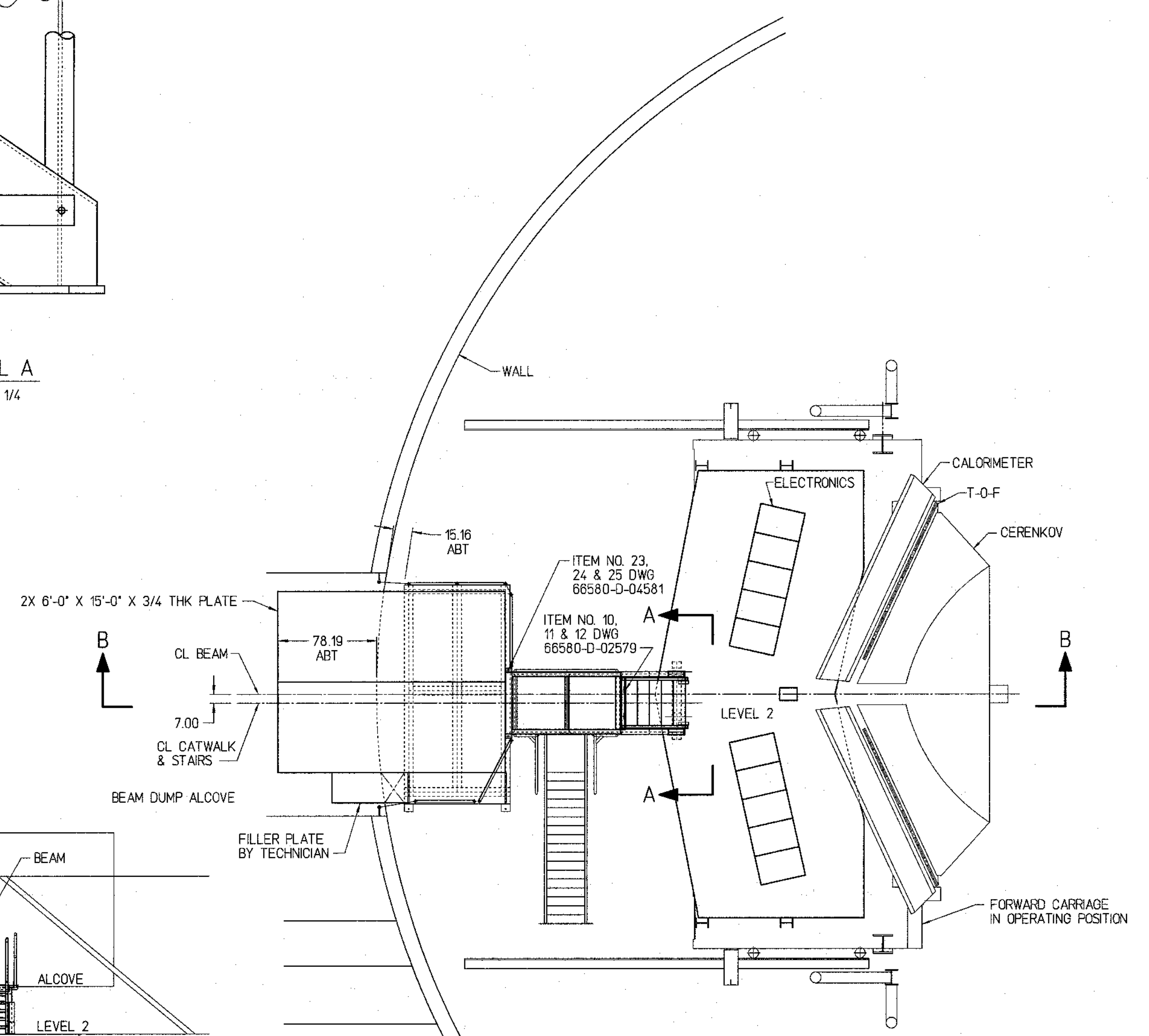
DETAIL A  
SCALE: 1/4



SECTION B-B



SECTION A-A



HALL B  
PLAN VIEW

ITEM NO.	QTY	DESCRIPTION	MATERIAL	NOTES
1	3	SQUARE STRUCTURAL TUBING 2 X 1/4 WALL, LG= 45.75	STEEL ASTM A500	
1	2	66580-D-02579	ALCOVE ACCESS STAIRS	
1	1	66580-E-04581	ALCOVE ACCESS CATWALK	

ITEM NO.	QTY	DESCRIPTION	MATERIAL	NOTES
-01 ASSY				
PARTS LIST				

<small>UNLESS OTHERWISE SPECIFIED DIMENSIONS ARE IN INCHES TOLERANCES ARE FRACTIONS DECIMAL ANGLES * NA ** &amp; NA * NA *** &amp; NA</small>	<small>CADD I.D. NO. 7/10/06/Printer/66000 /4500/66580E04582</small>	<small>APPROVALS</small> <small>DATE</small>	<small>Thomas Jefferson National Accelerator Facility</small> <small>NEWPORT NEWS, VIRGINIA</small> <small>UNITED STATES DEPARTMENT OF ENERGY</small>
<small>MATERIAL</small> SEE PARTS LIST	<small>DRAWN</small> P. R. HEMLER	<small>DATE</small> 7-11-06	<small>CLASS</small> FORWARD CARRIAGE ALCOVE ACCESS CATWALK & STAIRS ARRANGEMENT FOR BCAL TEST
<small>FINISH</small> UNLESS NOTED OTHERWISE	<small>CHECKED</small> [Signature]	<small>DATE</small> 7/18/06	<small>SIZE</small> E
<small>DESIGNER &amp; BREAK ALL SHARP EDGES</small>	<small>APPROVED</small> [Signature]	<small>DATE</small> 7/18/06	<small>SIZE</small> 1/48
<small>DO NOT SCALE DRAWING</small>	<small>DATE</small> 7/18/06	<small>DATE</small> 7/18/06	<small>SIZE</small> 1/48

66580-E-04582 1 REV 1