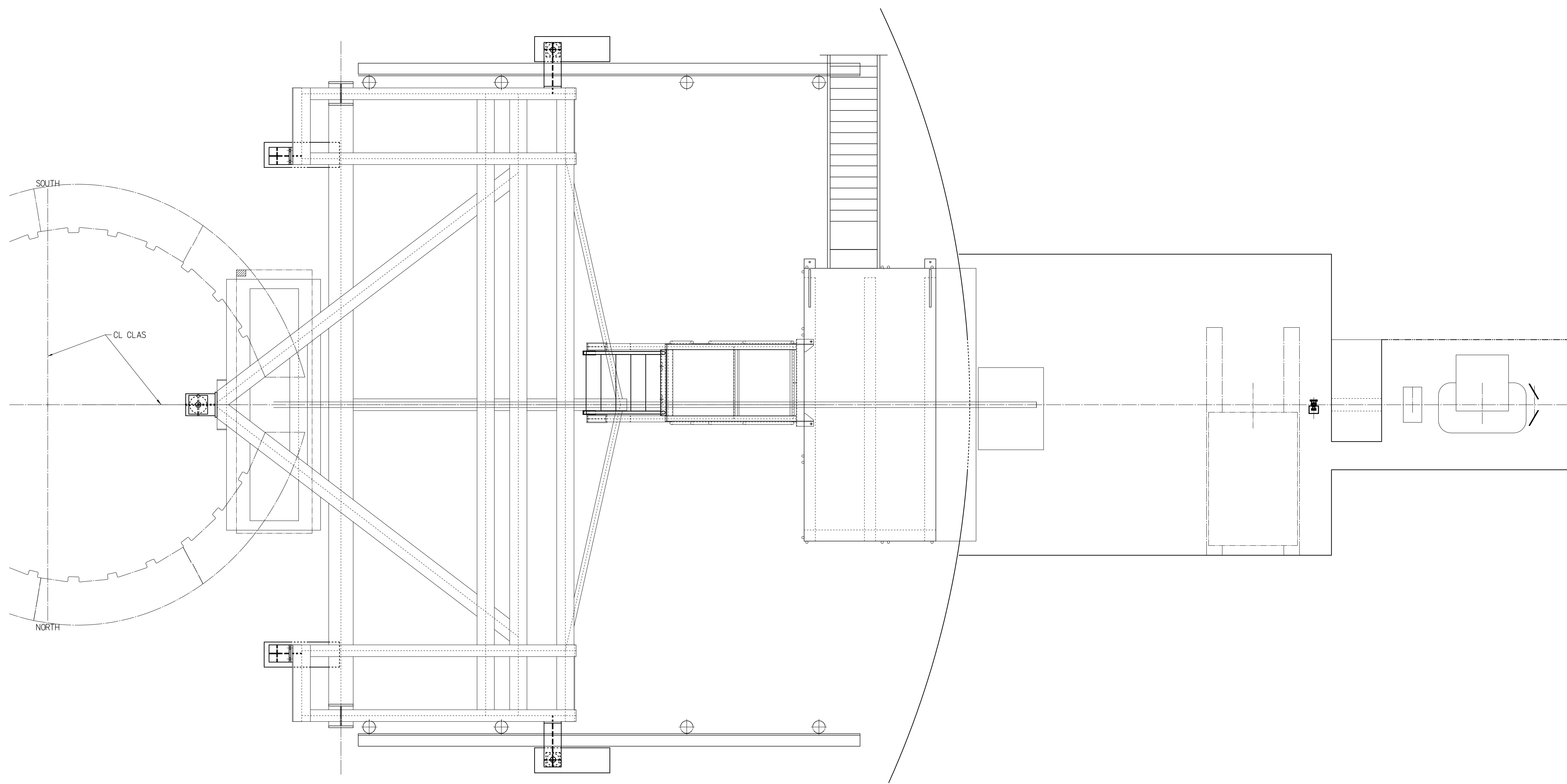


REVISION HISTORY				
ZONE	REV	DESCRIPTION	DATE	APPROVED



DOCUMENT CONTROL STAMP		EACH SHEET OF A MULTI-SHEET DRAWING SHALL ALWAYS CARRY THE SAME REVISION LEVEL	
DWG & TOL PERT ASSEMBLIES UNLESS OTHERWISE SPECIFIED DIMENSIONS ARE IN INCHES TOLERANCES ARE: FRACTIONS DECIMAL ANGLES + N/A X + N/A + N/A XX + N/A XXX + N/A		TRACKING NO /wbs/6/zarecky/66000 /4400/66840e04430_03	
MATERIAL	N/A	APPROVALS	DATE
FINISH	N/A	DRAWN	6/29/06
MACHINED SURFACES	N/A	CHECKED	
DESIGN & BREAK	ALL SHARP EDGES	APPROVED	
DO NOT SCALE DRAWING		APPROVED	
		THIRD ANGLE PROJECTION	
		Thomas Jefferson National Accelerator Facility UNITED STATES DEPARTMENT OF ENERGY HALL B CLAS BEAM LINE ASSEMBLY FROM TAGGER MAGNET THRU FWD CARRIAGE FOR TPE TEST (eg5a) SIZE DWG. NO. 66840-E-04430 REV - SCALE 1/24 (SEE IN ASS'Y) SHEET 3 OF 4	