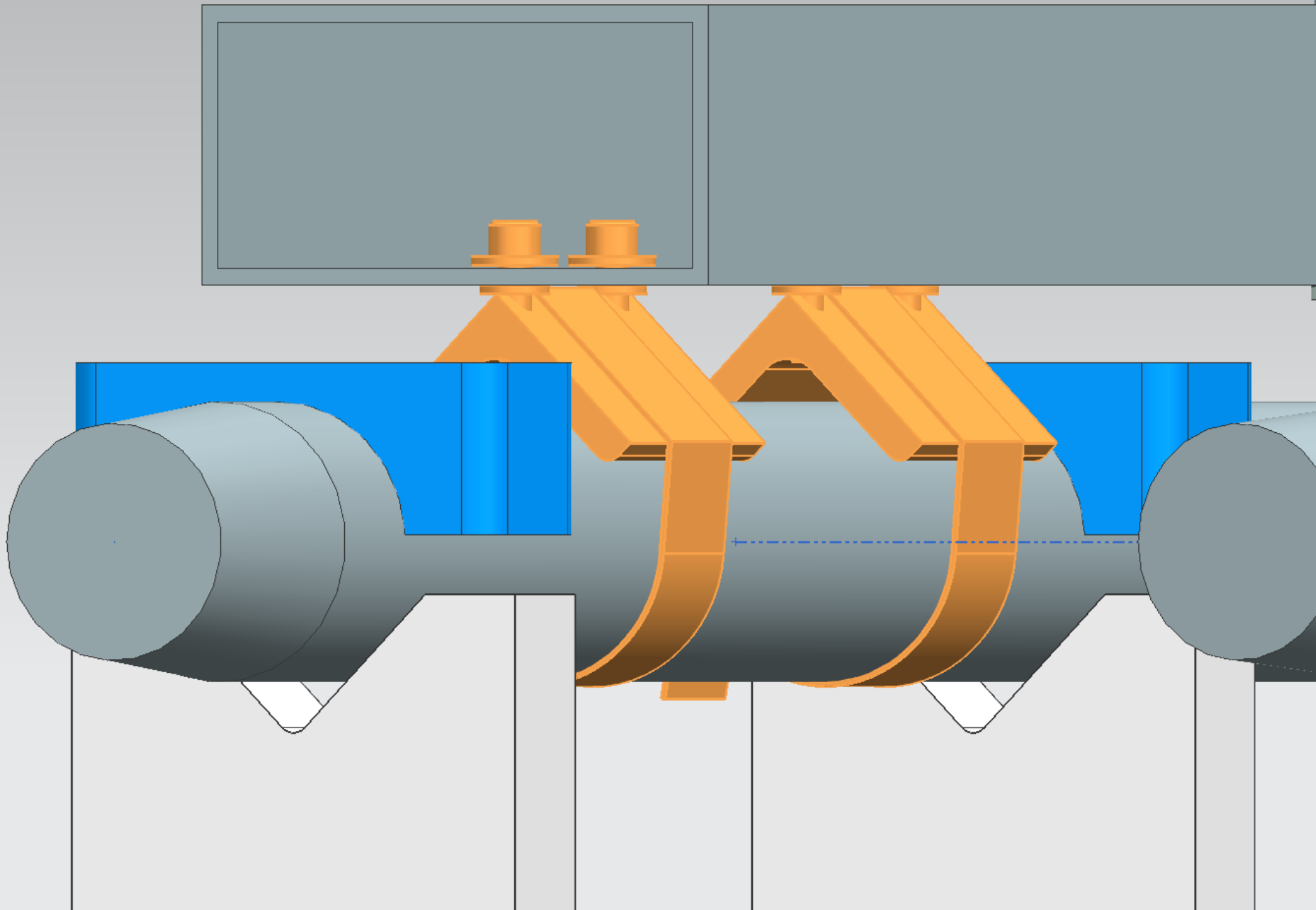
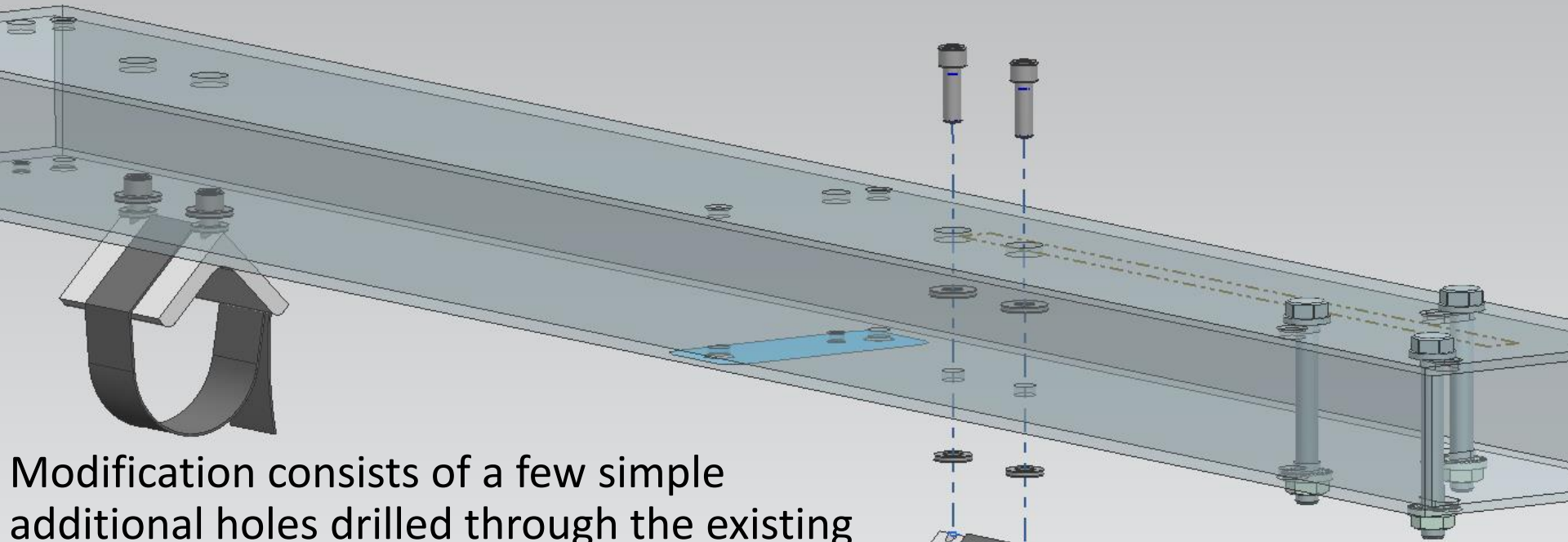


# CTOF Transportation Strongback



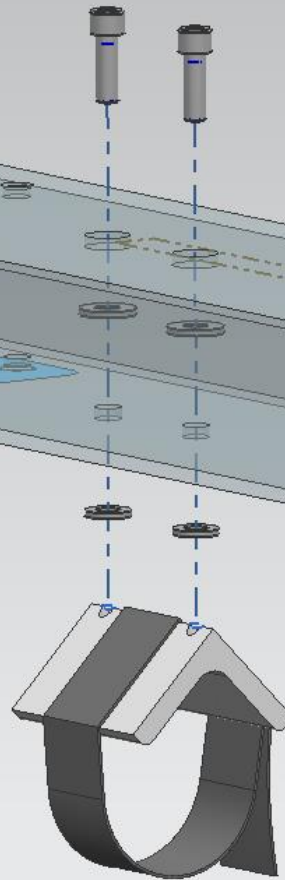


Modification consists of a few simple additional holes drilled through the existing assembly Pieces.

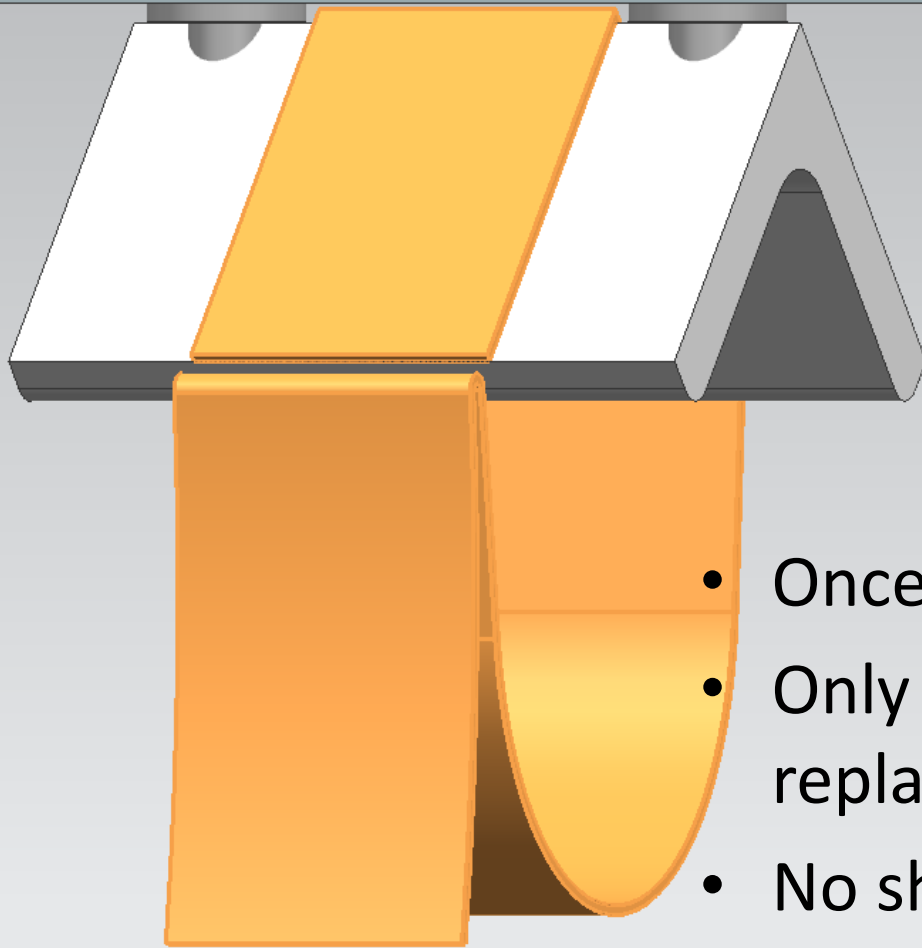
“Saddles” are standard angle, cut & drilled. An afternoon garage job at best.

Straps are cheap stock from McMaster-Carr.

Additional holes drilled down the length of the part allows the saddles to be relocated if needed.







- Once Assembled (one-time-event),
- Only the straps are removed and replaced
- No sharp-threaded bolts or edgy clamps