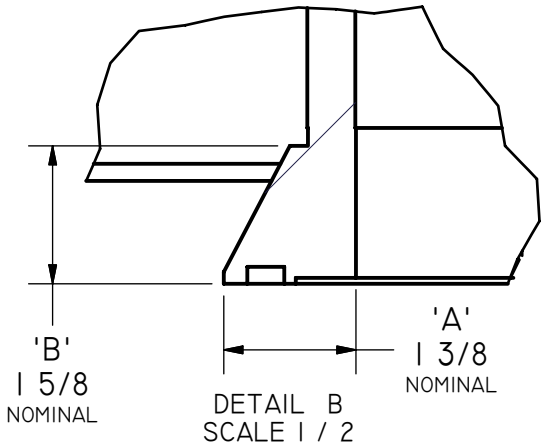
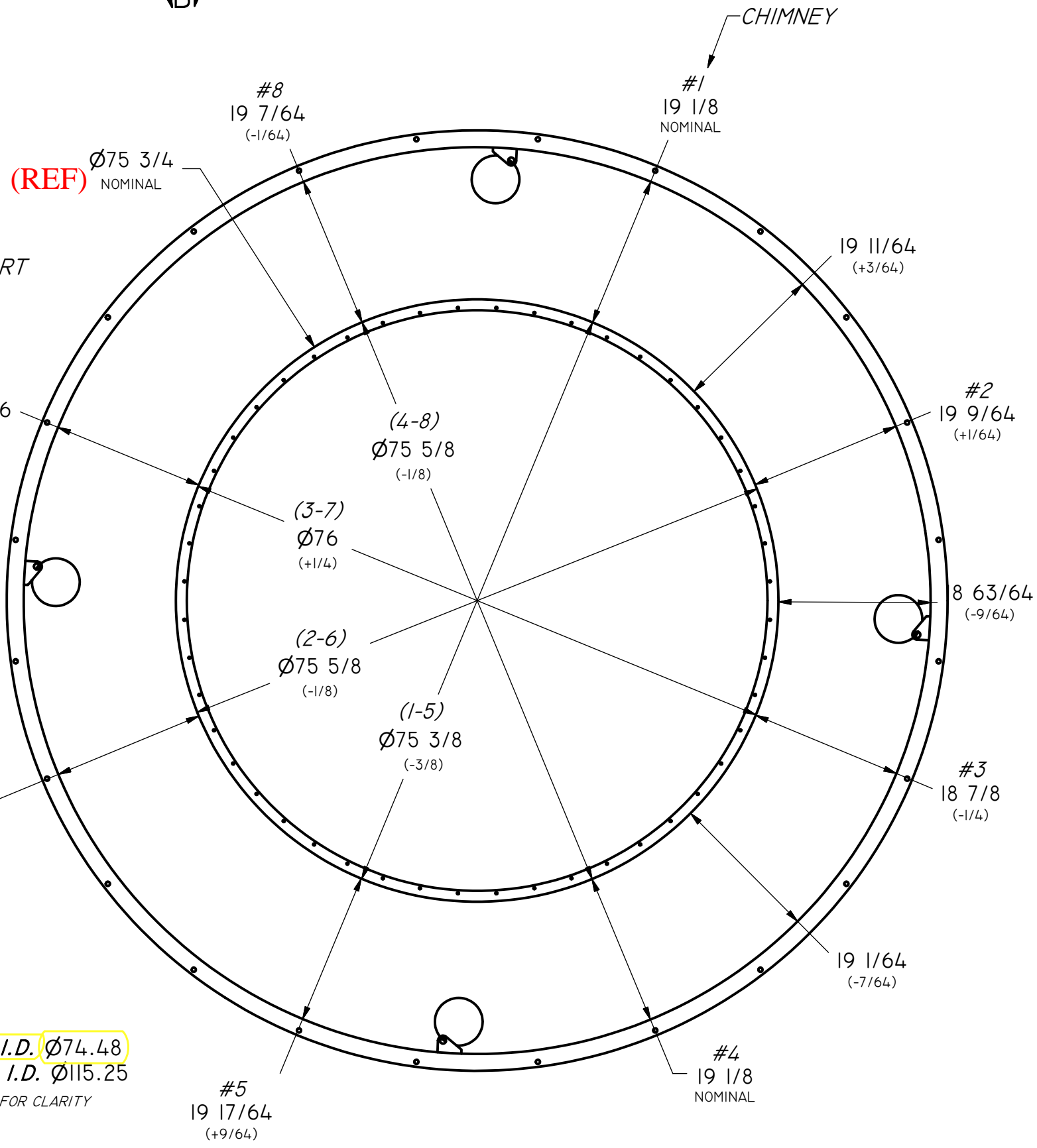
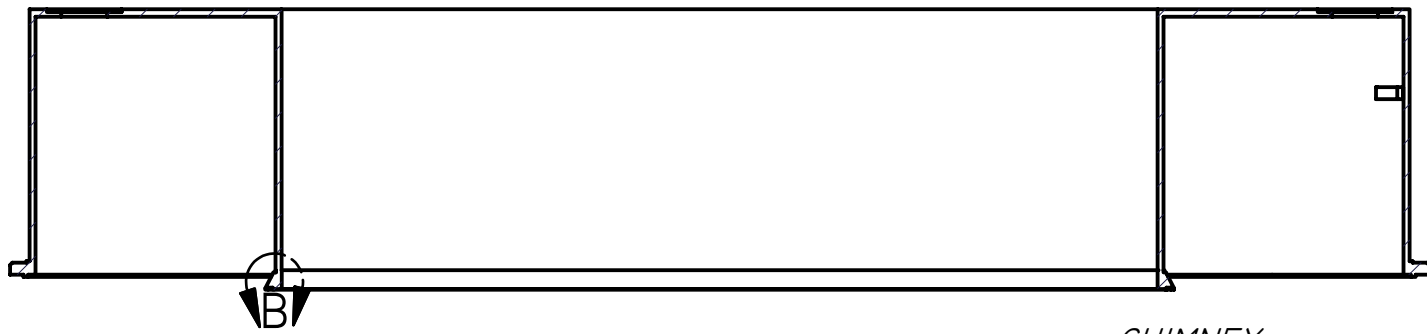


4 3 2 1



PT.	'A'	'B'
#1	1.37	1.62
#2	1.36	1.63
#3	1.38	1.66
#4	1.40	1.70
#5	1.37	1.74
#6	1.41	1.79
#7	1.44	1.79
#8	1.40	1.70



INNER O-RING I.D. Ø74.48
 OUTER O-RING I.D. Ø115.25
 GROOVES NOT SHOWN FOR CLARITY

UNLESS OTHERWISE SPECIFIED	DRAWN	NAME	DATE	IUCF	INDIANA UNIVERSITY CYCLOTRON 2401 MILO B. SAMPSON LANE BLOOMINGTON, IN 47405 (812) 855-9365
	CHECKED	HAWKINS	7/22/2003		
BREAK ALL EDGES .015 CHAMFER	APPROVED				
TOLERANCES:	REVISED				
DIMENSIONAL .X ± .06 .XX ± .02 .XXX ± .005 .XXXX ± .001 ANGULAR ± 1/2°	REQ'D	TITLE			MAT'L:Stainless Steel, 304
	UNITS IN	CAKE PAN - COIL #4 DIMENSION VERIFICATION			DWG NO: #4
	SCALE 1/16				REV
					SHT. 1 OF 1 SIZE: B