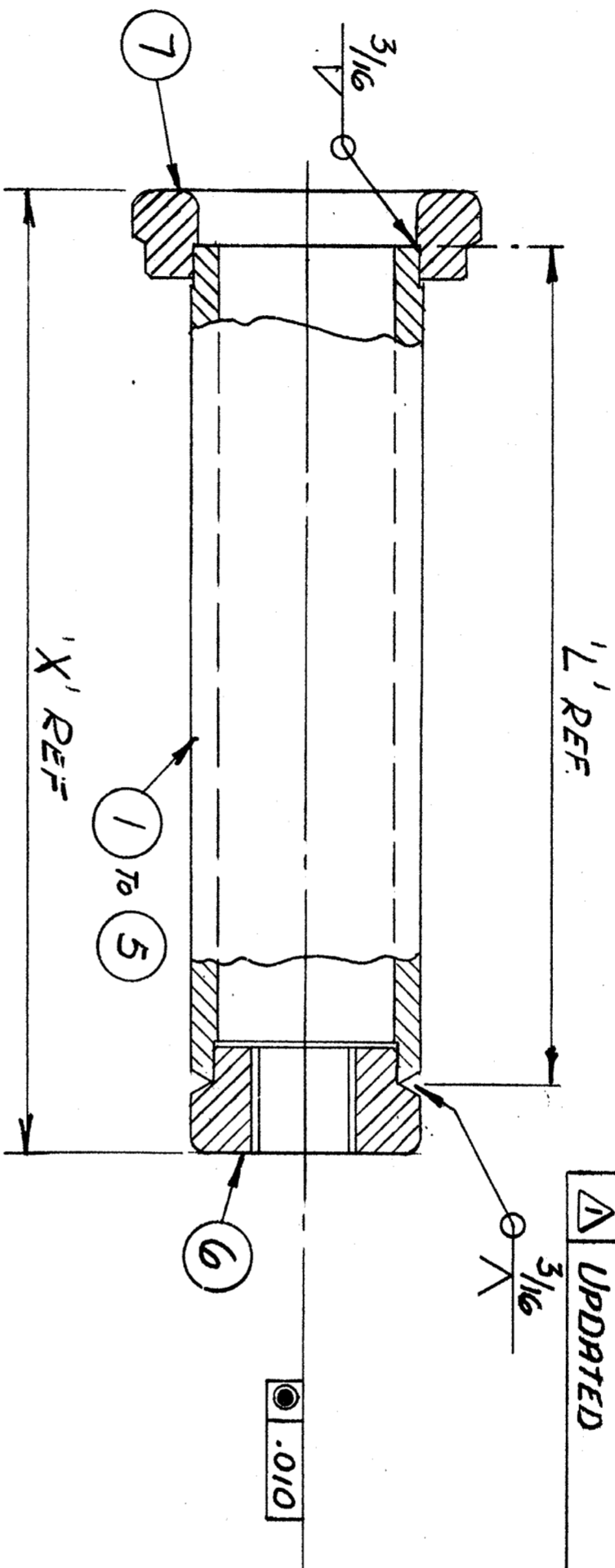


PROPRIETARY DATA OF STANFORD UNIVERSITY AND/OR U. S. ATOMIC ENERGY COMMISSION.
RECIPIENT SHALL NOT PUBLISH THE WITHIN INFORMATION WITHOUT SPECIFIC PERMISSION
OF STANFORD UNIVERSITY.



9 18-19-131-531-AW
 UPDATED
 11/19/72

1	1	1	1	1	1	7	PF-735-731-87	INTERMEDIATE CRP
1	1	1	1	1	1	6	88	CENTER ROD END
1	1	1	1	1	1	5	PF-735-732-15	INNER TUBE R.A. SUPP.
1	1	1	1	1	1	4	14	INNER TUBE COIL #4
1	1	1	1	1	1	3	13	INNER TUBE COIL #3
1	1	1	1	1	1	2	12	INNER TUBE COIL #2
1	1	1	1	1	1	1	PF-735-732-11	INNER TUBE COIL #1

9A-735-731-65	R.A. SUPP.	10 7/8	10	1	65	64	63	62	61		
64	4	12 3/8	11 1/2	1	1	1	1	1	1		
63	3	6 7/8	6	1	1	1	1	1	1		
62	2	6 7/8	6	1	1	1	1	1	1		
61	1	2 1/4	20 3/8	1	1	1	1	1	1		

SCALE: 1:1
 DO NOT SCALE DRAWING
 STANFORD LINEAR ACCELERATOR CENTER
 U. S. ATOMIC ENERGY COMMISSION
 STANFORD UNIVERSITY STANFORD, CALIFORNIA
 ENG. J.S. RAGSDALE
 DTA. J. J. ANDERSON
 CHK. J. J. ANDERSON
 DATE 11/19/72

UNLESS OTHERWISE SPECIFIED, DIMENSIONS ARE IN INCHES.
 TOLERANCES: BREAK EDGES .005-.015
 FIN. SURF. ± .005
 ALL SURF. ± .005
 125V
 NEXT ASSEMBLY: L939 / URMH B/W
 MISG. DETACH PARTS - THE BOLTS
 INNER TUBE WELDMENT
 MA-735-731-61-R1
 B

A B C