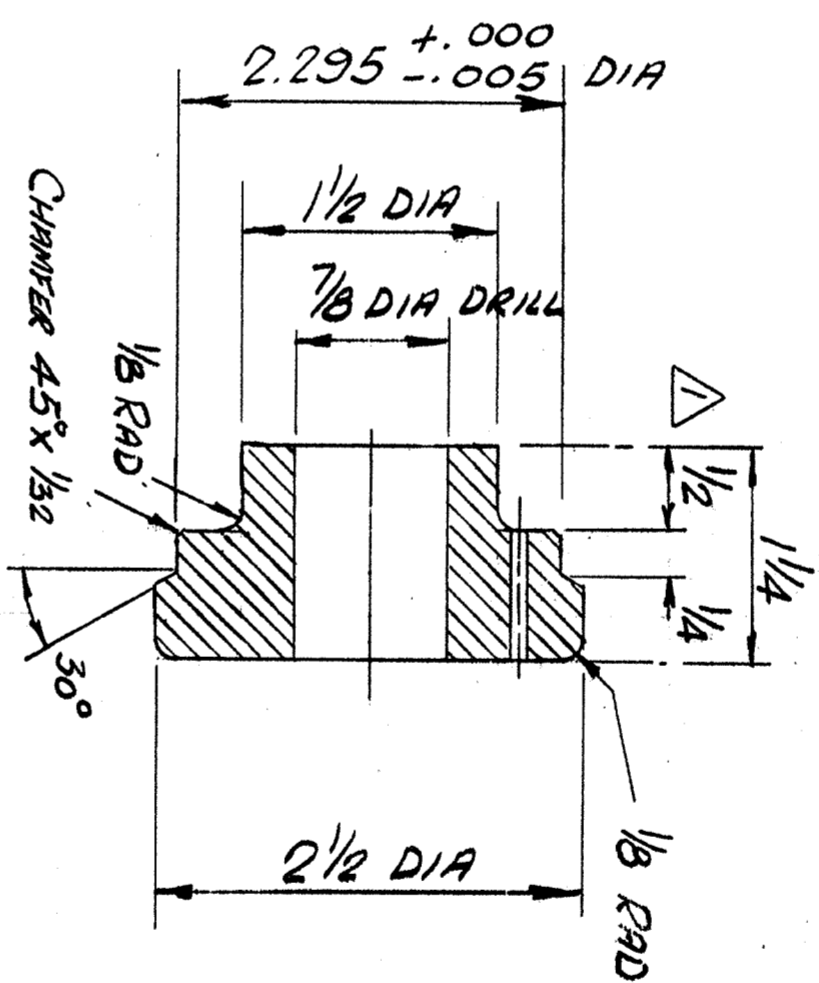
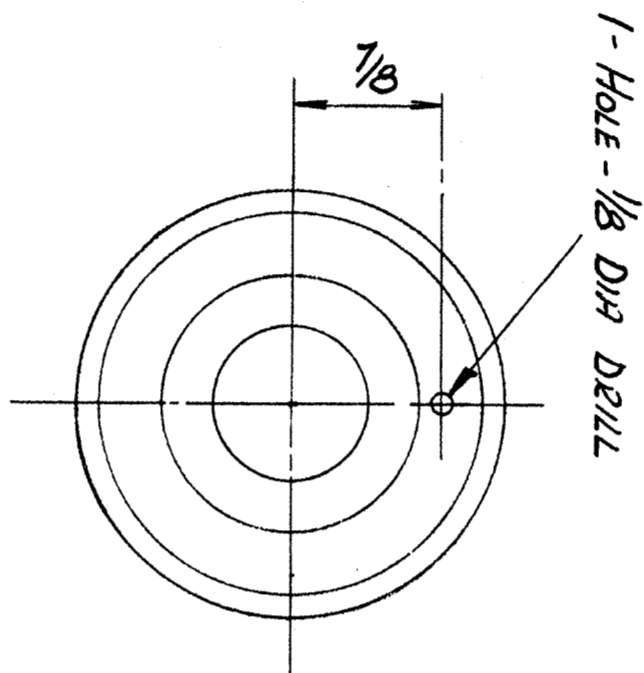


PROPRIETARY DATA OF STANFORD UNIVERSITY AND/OR U. S. ATOMIC ENERGY COMMISSION.  
 RECIPIENT SHALL NOT PUBLISH THE WITHIN INFORMATION WITHOUT SPECIFIC PERMISSION  
 OF STANFORD UNIVERSITY.



MATERIAL: ST STL TYPE 304

|                   |     |     |     |          |
|-------------------|-----|-----|-----|----------|
| 918-AT-131-SEL-JD | JAL | JAL | JAL | 11/29/72 |
| WAS 3/4 was 98    |     |     |     |          |

|  |  |  |
|--|--|--|
| <b>SCALE: 1:1</b><br>UNLESS OTHERWISE SPECIFIED, DIMENSIONS ARE IN INCHES.<br>TOLERANCES: BREAK EDGES .005, .015<br>FIN. CON. .015 & MAX<br>DEC. ± .005<br>ANGLES ± .1° ALL SURF. 125V | <b>DO NOT SCALE DRAWING</b><br>STANFORD LINEAR ACCELERATOR CENTER<br>U. S. ATOMIC ENERGY COMMISSION<br>STANFORD UNIVERSITY STANFORD, CALIFORNIA<br>DRG. V. S. R. COZ. / 4<br>DESIGNED BY: J. S. R. COZ. / 4<br>DATE: 9.27.72<br>CHK. J. S. R. COZ. / 4 | <b>NEXT ASSEMBLY:</b><br>LAST / URNM BINN<br>MISC. DEWAP PARTS - TIE BOLT<br>WARM END PLUG<br>PF-735-731-ND-R1 |
|--|--|--|

**B**