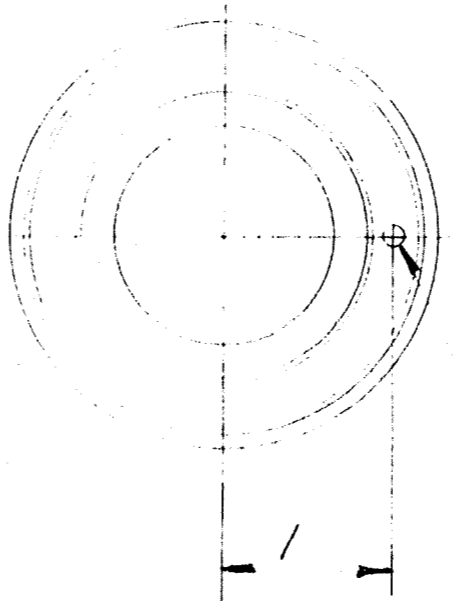
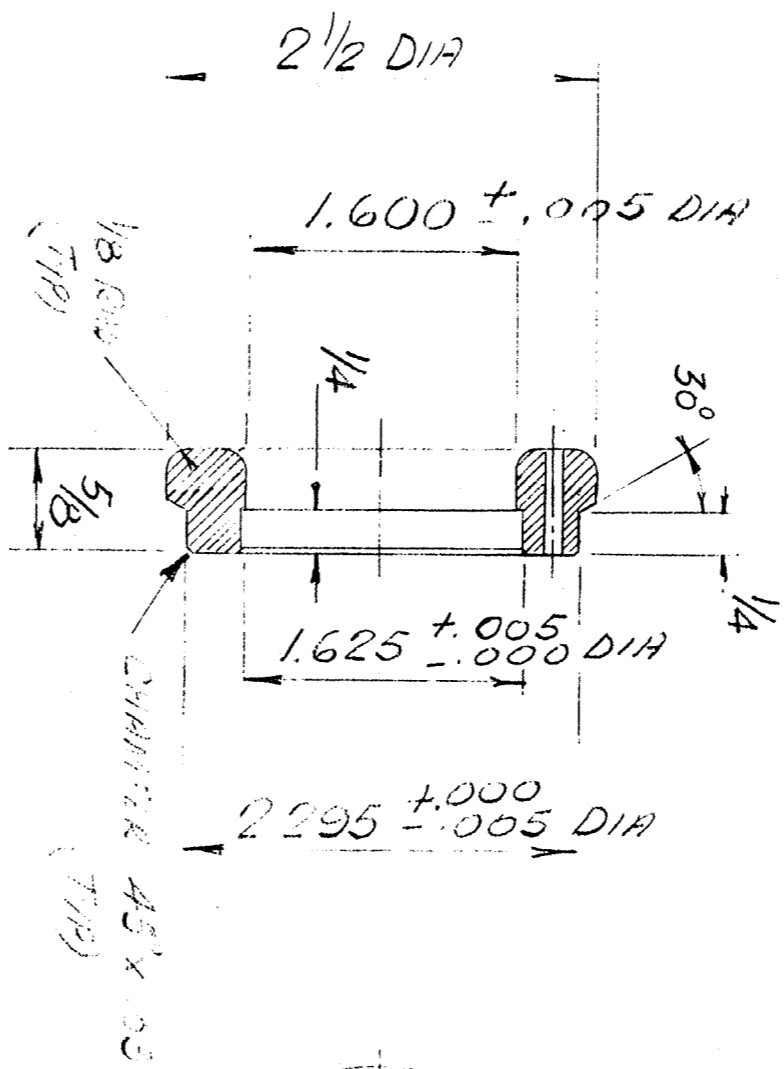


PROPRIETARY DATA OF STANFORD UNIVERSITY AND/OR U. S. ATOMIC ENERGY COMMISSION.
 RECIPIENT SHALL NOT PUBLISH THE WITHIN INFORMATION WITHOUT SPECIFIC PERMISSION
 OF STANFORD UNIVERSITY.



1-HOLE $\frac{1}{8}$ DIA DRILL

MATERIAL: ST 316 TYPE 304

91X-78-13L-5CL-1A	REVISED	JAM	JAM	JAM	11/27/72
-------------------	---------	-----	-----	-----	----------

SCALE: 1:1 UNLESS OTHERWISE SPECIFIED, DIMENSIONS ARE IN INCHES. TOLERANCES: BREAK EDGES .005-.015 FRACT. $\pm \frac{1}{64}$ DEC. $\pm .005$ ANGLES $\pm .1^\circ$ ALL SURF. 125V	DO NOT SCALE DRAWING STANFORD LINEAR ACCELERATOR CENTER U. S. ATOMIC ENERGY COMMISSION STANFORD UNIVERSITY STANFORD, CALIFORNIA ENG. J. S. ALGER DTS. J. A. MURPHY CHK. J. A. MURPHY	NEXT ASSEMBLY: LASS / URAMH BINN MISC. DEMARK. PARTS - THE BOLT INTERMEDIATE CHS QF 735-731-87 R1 B
--	---	---

MFR1