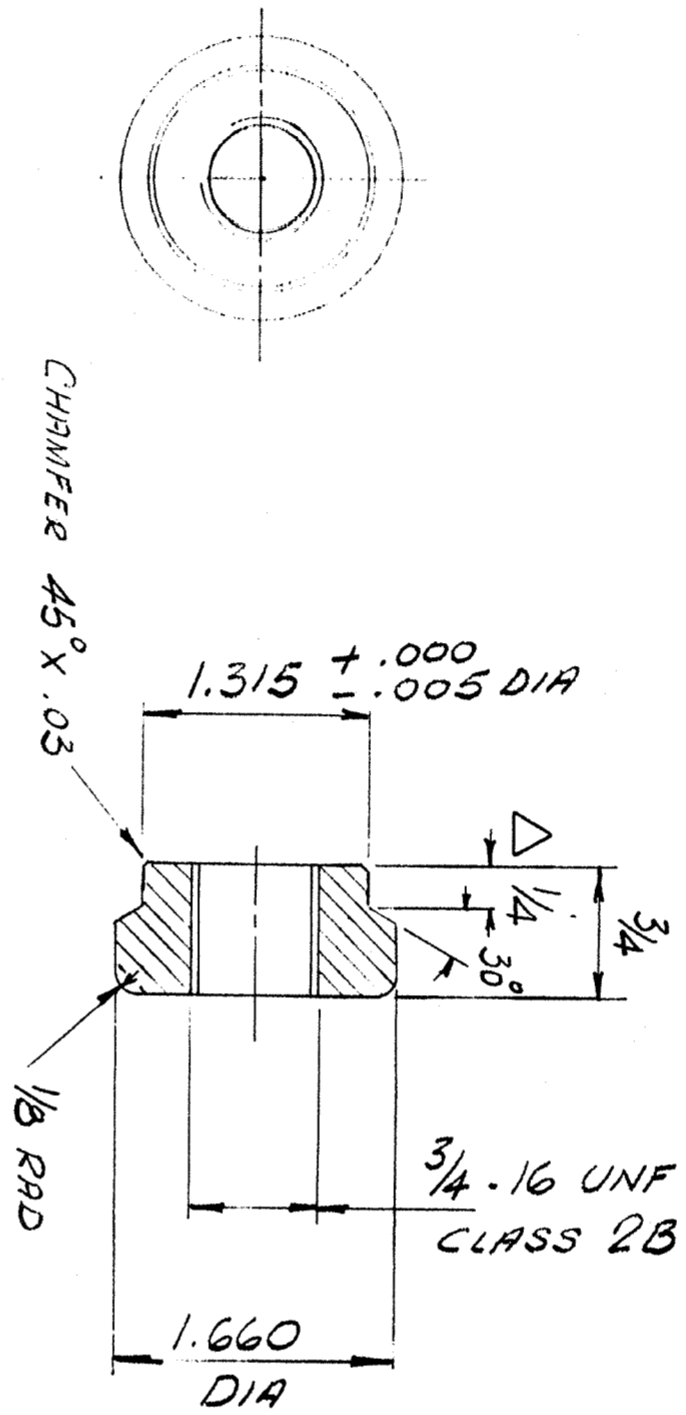


PROPRIETARY DATA OF STANFORD UNIVERSITY AND/OR U. S. ATOMIC ENERGY COMMISSION.  
 RECIPIENT SHALL NOT PUBLISH THE WITHIN INFORMATION WITHOUT SPECIFIC PERMISSION  
 OF STANFORD UNIVERSITY.



MATERIAL: ST 312 TYPE 304

$\Delta$	$\Delta$	$\Delta$	$\Delta$	$\Delta$	$\Delta$	$\Delta$	$\Delta$	$\Delta$	$\Delta$
B	1/4 DIM W/AS 1/2								11/27/72
PF-735-731-88-R1									

SCALE: 1:1	DO NOT SCALE DRAWING	NEXT ASSEMBLY:
UNLESS OTHERWISE SPECIFIED, DIMENSIONS ARE IN INCHES. TOLERANCES: BREAK EDGES .005, .015 FACT. $\pm 1/4$ DEC. $\pm .005$ ANGLES $\pm 1'$	STANFORD LINEAR ACCELERATOR CENTER U. S. ATOMIC ENERGY COMMISSION STANFORD UNIVERSITY STANFORD, CALIFORNIA DATE: 7/24/72 BY: J.S. ALCOCK CHK: J.S. ALCOCK	LA55 / URMH BINN MISC DEVIAR PARTS - THE BOLT CENTER ROD END
ALL SURFS. 125 V	APPROVALS 9.5.26cm	PF-735-731-88 R1
		MFR1