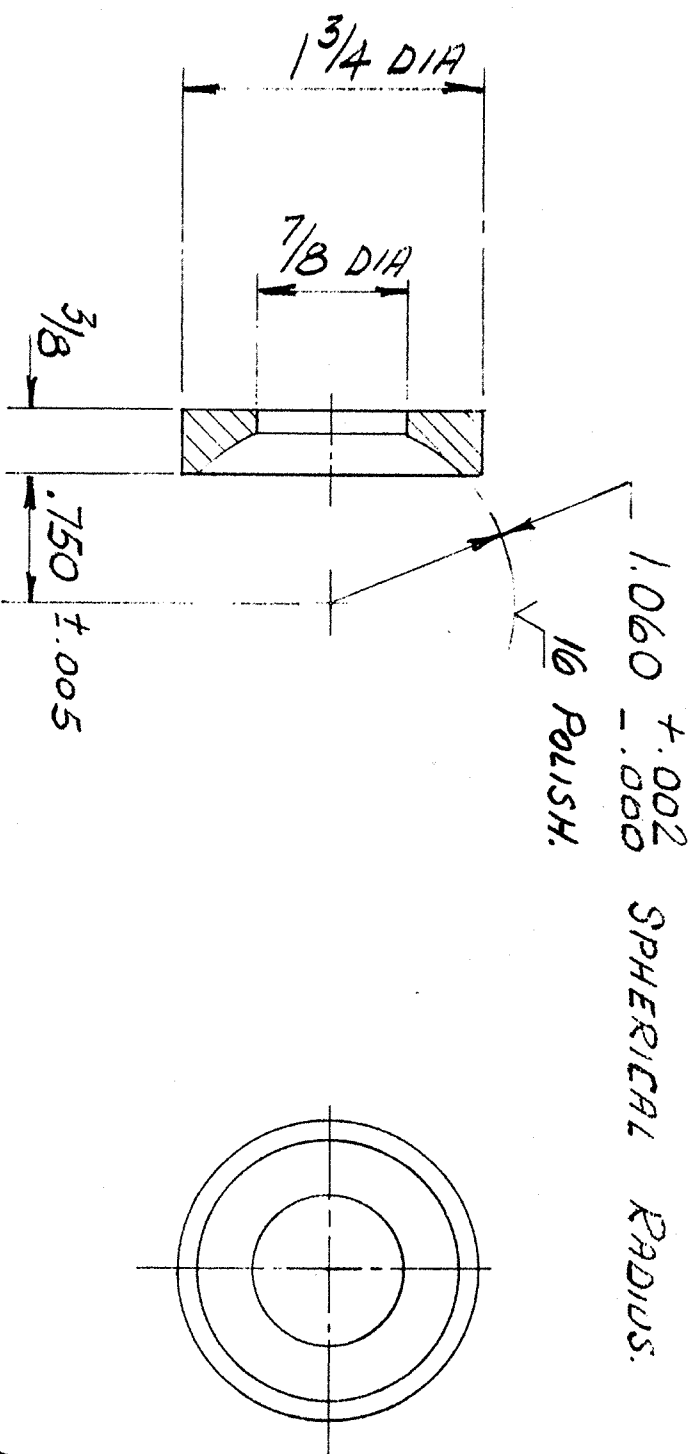


PROPRIETARY DATA OF STANFORD UNIVERSITY AND/OR U. S. ATOMIC ENERGY COMMISSION.  
 RECIPIENT SHALL NOT PUBLISH THE WITHIN INFORMATION WITHOUT SPECIFIC PERMISSION  
 OF STANFORD UNIVERSITY.

909-96-131-SCL-FD



MATERIAL: H.T. STEEL  
 AISI 4140 OR EQUIV

SCALE: 1:1	UNLESS OTHERWISE SPECIFIED, DIMENSIONS ARE IN INCHES. TOLERANCES: BREAK EDGES .005-.015 FINISH: ± .005 INT. COR. .015 R. MAX. ANGLES ± .1° ALL SURF. 125 V
DO NOT SCALE DRAWING	STANFORD LINEAR ACCELERATOR CENTER U. S. ATOMIC ENERGY COMMISSION STANFORD UNIVERSITY STANFORD, CALIFORNIA
	ENGR. J. S. BILGACAN DTS. J. G. NUTTALL OR M. W. BAKER
	APPROVALS 9.28.72 9.5.72
NEXT ASSEMBLY:	LASS/DIAPH BURN MISC. DEMAG PARTS - THE BOLTS CONCAVE WASHER (P2MIN)
	PF-735-731-96-R0
	<b>B</b>

MF-R0