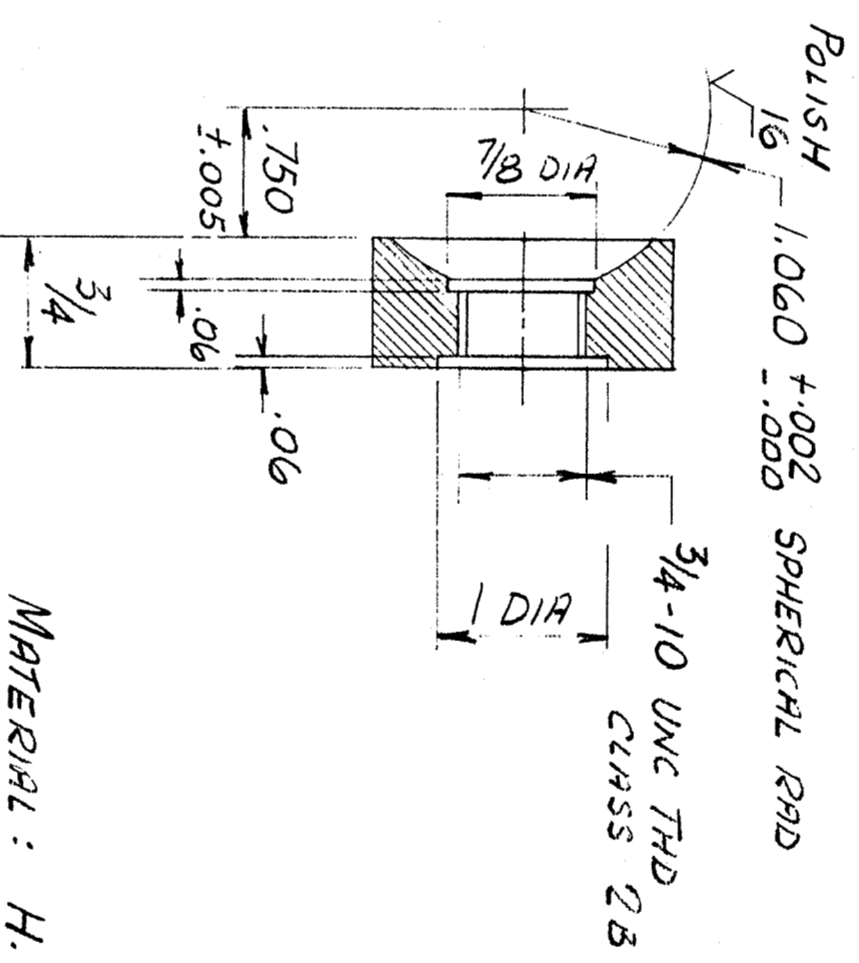
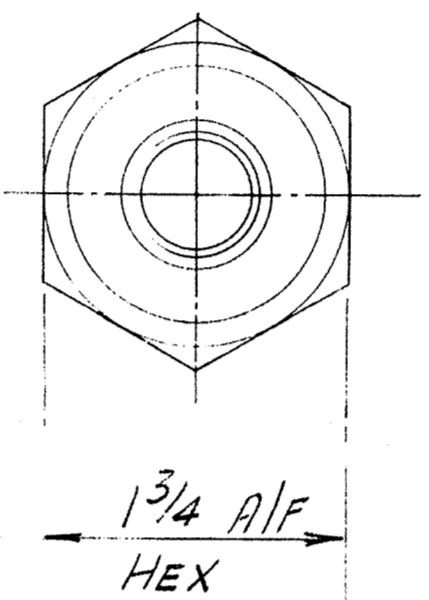


PROPRIETARY DATA OF STANFORD UNIVERSITY AND/OR U. S. ATOMIC ENERGY COMMISSION.
 RECIPIENT SHALL NOT PUBLISH THE WITHIN INFORMATION WITHOUT SPECIFIC PERMISSION
 OF STANFORD UNIVERSITY.



MATERIAL : H. T. STEEL
 AISI 4140 OR EQUIV.

SCALE: 1:1 UNLESS OTHERWISE SPECIFIED, DIMENSIONS ARE IN INCHES. TOLERANCES: BREAK EDGES .005-.015 FIN. SURF. .015 R. MAX. DEC. ± .005 ANGLES ± .1° ALL SURF. 125V		DO NOT SCALE DRAWING STANFORD LINEAR ACCELERATOR CENTER U. S. ATOMIC ENERGY COMMISSION STANFORD UNIVERSITY STANFORD, CALIFORNIA ENGR. J. S. BLOOM DTS. J. S. BLOOM CHK. J. S. BLOOM APPROVALS 9.28.72 J. S. B.		NEXT ASSEMBLY: LASS/JURANH BINN MISC. DEWAR PARTS - TIE BOLT CONCAVE WASHER (UNC. THD) PF-735-731-97-R0 B MFRD	
---	--	--	--	---	--

909-L6-131-5CL-1F