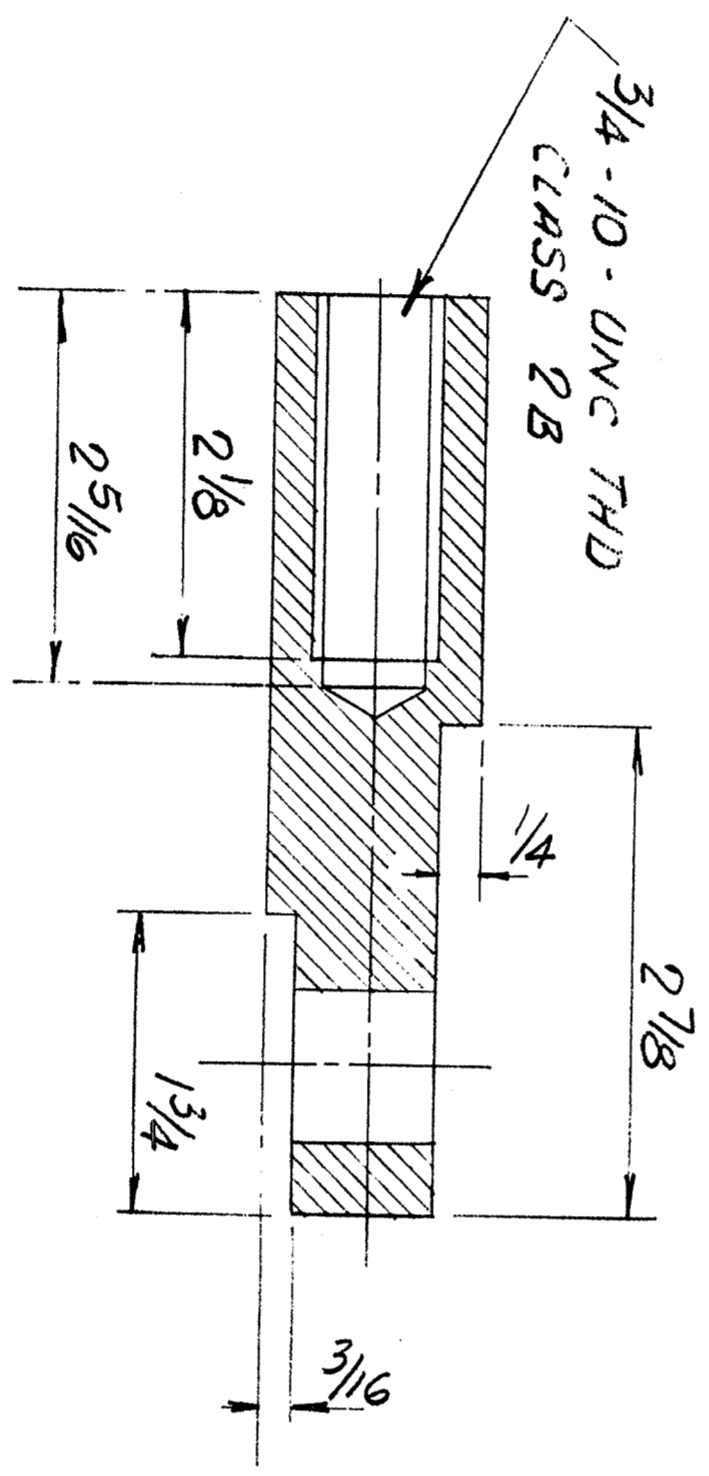
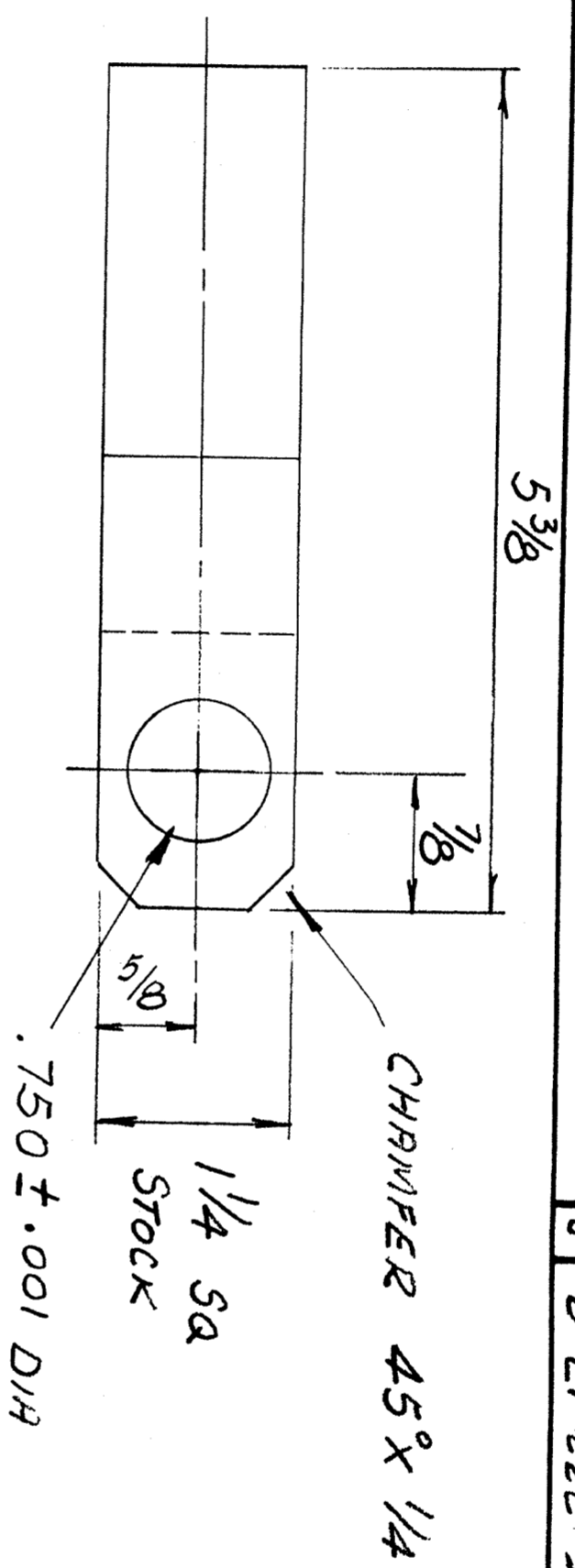


PROPRIETARY DATA OF STANFORD UNIVERSITY AND/OR U. S. ATOMIC ENERGY COMMISSION.
 RECIPIENT SHALL NOT PUBLISH THE WITHIN INFORMATION WITHOUT SPECIFIC PERMISSION
 OF STANFORD UNIVERSITY.

09-11-232-561-J1
 PF-735-732-17-R0



MATERIAL ST STL TYPE 304

COILS 1, 2 & 3

SCALE: 1:1	DO NOT SCALE DRAWING	NEXT ASSEMBLY:
UNLESS OTHERWISE SPECIFIED, DIMENSIONS ARE IN INCHES.	STANFORD LINEAR ACCELERATOR CENTER U. S. ATOMIC ENERGY COMMISSION STANFORD UNIVERSITY STANFORD, CALIFORNIA	LASS/JRMMH BINN
TOLERANCES, BREAK EDGES, DEC. 015	ENGR. J.S. BROWN	MISC. DEMO PARTS R.A. TIE BOLT
FACT. ± .005	DTS. J.S. BROWN	WREN END BACK COIL # 1, 2 & 3
DEC. ± .005	9.5.a.	PF-735-732-17-R0
ANGLES ± .1° ALL SURF. 125°	CHK. J.S. BROWN	MFRD

MF