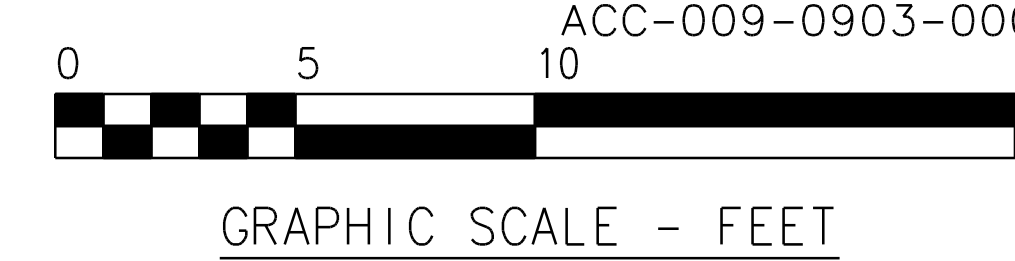
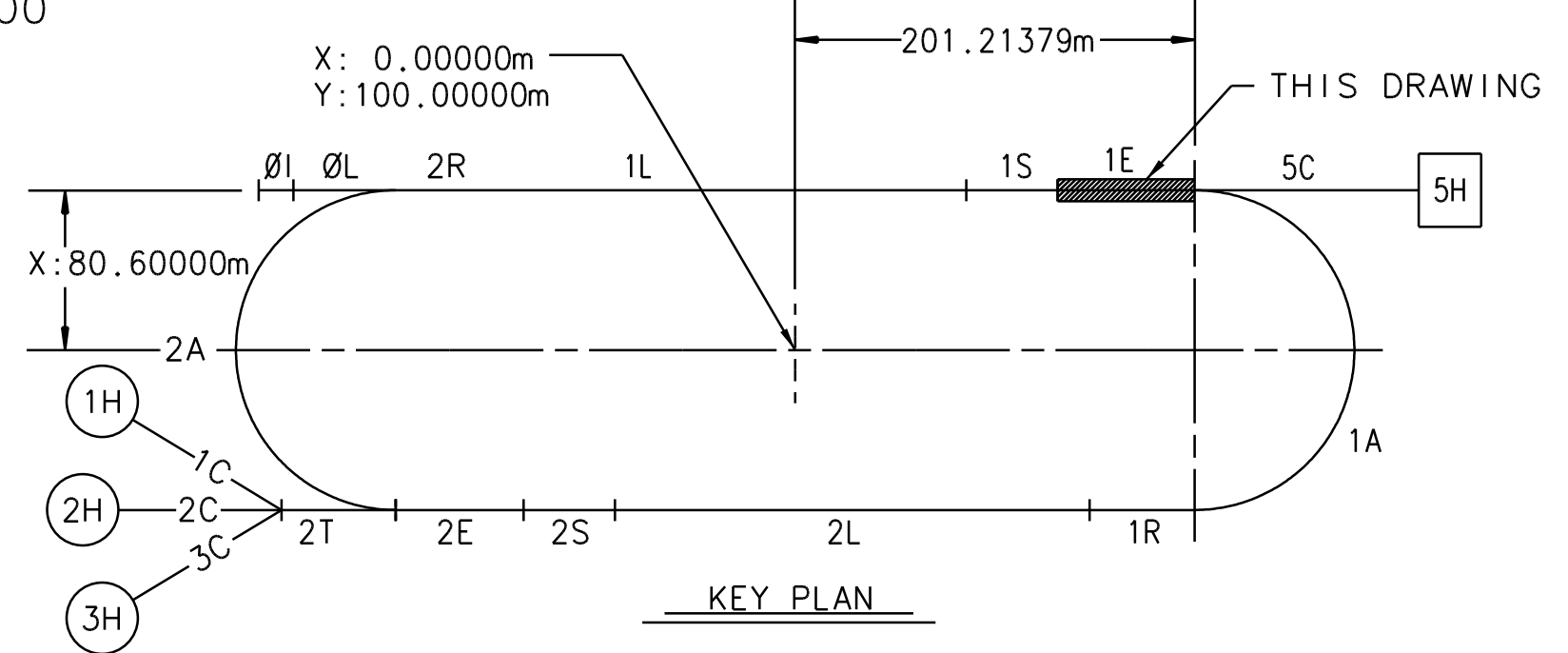


12 GeV 20 Amp Quad Nomenclature	
Old Name	New Name
QA+	QK
QB+	QL
QC+	QN
QBQC+	QQ
QPQP	QV



LEGEND
(INDICATING LOWEST ENERGY LINE SHOWN)

DIMENSION UNITS	
XX.XXm	= METERS
(XX.XX)	= INCHES
XXX.XX	= DECIMAL FEET
XX-XX*	= FEET - INCHES

Ø1	INJECTOR	2A	2ND ARC
ØL	PRE-ACCELERATOR	2T	TRANSPORT CHANNEL 2
2R	2ND RECOMBINER	1C	TRANSPORT CHANNEL TO HALL A
1L	1ST LINAC	1H	HALL A
1S	1ST SPREADER	2C	TRANSPORT CHANNEL TO HALL B
1E	1ST EXTRACTOR	2H	HALL B
1A	1ST ARC	3C	TRANSPORT CHANNEL TO HALL C
1R	1ST RECOMBINER	3H	HALL C
2L	2ND LINAC	5C	TRANSPORT CHANNEL TO HALL D
2S	2ND SPREADER	5H	HALL D
2E	2ND EXTRACTOR		

AREA	SIGNATURE	DATE	AREA	SIGNATURE	DATE
CASA	M. SPATA		VAC	J. HECKMAN	
INST	N. WILSON		DIA	M. SPATA	
CED	T. LARRIEU		MAG	T. HIATT	
			OPS	S. SUHRING	
			ALIGN	C. CURTIS	
			MEG	T. MICHALSKI	
			PWR	W. MERZ	

DOCUMENT CONTROL STAMP	
MATERIAL	
FINISH	UNLESS OTHERWISE NOTED
MACHINED SURFACES	DEBURR & BREAK ALL SHARP EDGES
DO NOT SCALE DRAWING	

TRACKING NO.	
N/A	
APPROVALS	DATE
C. HAYS	06NOV13
C. DUBBE	06NOV13
M. BEVINS	06NOV13