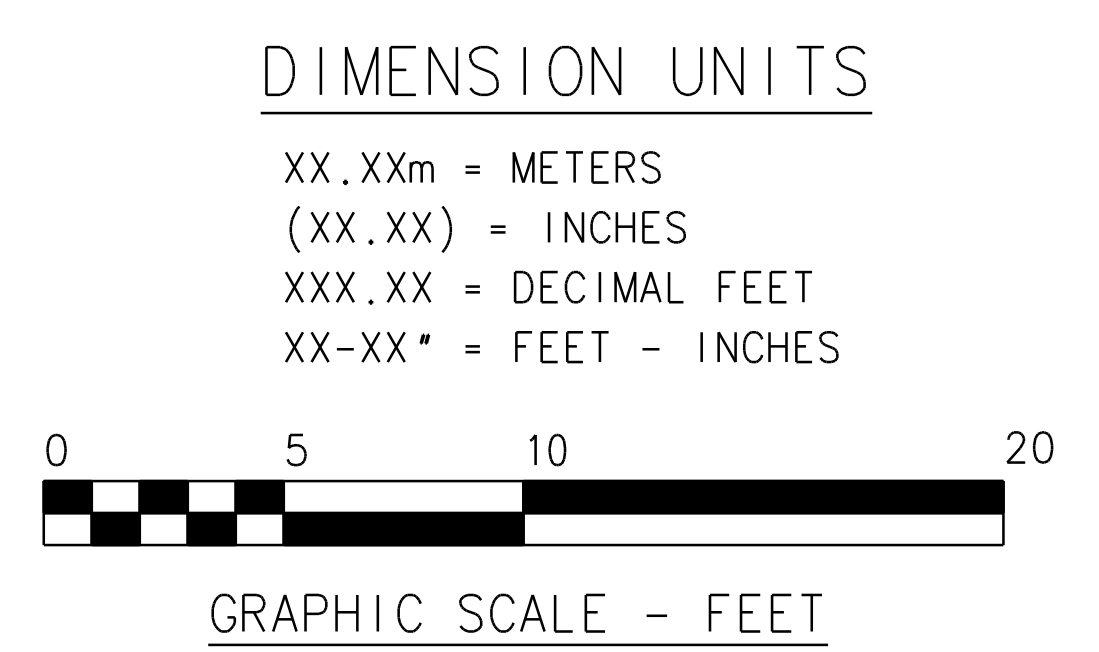
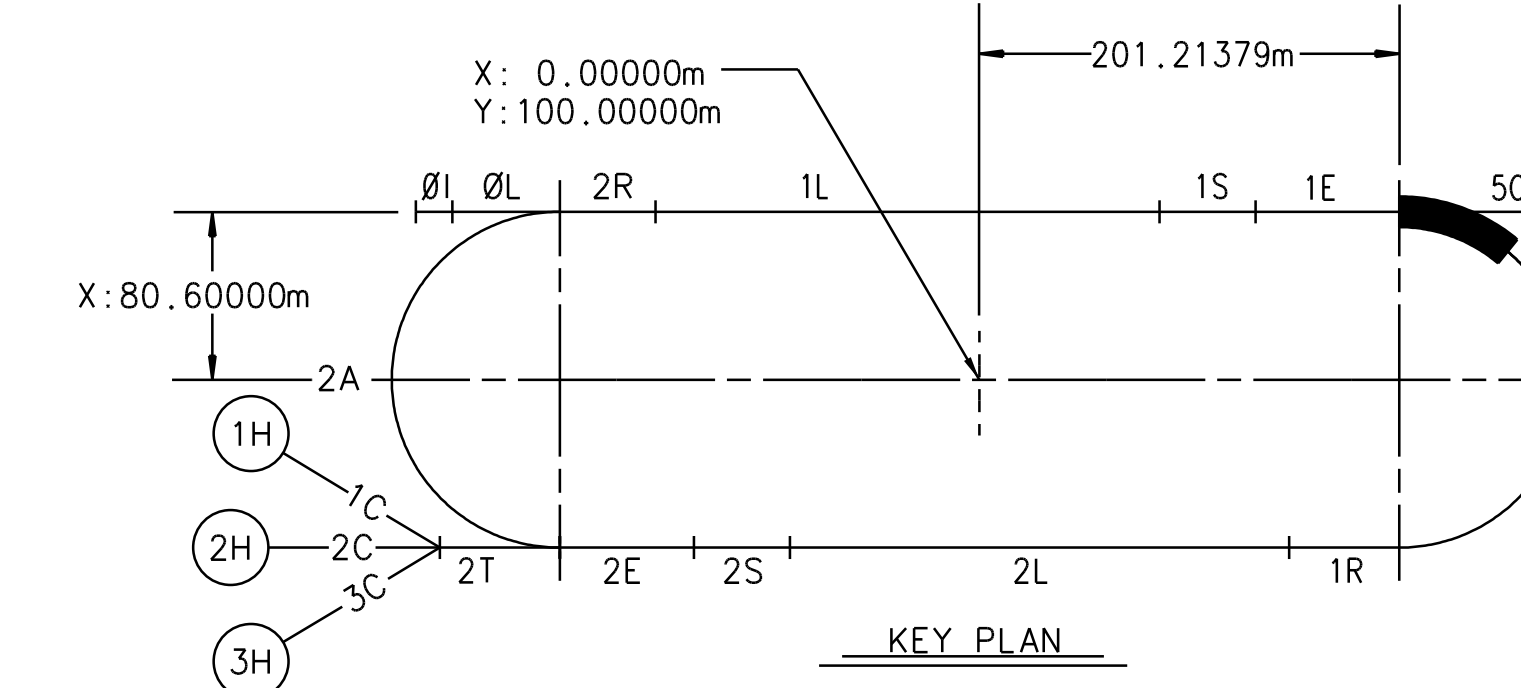


- GENERAL NOTES:**
- \*XXXXXX\* DENOTES ELEMENTS WITH POWER REMOVED.
  - ( ) DENOTES ELEMENTS NOT IN THE BEAM LINE.
  - SYNCHROTRON COILS FOR ARCS 7A AND 9A NAMED MSR7A00 AND MSR9A00 AND ARE NOT SHOWN ABOVE.



**LEGEND**  
 (INDICATING LOWEST ENERGY LINE SHOWN)

∅1 INJECTOR	2A 2ND ARC
∅L PRE-ACCELERATOR	2T TRANSPORT CHANNEL 2
2R 2ND RECOMBINER	1C TRANSPORT CHANNEL TO HALL A
1L 1ST LINAC	1H HALL A
1S 1ST SPREADER	2C TRANSPORT CHANNEL TO HALL B
1E 1ST EXTRACTOR	2H HALL B
1A 1ST ARC	3C TRANSPORT CHANNEL TO HALL C
1R 1ST RECOMBINER	3H HALL C
2L 2ND LINAC	5C TRANSPORT CHANNEL TO HALL D
2S 2ND SPREADER	5H HALL D
2E 2ND EXTRACTOR	



AREA	SIGNATURE	DATE	AREA	SIGNATURE	DATE	DOCUMENT CONTROL STAMP	DTW & TOL PER ASME Y14.5 UNLESS OTHERWISE SPECIFIED DIMENSIONS ARE IN INCHES FRACTIONS DECIMAL ANGLES	TRACKING NO.	APPROVALS	DATE	United States Department of Energy	Jefferson Lab	Newport News Virginia
CASA	M. SPATA		VAC	J. HECKMAN				N/A					
INST	N. WILSON		DIA	M. SPATA									
CED	T. LARRIEU		MAG	T. HIATT									
			OPS	S. SUHRING									
			ALIGN	C. CURTIS									
			MEG	T. MICHALSKI									
			PWR	W. MERZ									