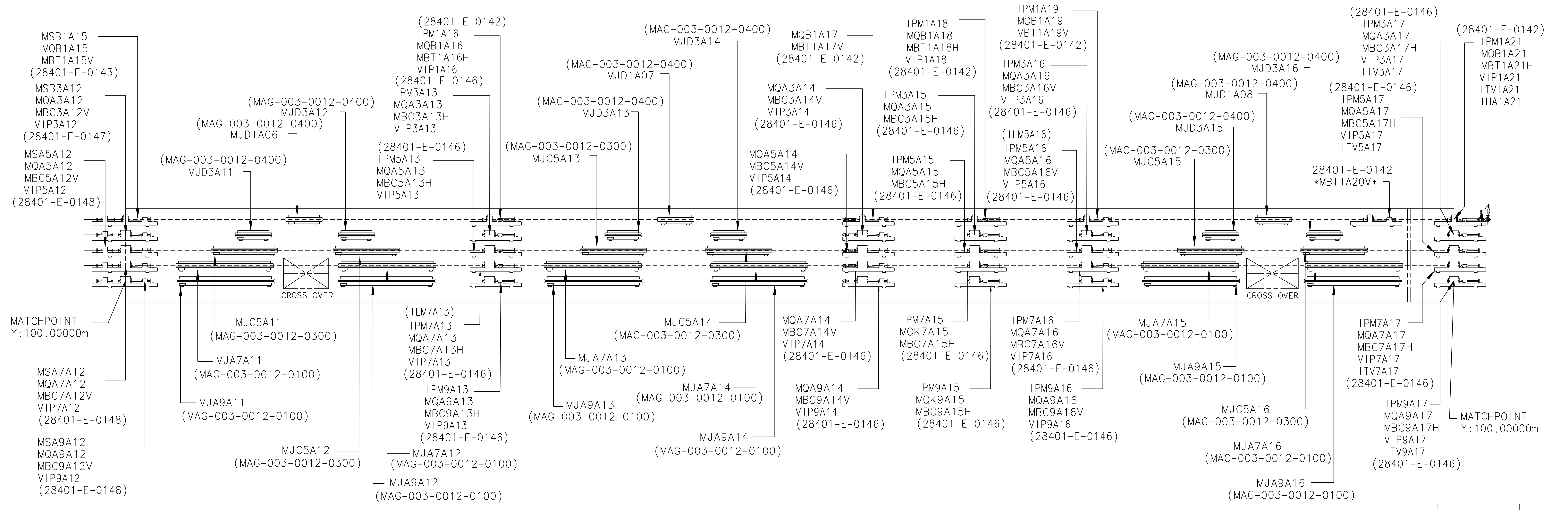


MATCHPOINT
X: 41.53833m
Z: 269.96239m

REF DWG
ACC-000-2845-0012

MATCHPOINT
X: -0.00000m
Z: 281.81379m

REF DWG
ACC-000-2845-0014



MATCHPOINT
Y: 100.00000m

MSA7A12
MQA7A12
MBC7A12V
VIP7A12
(28401-E-0148)

MSA9A12
MQA9A12
MBC9A12V
VIP9A12
(28401-E-0148)

MJA7A11
(MAG-003-0012-0100)

MJA9A11
(MAG-003-0012-0100)

MJC5A11
(MAG-003-0012-0300)

MJA7A12
(MAG-003-0012-0100)

MJA9A12
(MAG-003-0012-0100)

MATCHPOINT
Y: 100.00000m

IPM7A17
MQA7A17
MBC7A17H
VIP7A17
ITV7A17
(28401-E-0146)

IPM9A17
MQA9A17
MBC9A17H
VIP9A17
ITV9A17
(28401-E-0146)

MJA7A15
(MAG-003-0012-0100)

MJA9A15
(MAG-003-0012-0100)

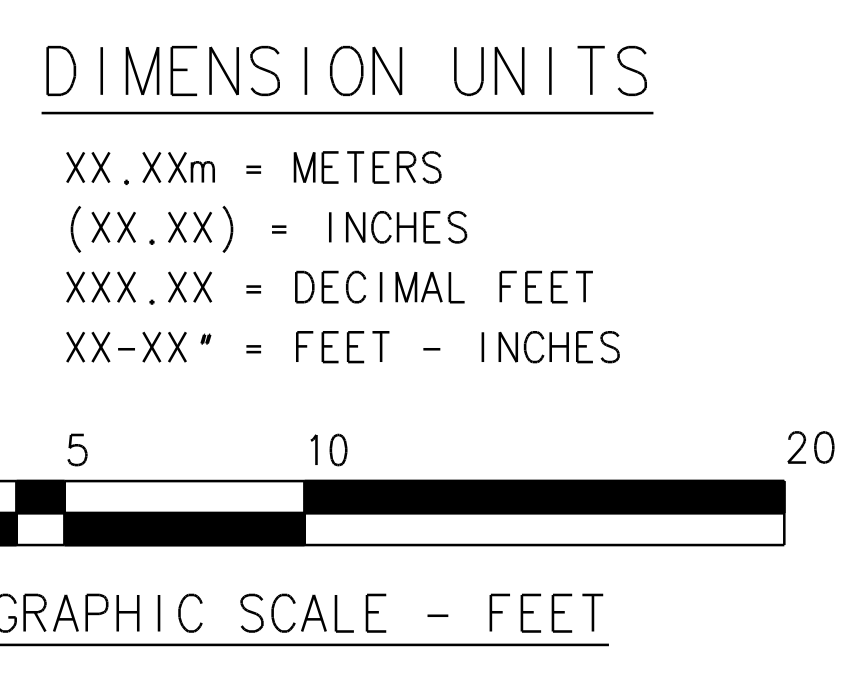
MJC5A15
(MAG-003-0012-0300)

MJA7A16
(MAG-003-0012-0100)

MJA9A16
(MAG-003-0012-0100)

LEGEND

(INDICATING LOWEST ENERGY LINE SHOWN)



∅1	INJECTOR	2A	2ND ARC
∅L	PRE-ACCELERATOR	2T	TRANSPORT CHANNEL 2
2R	2ND RECOMBINER	1C	TRANSPORT CHANNEL TO HALL A
1L	1ST LINAC	1H	HALL A
1S	1ST SPREADER	2C	TRANSPORT CHANNEL TO HALL B
1E	1ST EXTRACTOR	2H	HALL B
1A	1ST ARC	3C	TRANSPORT CHANNEL TO HALL C
1R	1ST RECOMBINER	3H	HALL C
2L	2ND LINAC	5C	TRANSPORT CHANNEL TO HALL D
2S	2ND SPREADER	5H	HALL D
2E	2ND EXTRACTOR		

AREA	SIGNATURE	DATE	AREA	SIGNATURE	DATE
CASA	M. SPATA		VAC	J. HECKMAN	
INST	N. WILSON		DIA	M. SPATA	
CED	T. LARRIEU		MAG	T. HIATT	
			OPS	S. SUHRING	
			ALIGN	C. CURTIS	
			MEG	T. MICHALSKI	
			PWR	W. MERZ	

FINISH	UNLESS OTHERWISE NOTED
MACHINED SURFACES	125
DEBURR & BREAK ALL SHARP EDGES	

DO NOT SCALE DRAWING

APPROVALS	DATE
DRAWN G. HAYS	05NOV13
CHECKED C. DUBBE	05NOV13
APPROVED C. DUBBE	05NOV13
APPROVED M. BEVINS	05NOV13

UNITED STATES DEPARTMENT OF ENERGY

Jefferson Lab
Thomas Jefferson National Accelerator Facility

Newport News, Virginia

ACC MACHINE CONFIGURATION
BEAM TRANSPORT
1ST ARC - 3RD SECTION

ACC-000-2845-0013

SCALE: 1:48

SHEET 1 OF 1

