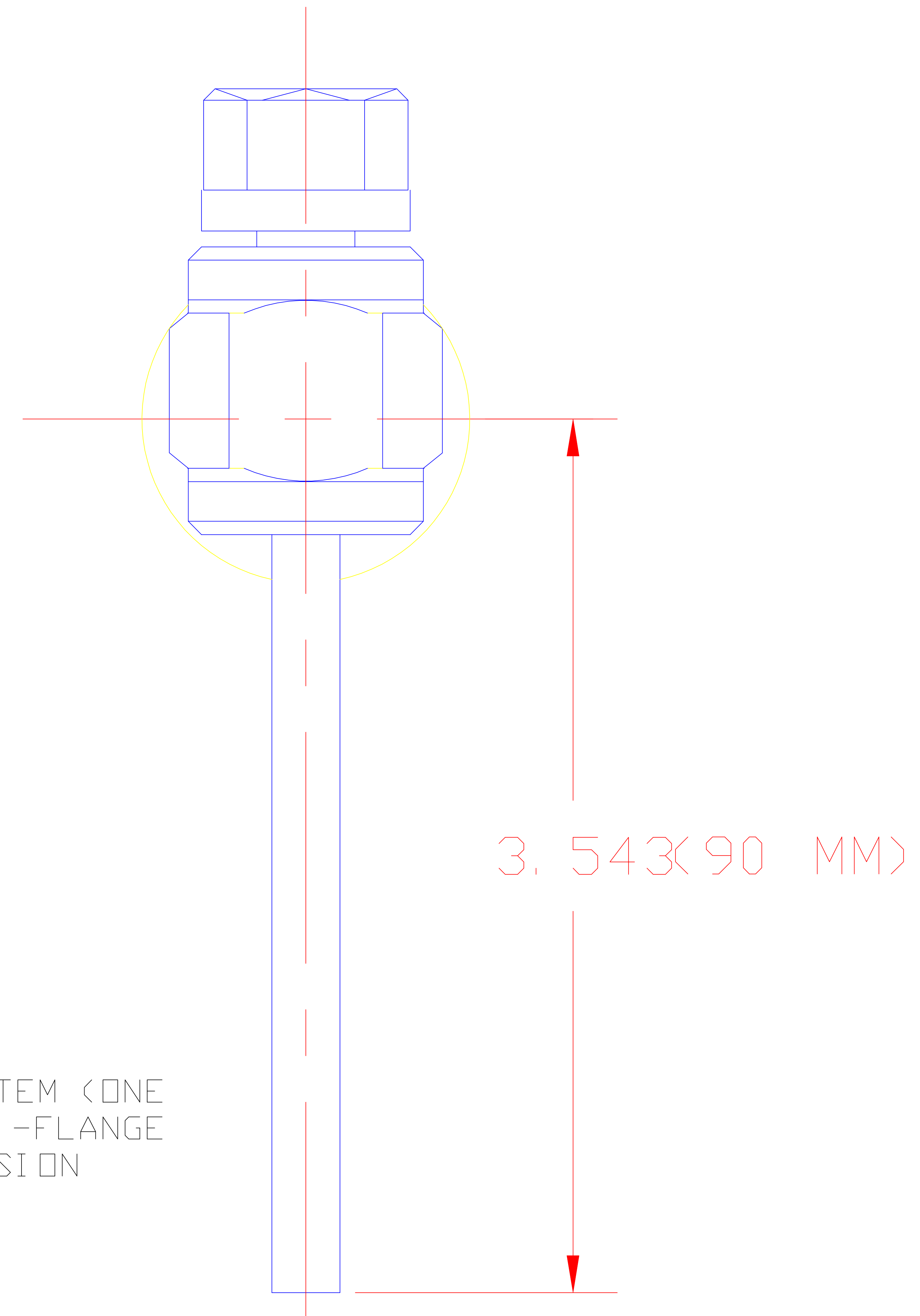
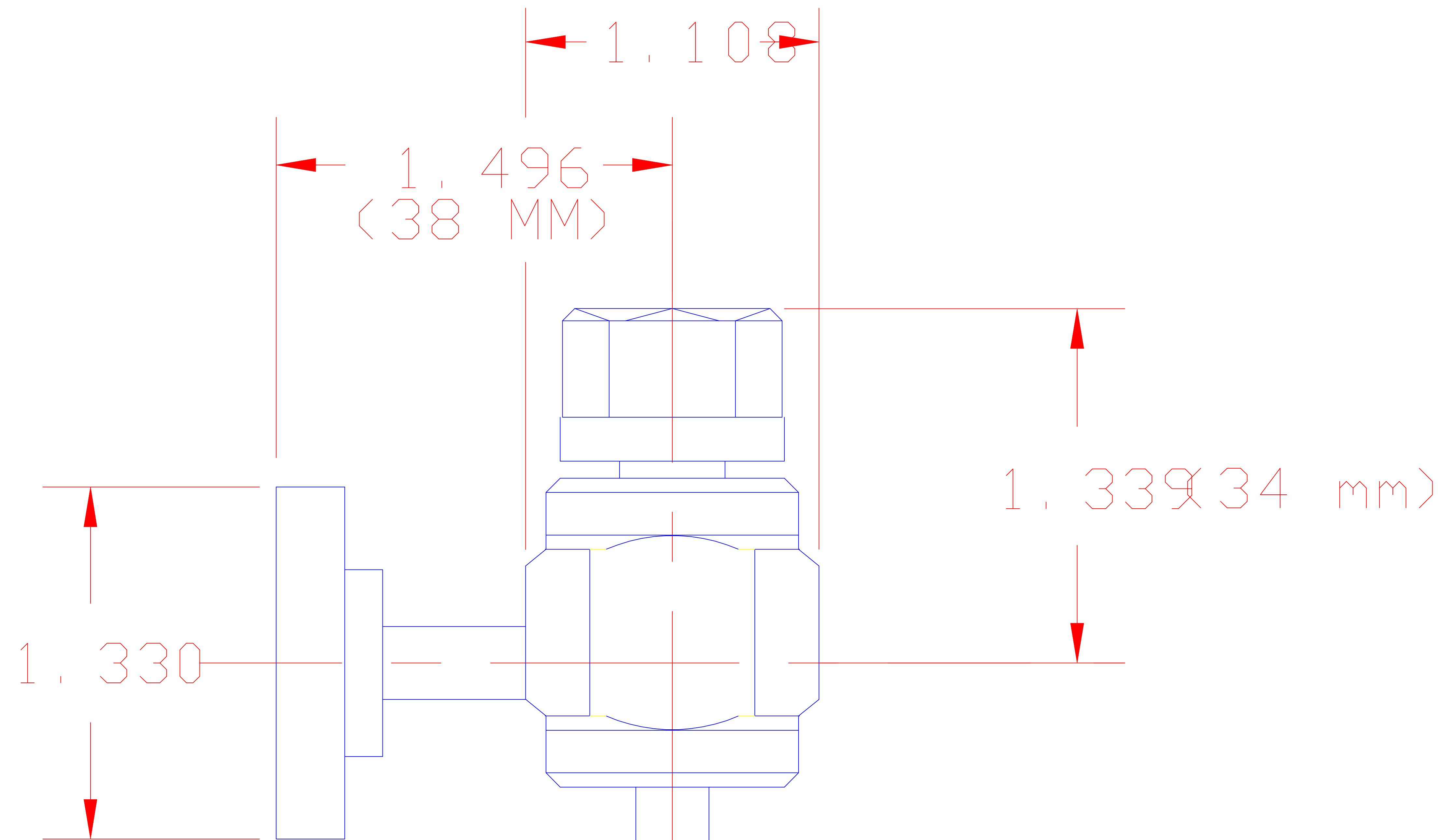


REV.	DATE	DESCRIPTION	BY	APP'D
1	10-92	MODIFIED NOTES	URIBE	



NOTES

1. KURT LESKER VZCR97R
SPECIAL ORDER MODIFIED FOR MAIN STEM (ONE
PIECE TUBE) 90 mm LONG AND NO MINI-FLANGE
WELDS ON MAIN STEM TUBE FOR EXTENSION
ARE NOT ACCEPTABLE

.276
(7mm)

DRAWN BY SPESE	NUCLEAR PHYSICS LABORATORY UNIVERSITY OF ILLINOIS AT URBANA-CHAMPAIGN	METAL SEAL MINI-FLANGE VALVE		
CHECKED BY	UNLESS OTHERWISE SPECIFIED	PART NO.	SCALE 2=1	FILE 12
APPROVED BY	DIMENSIONS IN INCHES 2 PLACE DEC. ± .01 BREAK SHARP CORNERS 3 PLACES DEC. ± .003 FRACTIONAL ± 1/32" ANGULAR ± 0° 30'	NO. REQ'D.	DATE 7-11-88	DWG. NO. C-2709-19
		CHASSIS NO. OR MATERIAL LISTED		