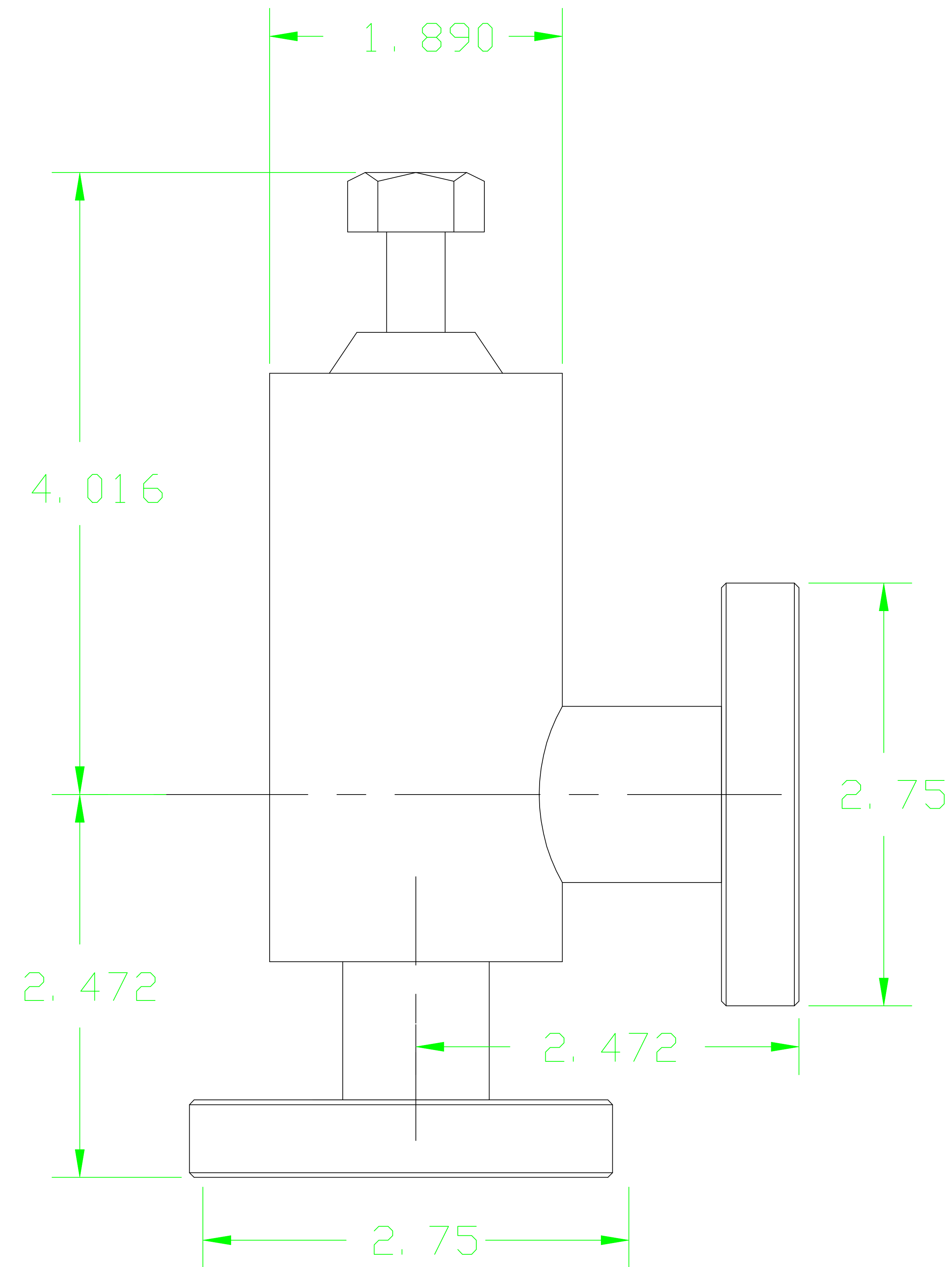


REV.	DATE	DESCRIPTION	BY	APP'D
1	8-89	MODIFIED FLANGES (ADDED CHAMFERS)	WAALER	



KURT LESKER VZCR38R/A

DRAWN BY SPESE	NUCLEAR PHYSICS LABORATORY UNIVERSITY OF ILLINOIS AT URBANA-CHAMPAIGN	2 3/4" METAL SEAL VALVE		
CHECKED BY	UNLESS OTHERWISE SPECIFIED	PART NO.	SCALE 1=1	FILE 12
APPROVED BY	DIMENSIONS IN INCHES 2 PLACE DEC. ± .01 BREAK SHARP CORNERS 3 PLACES DEC. ± .003 FRACTIONAL ± 1/32" ANGULAR ± 0° 30'	NO. REQ'D.	DATE 7-11-88	DWG. NO. C-2709-20
		CHASSIS NO. OR MATERIAL LISTED		