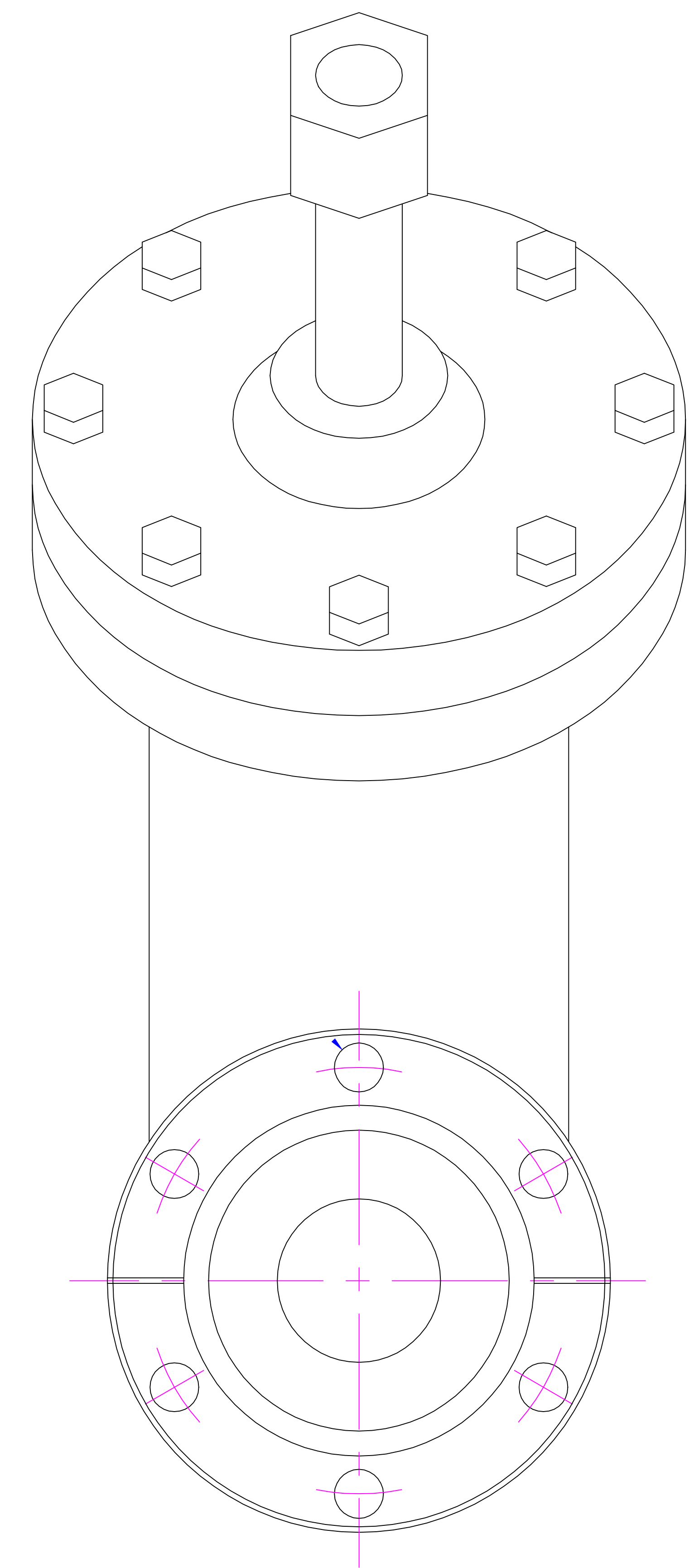
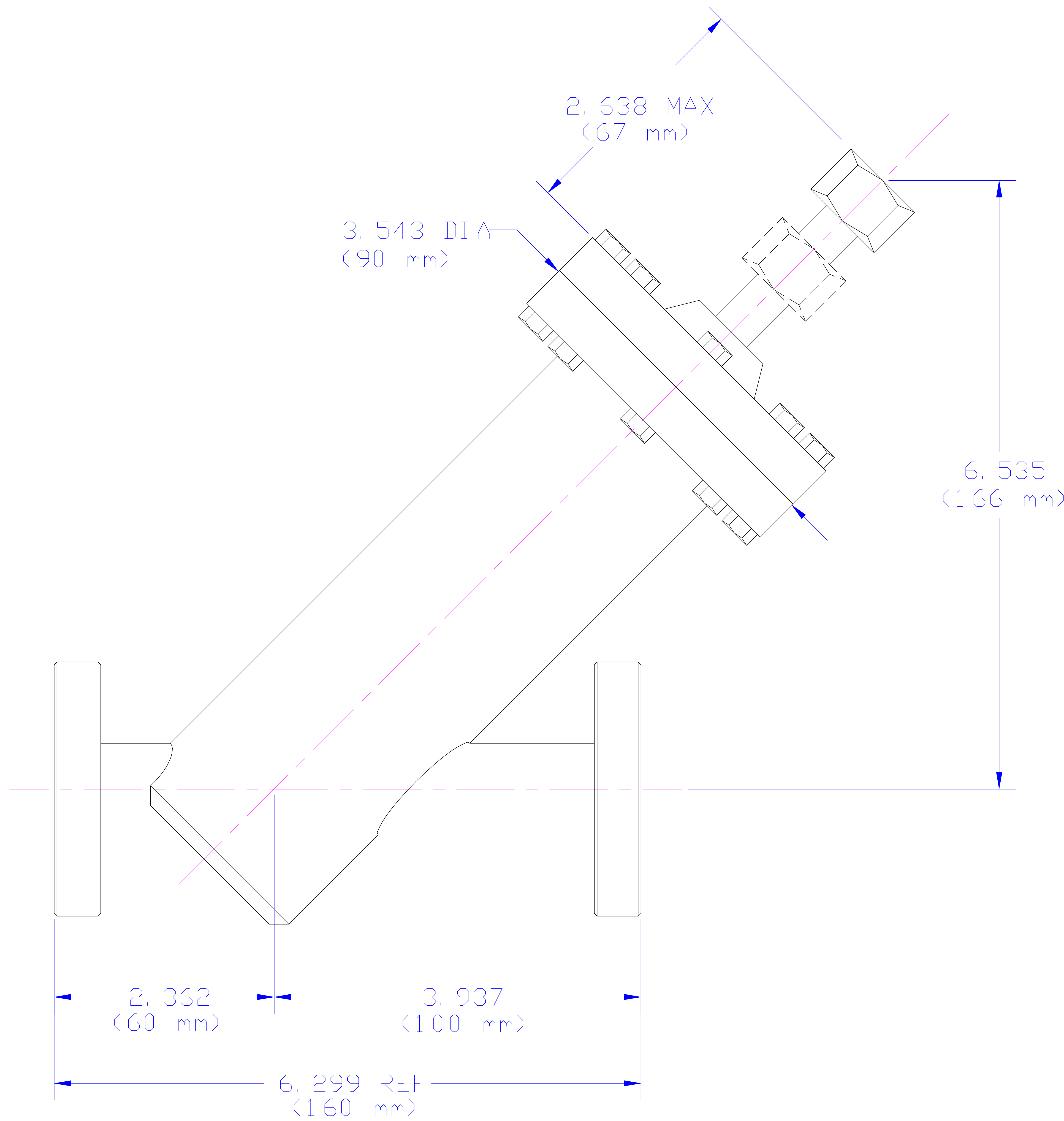


REV.	DATE	DESCRIPTION	BY	APP'D
1	5-89	REVISED FOR PART AS MANUFACTURED	URI BE	
2	6-89	ADDED SIDE VIEW	WAALER	
3	5-91	ADDED METRIC DIMENSIONS, CONFLAT	URI BE	



NOTES:

1. BEAM LINE FLANGES 2.75" (70 mm) CONFLAT
2. CLEAR BORE 0.866 (22 mm)

KURT LESKER VZCSD25R
(VACUUM GENERATORS CSD25R)

DRAWN BY SPESE	NUCLEAR PHYSICS LABORATORY UNIVERSITY OF ILLINOIS AT URBANA-CHAMPAIGN		METAL SEAL BEAM-LINE VALVE	
	UNLESS OTHERWISE SPECIFIED		PART NO.	SCALE
CHECKED BY	DIMENSIONS IN INCHES 2 PLACE DEC. ± .01	BREAK SHARP CORNERS 3 PLACES DEC. ± .003	NO. REQ'D.	1=1
APPROVED BY	FRACTIONAL ± 1/32"	ANGULAR ± 0° 30'	CHASSIS NO. OR MATERIAL LISTED	DATE 7-11-88
				FILE NO. 15
				DWG. NO. C-2709-21