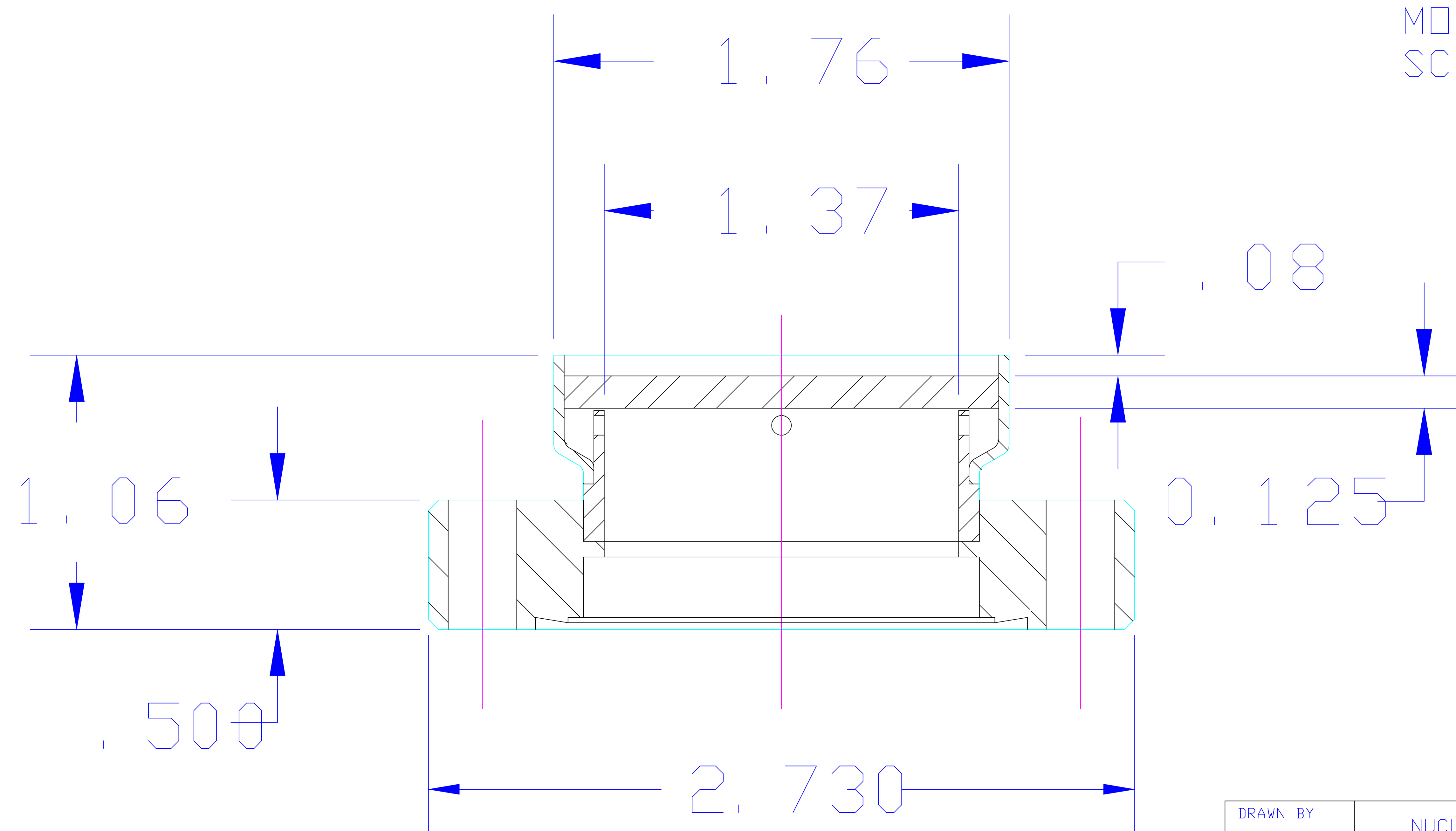


NOTES

1. SPEC SUPPORT TUBE TO BE MACHINED AFTER RELIEF HOLES ARE DRILLED WHEN ORDERING PART.
2. EXAMINE WINDOW BETWEEN CROSSED POLARIZERS UPON RECEIPT TO CHECK FOR STRAIN.
3. PART IS DEL-SEAL FLANGE-MOUNTED VIEWPORT MODEL NO. 601A0345-1 FROM INTERNATIONAL SCIENTIFIC INSTRUMENTS, HAYWARD, CA.



DRAWN BY URIBE	NUCLEAR PHYSICS LABORATORY UNIVERSITY OF ILLINOIS AT URBANA-CHAMPAIGN	QUARTZ VIEWPORT		
CHECKED BY	UNLESS OTHERWISE SPECIFIED	PART NO.	SCALE 2=1	FILE 12
APPROVED BY	DIMENSIONS IN INCHES 2 PLACE DEC. ± .01 BREAK SHARP CORNERS 3 PLACES DEC. ± .003 FRACTIONAL ± 1/32" ANGULAR ± 0° 30'	NO. REQ'D.	DATE 7-10-88	DWG. NO. C-2709-35
		CHASSIS NO. OR MATERIAL LISTED		