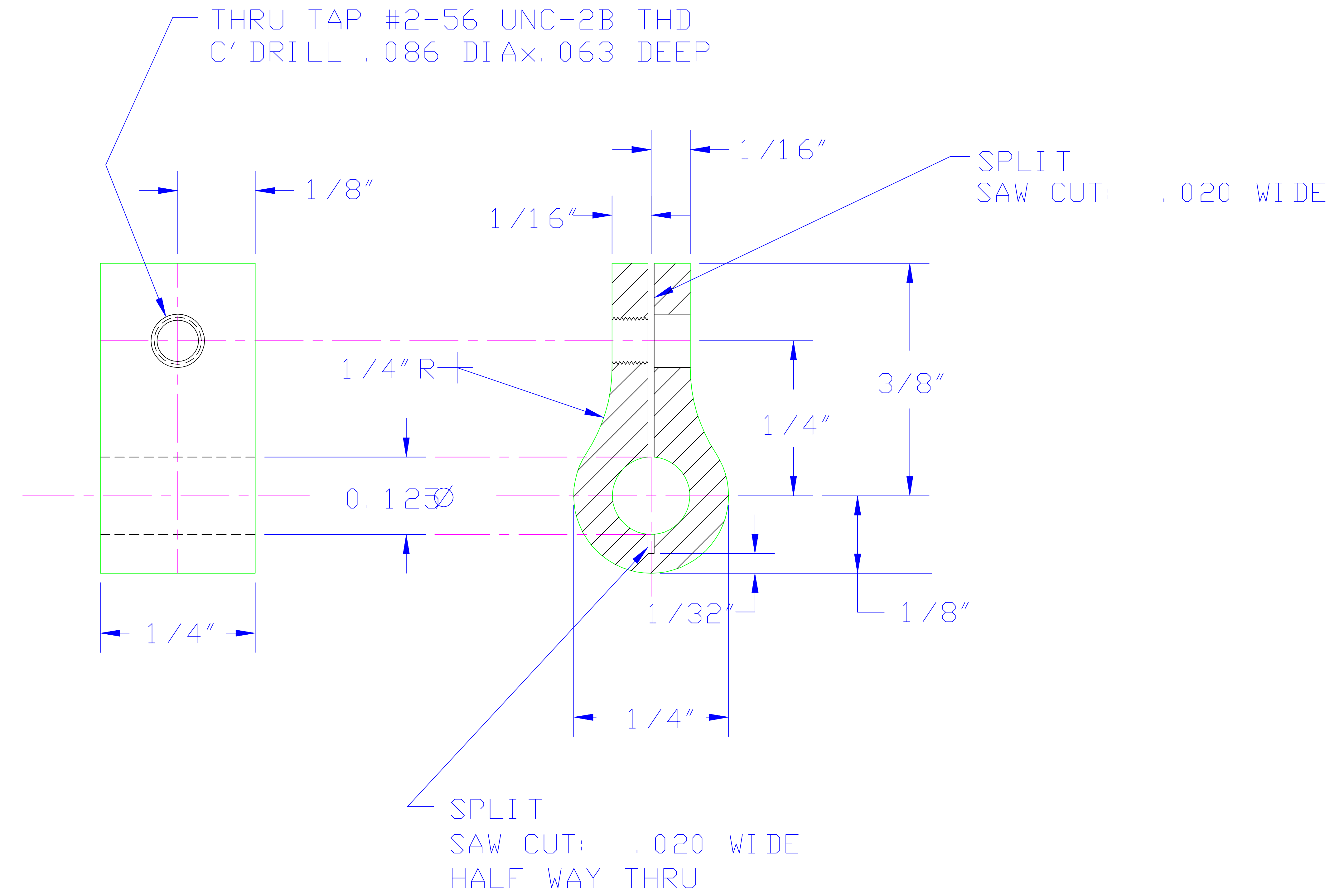


REV.	DATE	DESCRIPTION	BY	APP'D
1	6-89	INCREASED SAW CUT TO .020	WAALER	



NOTES

- MAT'L: 304 SST
- BLEND RADII-NO SHARP EDGES.

DRAWN BY URIBE	NUCLEAR PHYSICS LABORATORY UNIVERSITY OF ILLINOIS AT URBANA-CHAMPAIGN	THERMOCOUPLE SPRING CLAMP		
CHECKED BY	UNLESS OTHERWISE SPECIFIED	PART NO.	SCALE 5=1	FILE 15
APPROVED BY	DIMENSIONS IN INCHES 2 PLACE DEC. ±.01 BREAK SHARP CORNERS 3 PLACES DEC. ±.003 FRACTIONAL ±1/32" ANGULAR ±0°30'	NO. REQ'D.	DATE 7-10-88	DWG. NO. C-2709-41
		CHASSIS NO. OR MATERIAL LISTED		