



# Jefferson Lab Alignment Group

## Data Transmittal

**TO:** J. Butler, B. Wojtsekhowski, H. Szumila-Vance, A. Puckett

**DATE:** 01/26/2022

**FROM:** Chris Gould

**Checked:** TPSIII

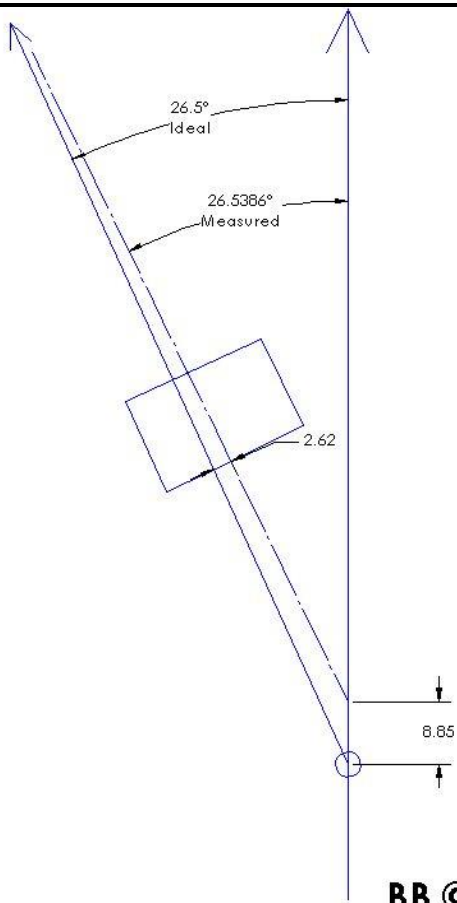
**# :** A2026

**DETAILS:**

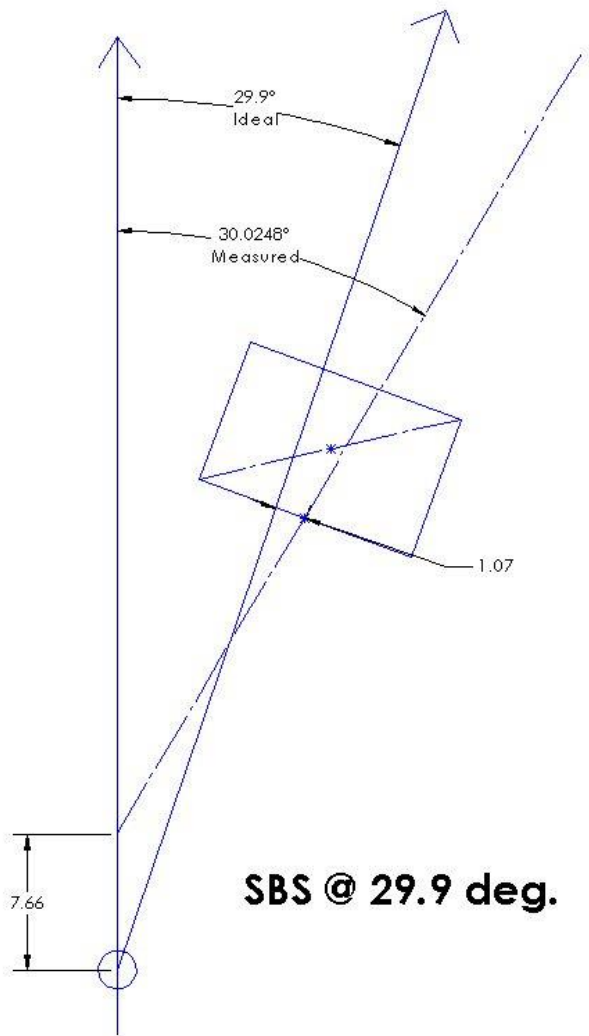
Step2B\HALLA\SBS\2201216A,B,

Below are the survey results of the Big Bite magnet positioned at 26.5 degrees and the SBS magnet at 29.9 deg and HCal detector positioned at 29.4 degrees. In a beam following coordinate system a + X is to the beam left, a + Y is above and a + Z is downstream of the ideal position.

	Ideal Dist From Tgt (Meters)	Beam Following (mm)			Rotations From Ideal(Degrees)			
		X	Y	Z	RX(pitch)	RY(yaw)	RZ(roll)	
<b>Correctors</b>								
SBSCM01	2.105	1.29	-3.15	10.44	-0.2798	0.6902	-0.0328	
SBSCM02	3.999	-2.91	0.23	3.10	-0.2045	0.5883	0.0388	
<b>Big Bite @ 26.5Deg.</b>								
BigBite Mag	2.000	-2.62	-1.36	-25.27	-0.0877	0.0386	0.0700	
BigBite Det	2.000	9.81	-0.62	66.81	-0.2296	-0.4129	-0.1219	
<b>Super Big Bite</b>								
SBS Mag @29.9 Deg	2.250	-1.07	5.11	2.77	0.0104	-0.1249	-0.0163	
HCal @ 29.4 Deg	11.000	-2.16	2.00	-2.20	-0.0673	-0.0683	0.0467	



**BB @ 26.5 deg.**



**SBS @ 29.9 deg.**