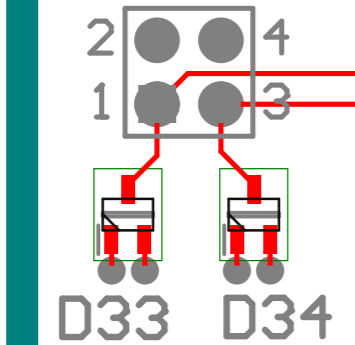
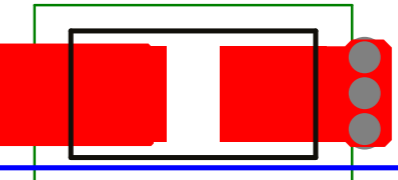


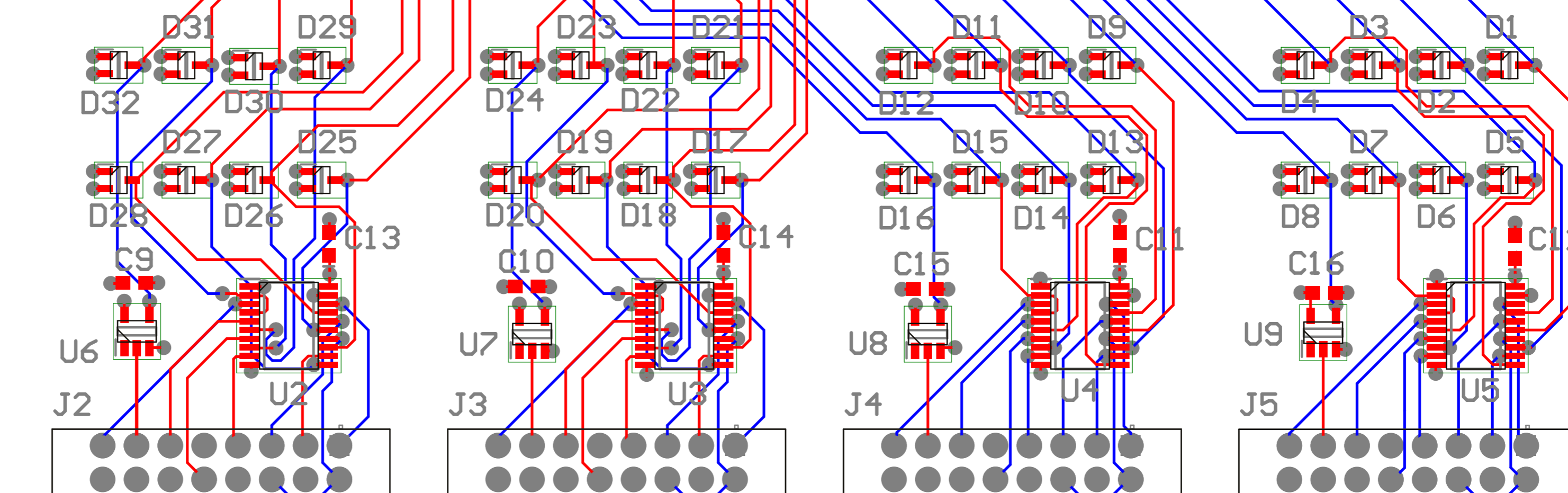
P1



F1



C1
C2



DSG MSELV RMC
MM/TL/PB 4/15/20

MSELV RMC_U1

Top PWR T08

3025.00
1576.00
126.00

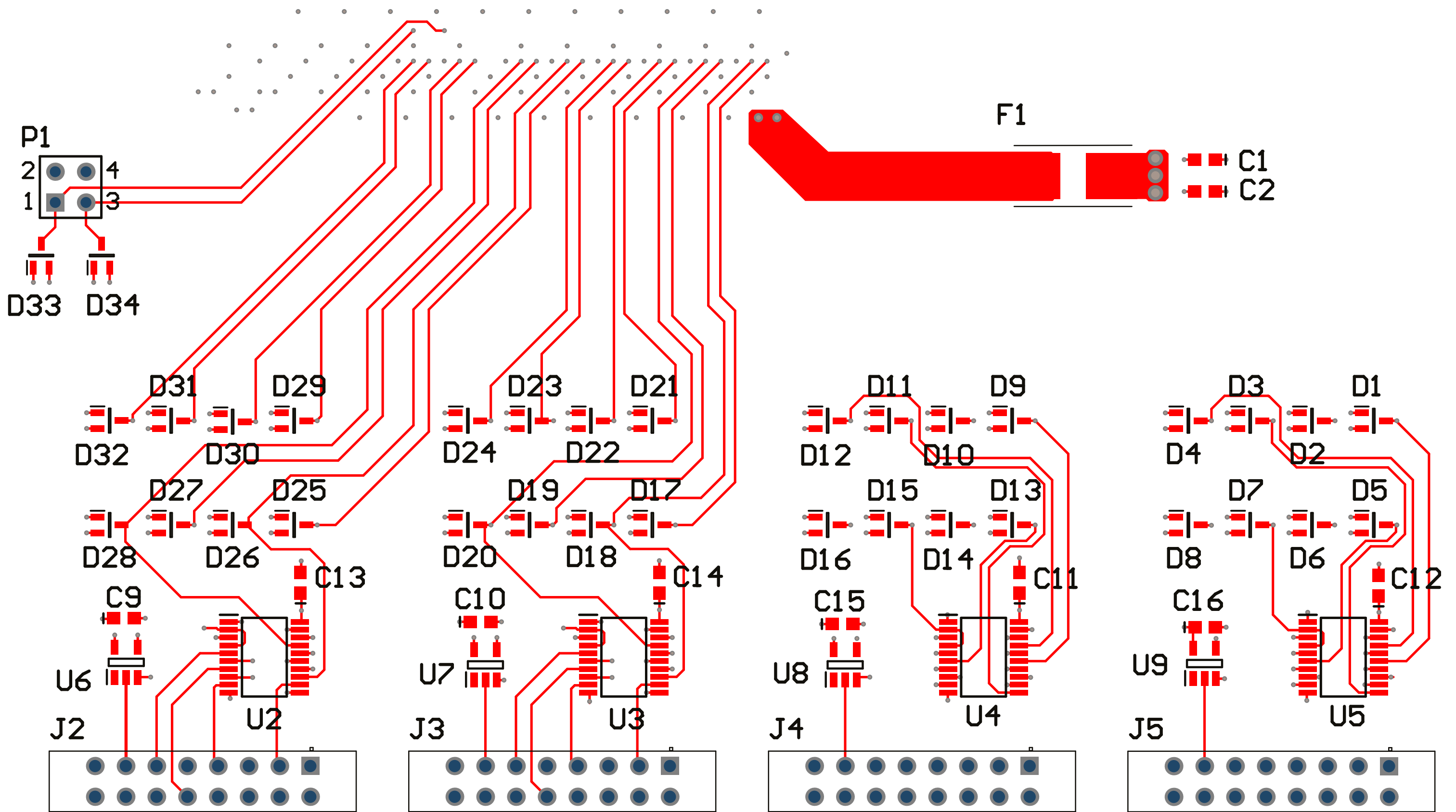
4800.00

3809.00

3874.00

4075.00

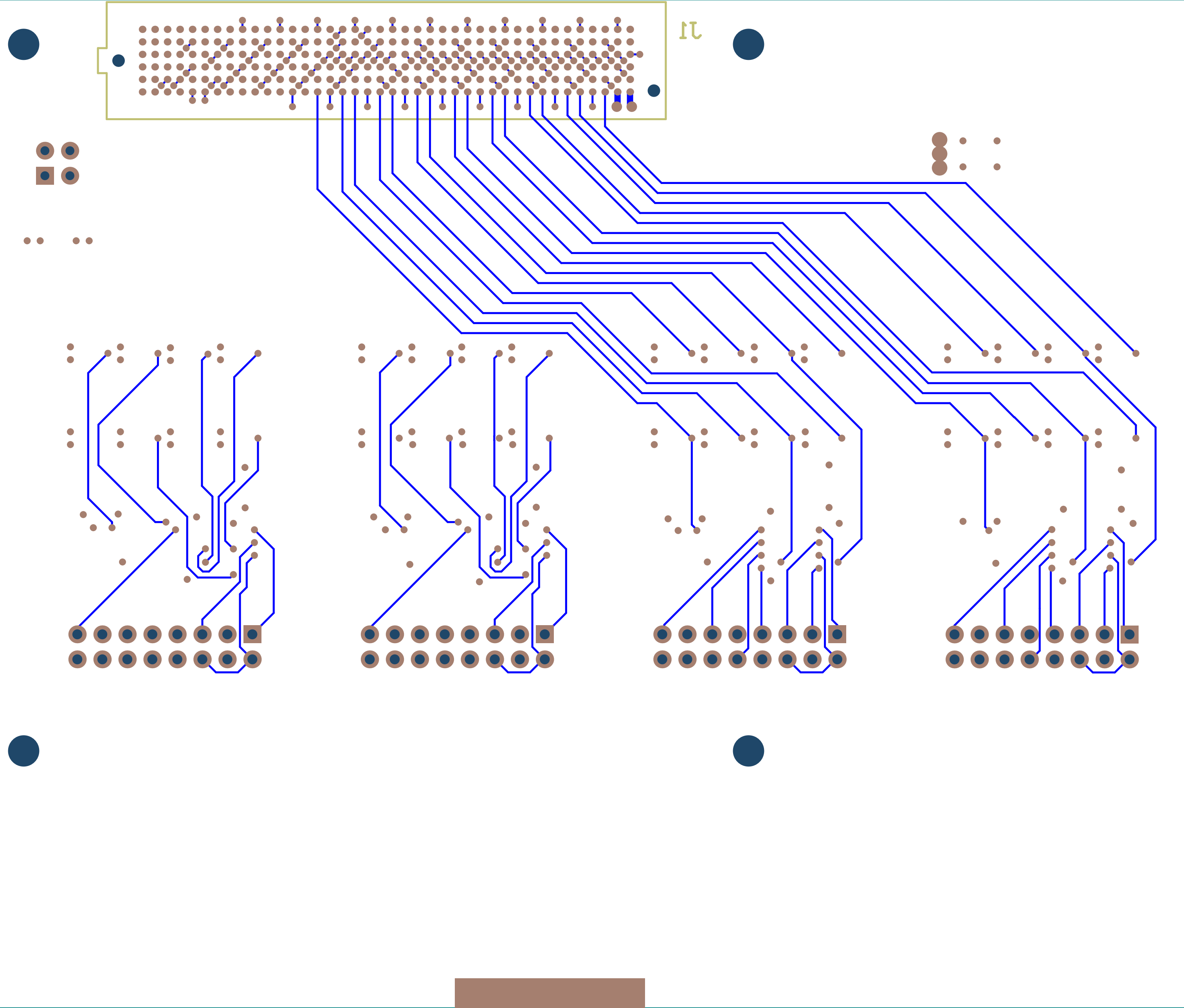
1050.00

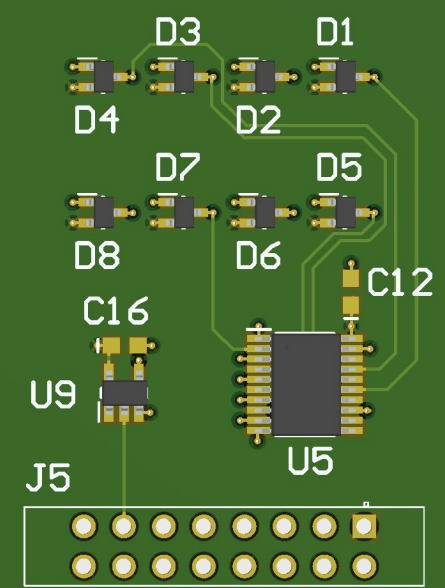
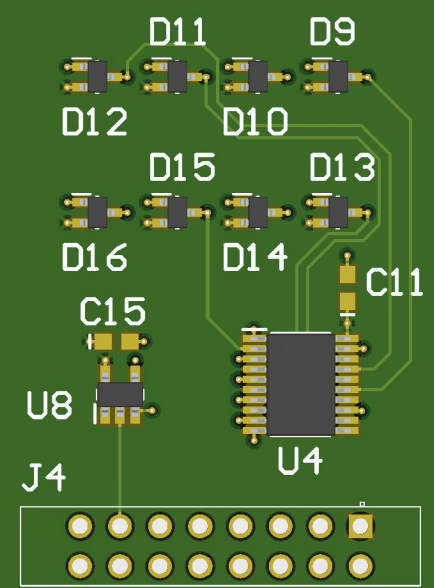
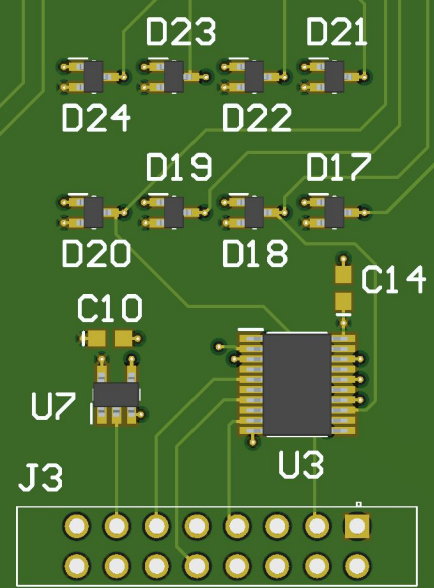
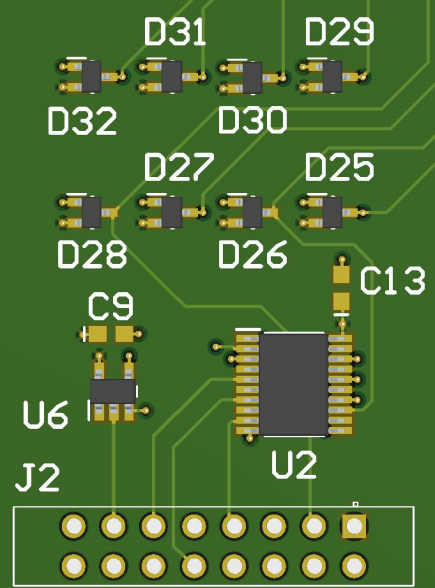
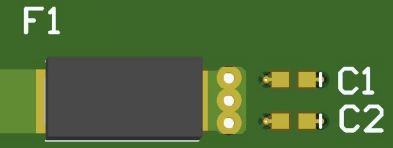
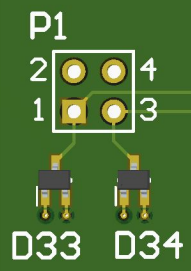


DSG MSELV RMC
 MM/TL/PB 4/15/20

MSELV RMC_U1

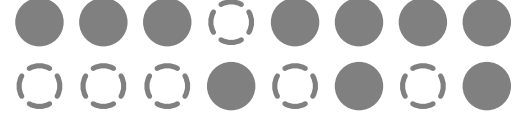
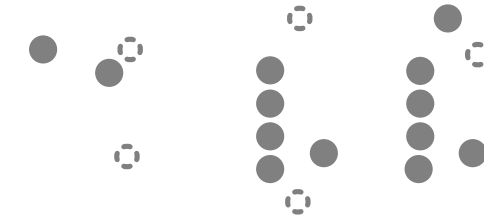
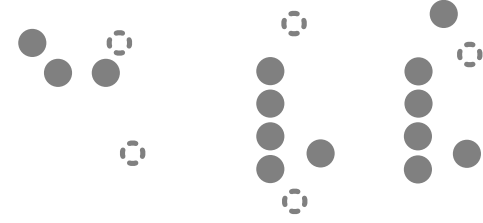
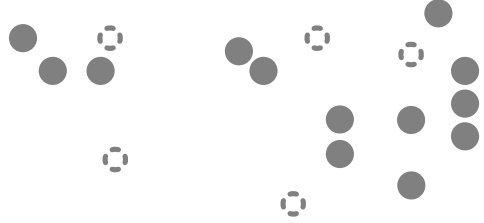
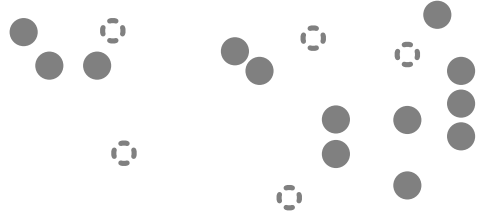
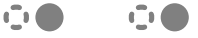
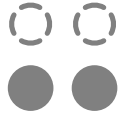
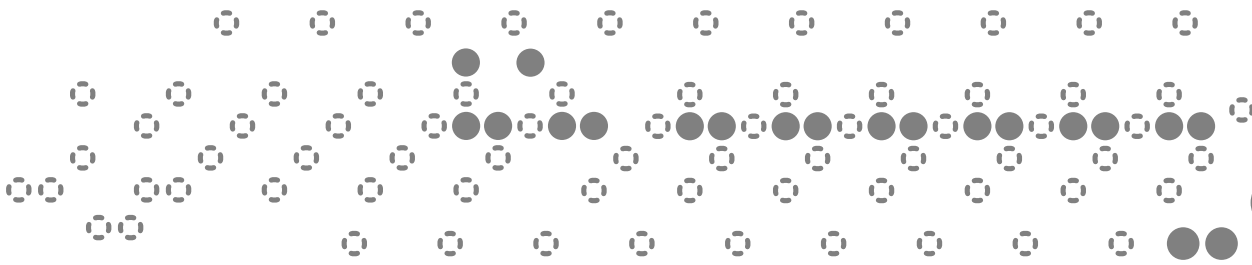
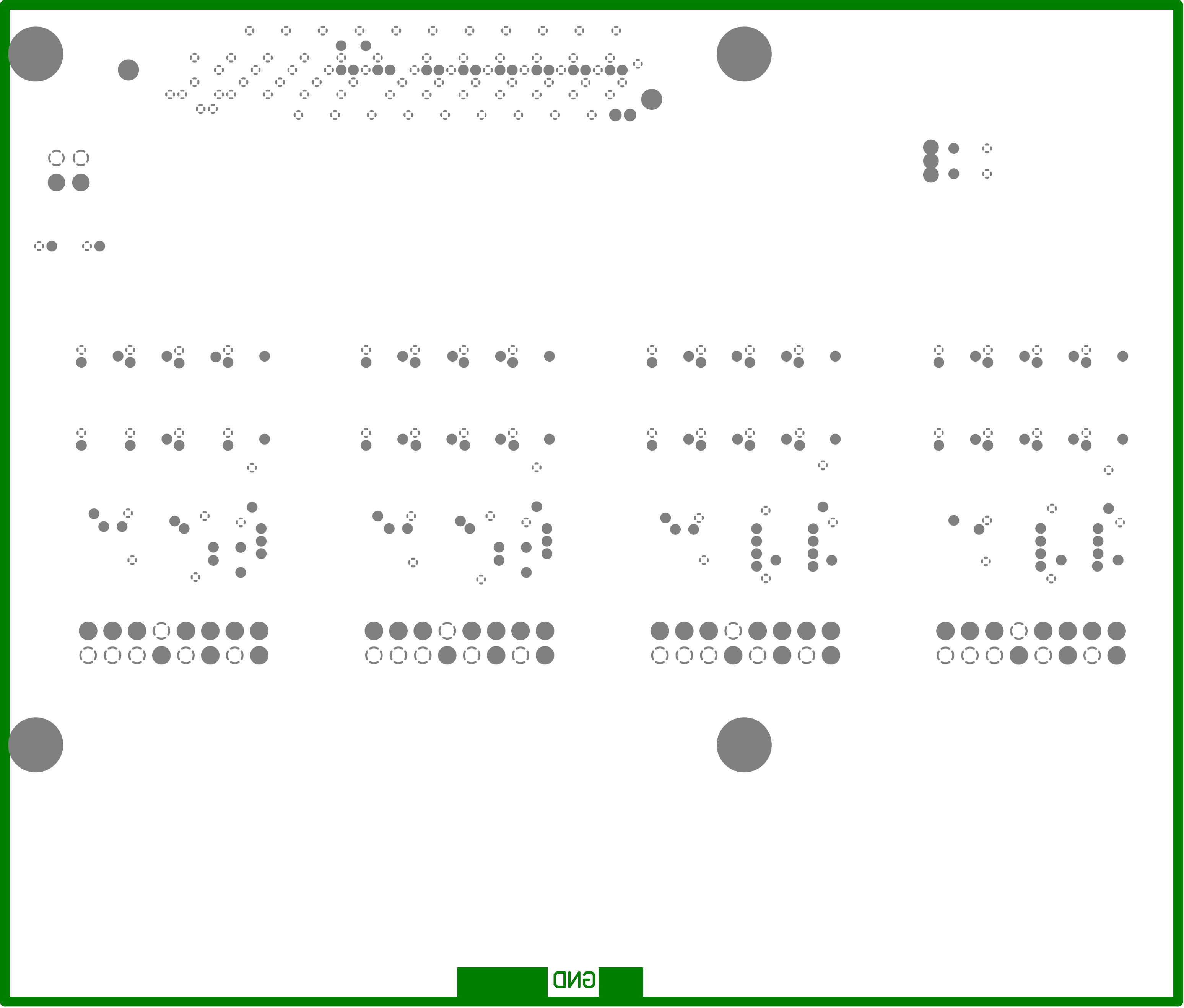
Top





DSG MSELV RMC
MM/TL/PB 4/15/20

MSELV RMC_V1



END

