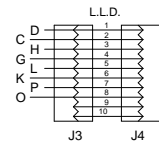
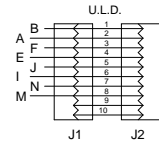
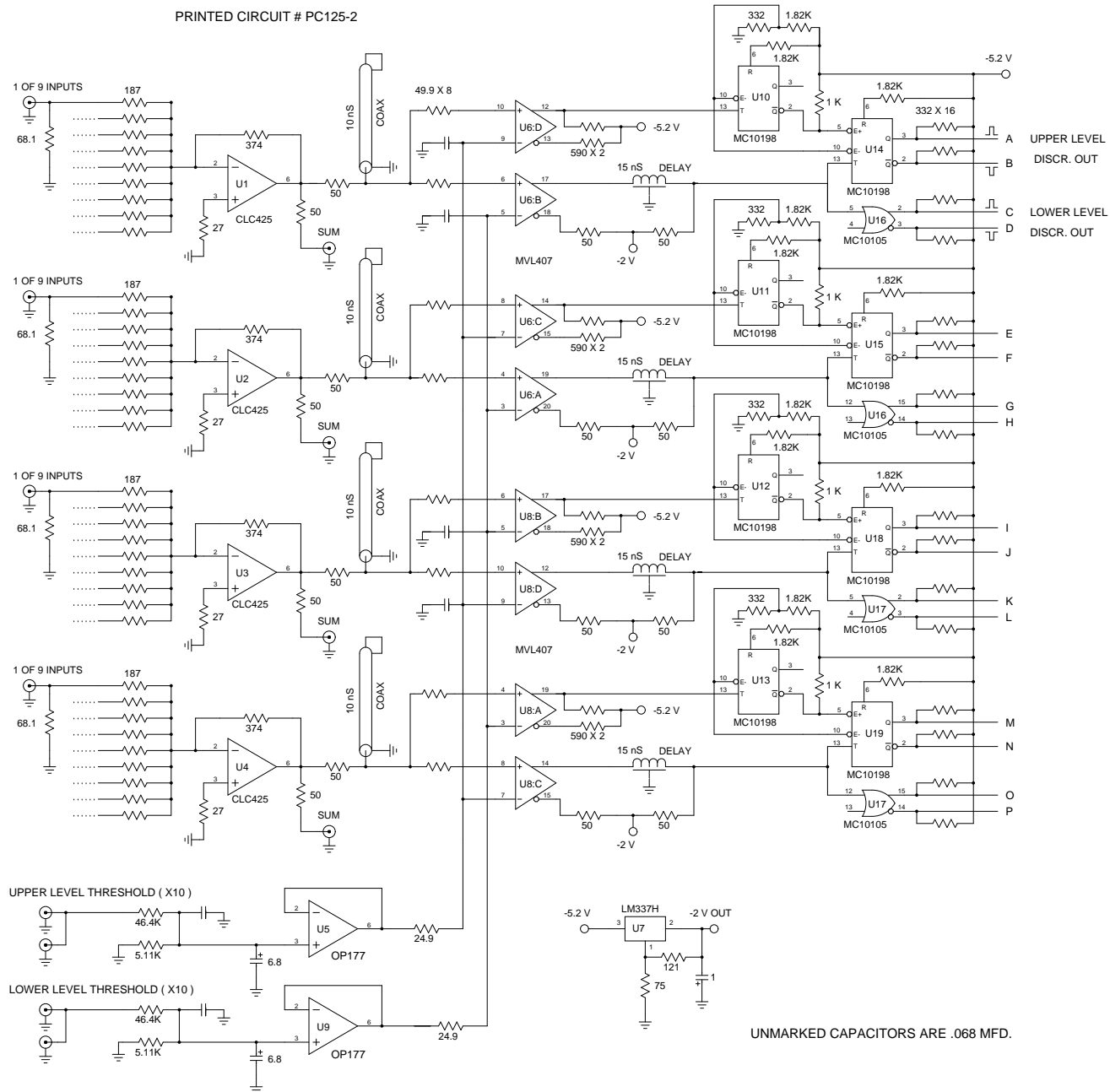


UVA 125A - QUAD SUMMING AMP.- DISCRIMINATOR (6/01)

PRINTED CIRCUIT # PC125-2



UNMARKED CAPACITORS ARE .068 MFD.