

DSG Engineering Meeting Minutes

Date: March 05, 2024

Time: 02:00PM – 03:00PM

Attendees: Mary Ann Antonioli, Aaron Brown, Pablo Campero, George Jacobs, Mindy Leffel, Tyler Lemon, Marc McMullen, and Amrit Yegneswaran

1. DSG - Website

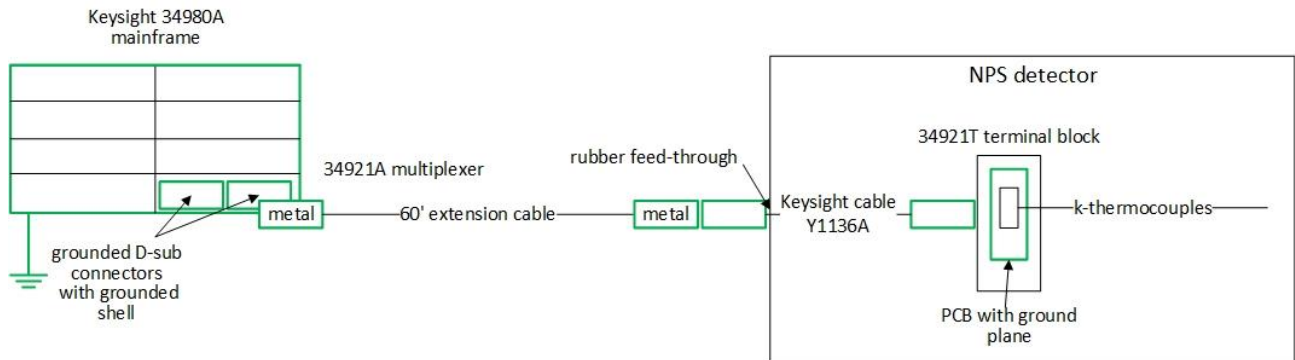
Aaron Brown

1. Reviewed the different text formats available for use in Drupal – Full HTML, Full HTML (No WYSIWYG), Filtered HTML, Basic HTML, and Display Suite Code
 - Anyone who doesn't currently have permission to edit the Notes & Talks webpage in Display Suite Code format will need to email the webmaster (Dave Choppard) to get permission
2. Mary Ann will redo the formatting for all talks from 2020 onward
3. Text entry box on Notes & Talks webpage is case sensitive; Aaron will change this to be case insensitive

2. Hall C – NPS

Aaron Brown

1. Reviewed revised Keysight grounding schematic



NPS Keysight Grounding
Mary Ann Antonioli
2/29/24

2. Aaron will draw a new schematic detailing the whole Keysight system and what sensors are connected to which multiplexers and how the connections are made

3. Hall D – FCAL2

Aaron Brown

1. Mindy has fabricated 1495 of 1650 sockets
2. George has tested 375 PMT divider bases