

Cleaning up NPS Control and Monitoring LabVIEW Code

Mary Ann Antonioli
2023-07

To further reduce space used by the LabVIEW code written for NPS control and monitoring, and to make the code easier to follow, I am creating sub-routines of the case structures of shared variables.

Figure 1 shows an example of a group of case structures for the lo limit arrays. After creating a sub-routine of the code, the cases will be replaced by a small square, examples shown in Fig. 2.

- **Clean-up in process for ease of understanding and space minimization**
- **Sub-routines being created to replace cases**

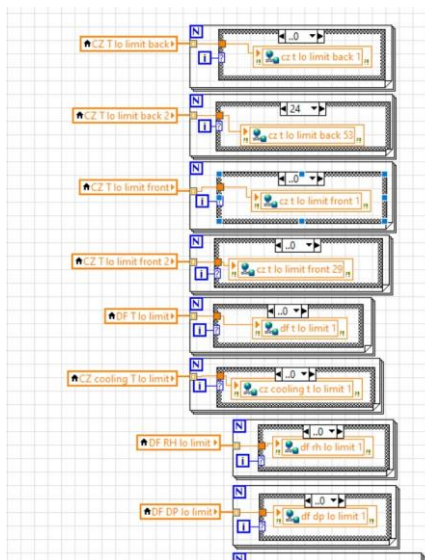


FIG. 1. Screenshot of case structures.

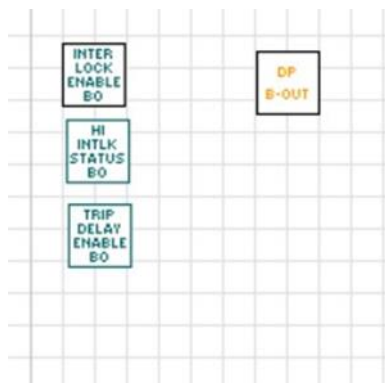


FIG 2. Example of sub-routines replacing cases.

