

Instrumentation and Controls Diagrams for Møller

Mary Ann Antonioli
2023-01

Instrumentation and controls diagrams are required for the Møller experiment's instrumentation. In addition to the instrumentation diagrams, there are diagrams made by component companies, such as Siemens. The plan is to, instead of creating brand new drawings, modify existing drawing.

Figure 1 shows a Siemens drawing of a programmable logic controller module that will be used with 3-wire temperature sensors. The drawing shows 4-wire (channel 0), 3-wire (channel 2), and possible 2-wire (channels 4–8) connections. Since only 3-wire connections are needed, the drawing was modified, Fig. 2.

- **Modifying instrumentation and controls drawings for Møller**

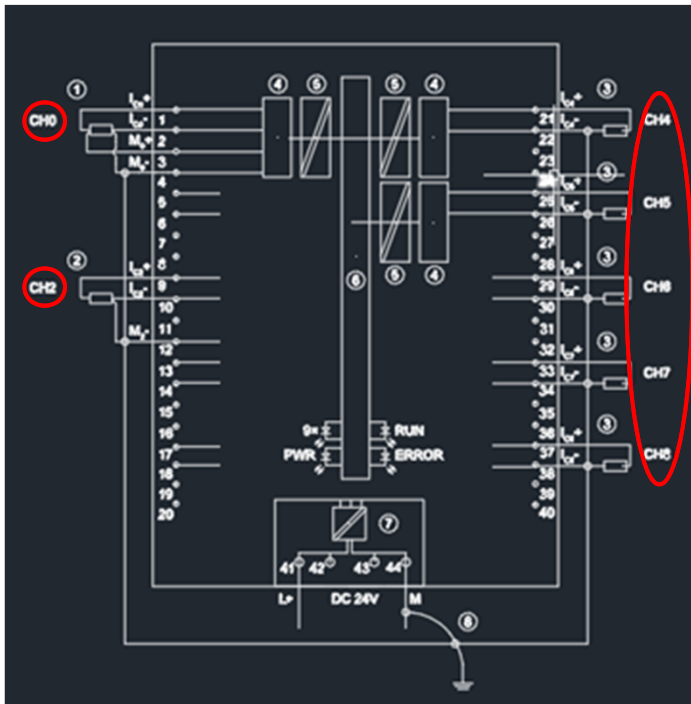


FIG. 1. Siemens drawing of a programmable logic controller.

Instrumentation and Controls Diagrams for Møller

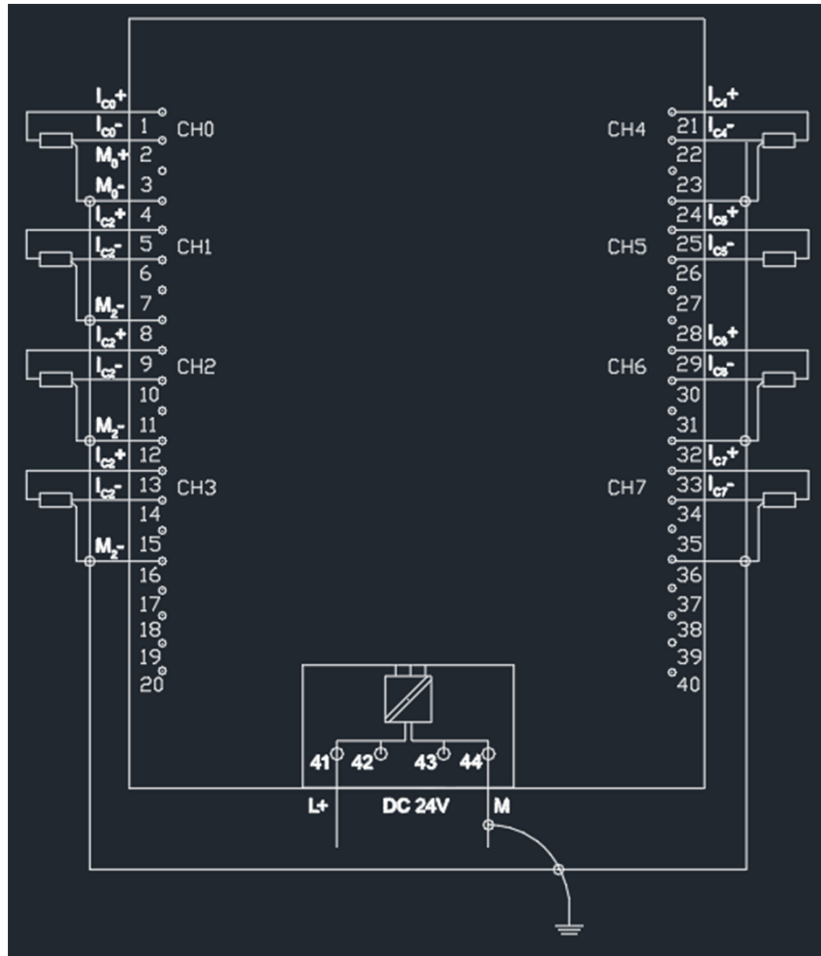


FIG. 2. Modified Siemens drawing.

For the modified drawing, the 2-wire and 4-wire connections were replaced with 3-wire connections. The circuitry internal to the module was removed since it is irrelevant. Text edits were made.