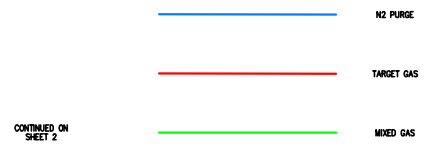


REVISION HISTORY				
ZONE	REV	DESCRIPTION	DATE	APPROVED
B6	A	ADD FLT303 AND FLT304	3/3/2020	RMILLER
B7	B	ADD TWO ADDITIONAL BOTTLES OF He4/Co2	2020/08/13	RMILLER



LEGEND

SYMBOLS

- MV12345: MANUAL VALVE
- CV12345: CHECK VALVE
- PR12345: PRESSURE VALVE
- RV12345: REDUCING/REGULATING
- RV12345 SP 90 PSIG: RELIEF VALVE
- REDUCER
- CAP
- LINE CONN
- CHANGE OF LINE NUMBER
- CHANGE OF LINE NUMBER
- INTERFACE NUMBER

LINE NUMBERING

B1-AR-2"SIG-300-CS

MATERIAL:
 SS - STAINLESS STEEL
 CS - CARBON STEEL
 AL - ALUMINUM
 CU - COPPER
 NY - NYLON

DESIGN PRESSURE (PSIG)

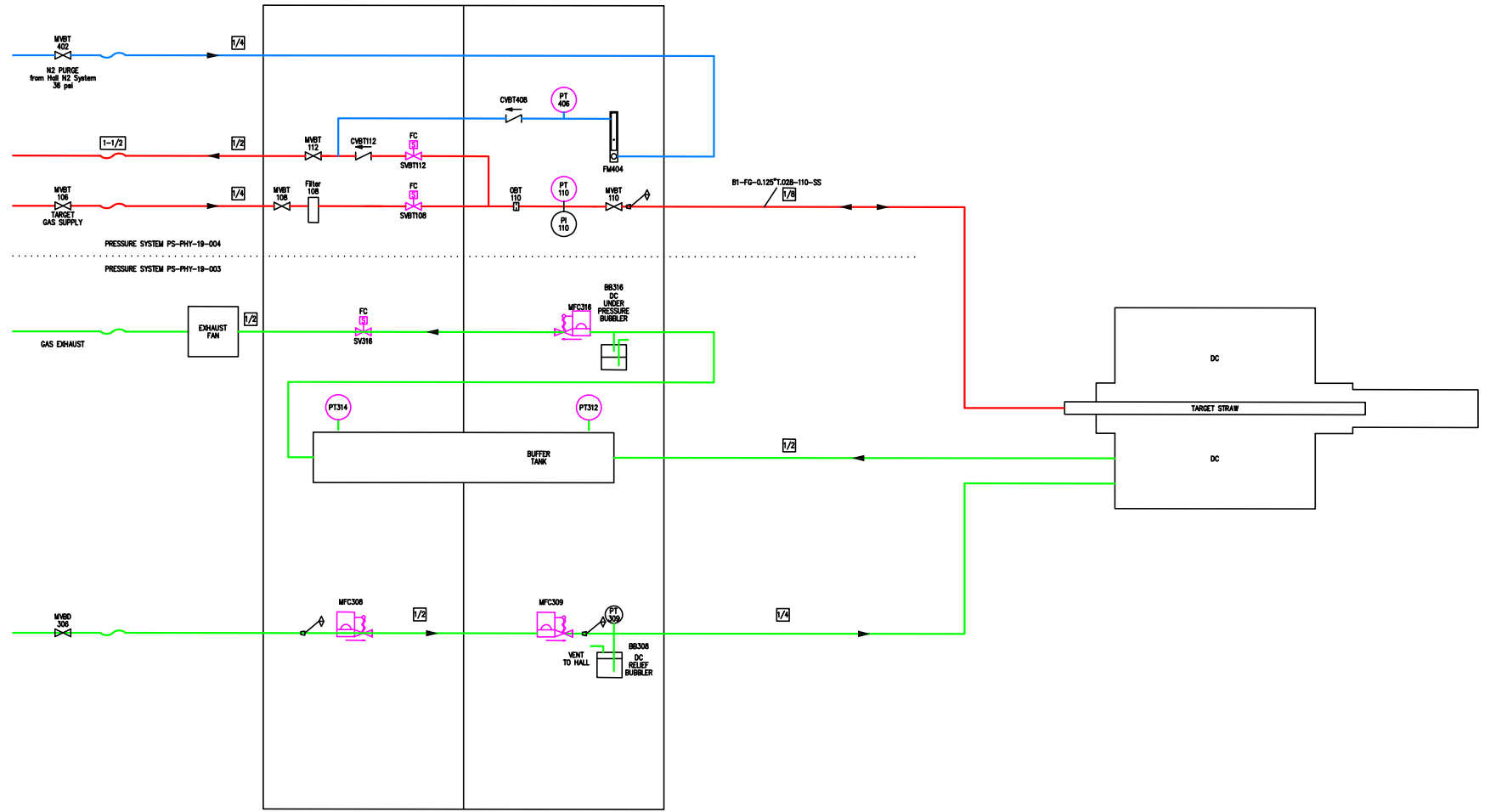
PIPE SIZE AND SCHEDULE
 2: PIPE SCHEDULE
 1: TUBE

SERVICE:
 He - HELIUM
 HC - HELIUM / CO2
 FG - FLAMMABLE GAS

LOCATION:
 B1 - HALL B
 B2 - GAS SHED (960)
 B3 - GAS PAD

DOCUMENT CONTROL STAMP	DIM & TOL PER ASME Y14.5 UNLESS OTHERWISE SPECIFIED DIMENSIONS ARE IN INCHES FRACTIONS DECIMAL ANGLES $\pm 1/8$ $\pm .01$ $\pm .50$ THIRD ANGLE PROJECTION	DWG NO. B00000-01-25-PD01	Thomas Jefferson National Accelerator Facility UNITED STATES DEPARTMENT OF ENERGY
MATERIAL	THIRD ANGLE PROJECTION	DRAWN WIGGINS, CYRIL 2020/01/01	HALL B 01 DETECTORS 25 ALERT BONUS GAS DISTRIBUTION
FRESH MACHINED SURFACES DEBURR & BREAK ALL SHARP EDGES		CHECKED APPROVED APPROVED	SHE Dwg. NO. B00000-01-25-PD01 SCALE 1:1 SHEET 1 OF 2

REVISION HISTORY				
ZONE	REV	DESCRIPTION	DATE	APPROVED
B6	A	ADD FLT303 AND FLT304	3/3/2020	RMILLER
B7	B	ADD TWO ADDITIONAL BOTTLES OF He4/Co2	2020/08/13	RMILLER



HALL B LEVEL 1 SPACEFRAME

CONTINUED ON SHEET 1