

1 2 3 4 5 6 7 8 9 10

A A

B B

C C

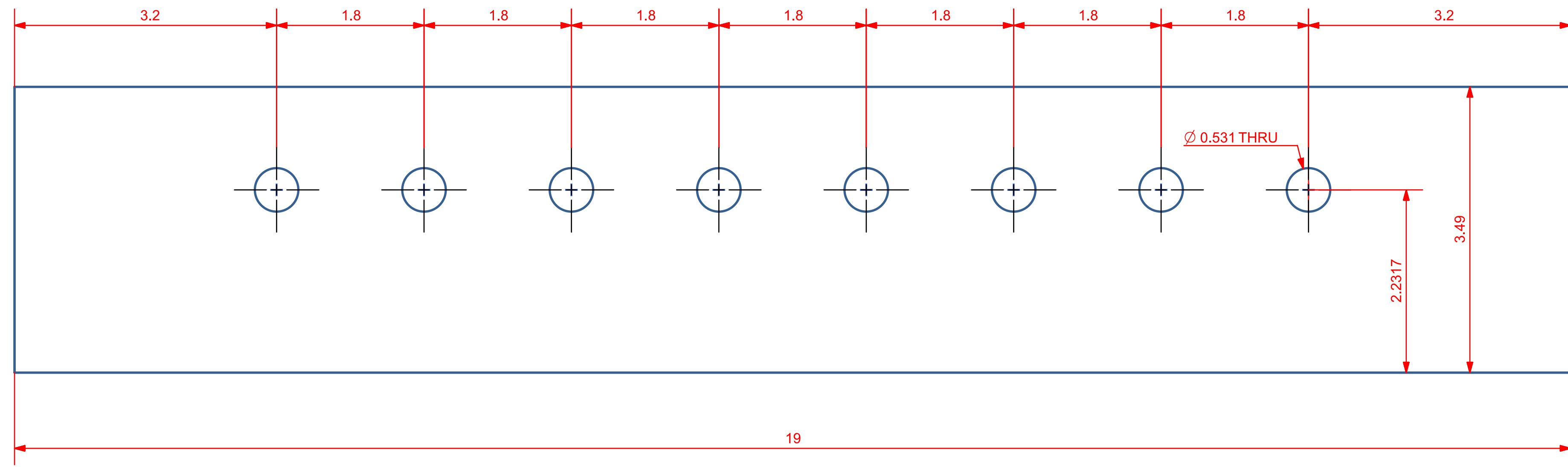
D D

E E

F F

G G

H H



NOTES:  
 1. All dimensions are in inches  
 2. All holes are 17/32" (0.531") thru holes

Revisions  
 A. Updated location of throughholes  
 B. Updated size of channel labels  
 C. Removed channel labels

DOCUMENT CONTROL STAMP	DIM & TOL PER ASME Y14.5 - UNLESS OTHERWISE SPECIFIED DIMENSIONS ARE IN INCHES TOLERANCES ARE: FRACTIONS DECIMAL ANGLES $\pm 1/8$ $\pm .1$ $\pm .50^\circ$ $\pm .XX$ $\pm .01$ $\pm .XXX$ $\pm .005$	TRACKING NO.		 Thomas Jefferson National Accelerator Facility NEWPORT NEWS, VIRGINIA UNITED STATES DEPARTMENT OF ENERGY <b>Hall A</b> <b>GEM Gas System</b> <b>Flow Sensor Chassis</b> <b>Front Panel</b>	
		APPROVALS	DATE		
MATERIAL	THIRD ANGLE PROJECTION	DRAWN Tyler Lemon	2020-12-14	SIZE <b>C</b> DWG. NO. SCALE <b>1:1</b> USED ON ASSY NO. SHEET <b>1</b> OF <b>3</b>	
FINISH MACHINED SURFACES DEBURR & BREAK ALL SHARP EDGES		CHECKED			
UNLESS OTHERWISE NOTED FINISH MACHINED SURFACES DEBURR & BREAK ALL SHARP EDGES		APPROVED			
DO NOT SCALE DRAWING		APPROVED			REV. <b>C</b>

1 2 3 4 5 6 7 8 9 C

1 2 3 4 5 6 7 8 9 10

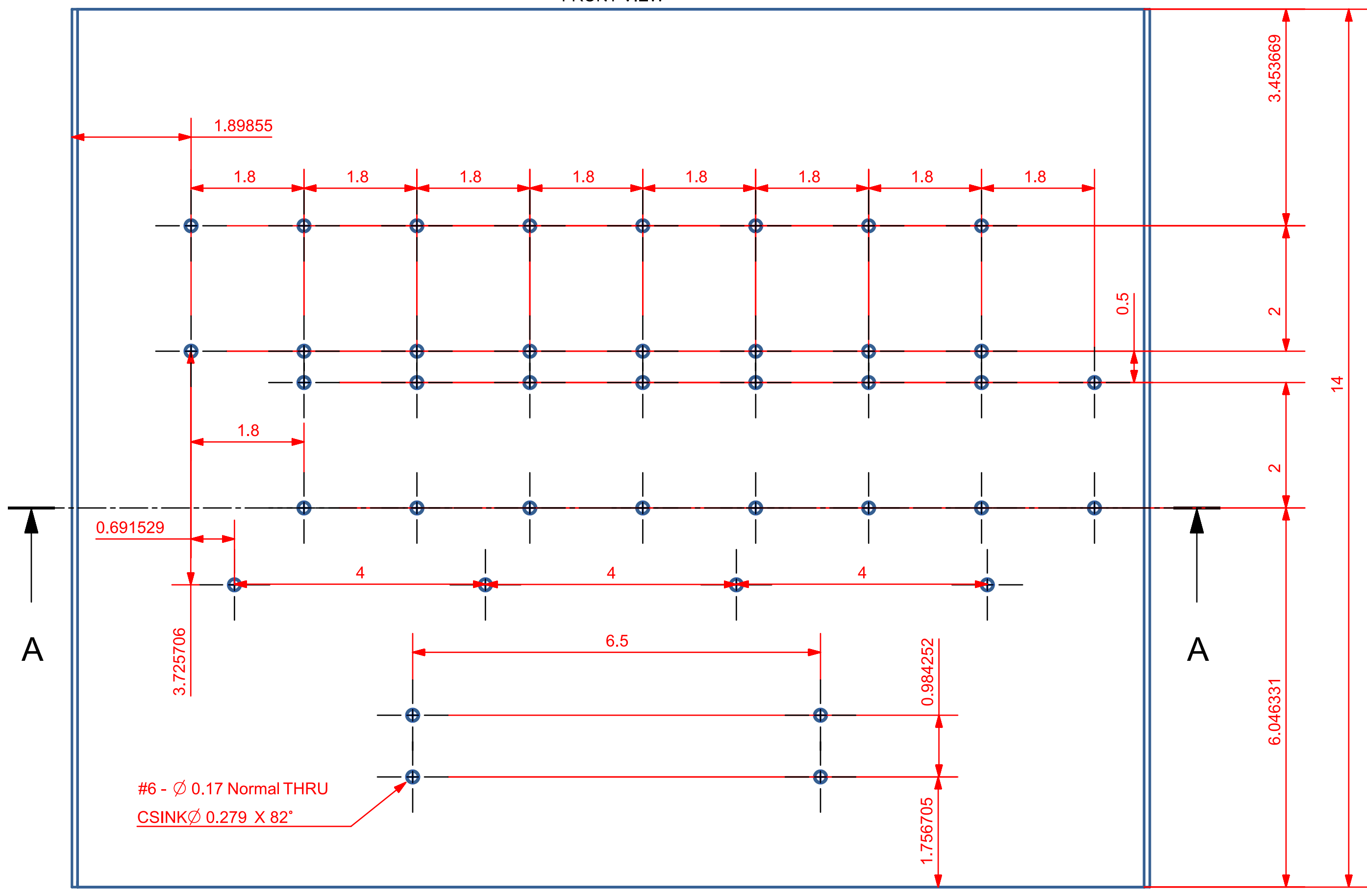
A A

TOP VIEW

LEFT VIEW

RIGHT VIEW

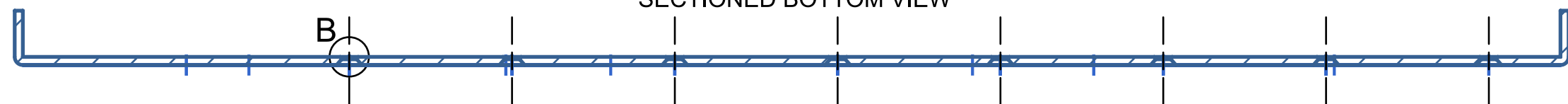
FRONT VIEW



A

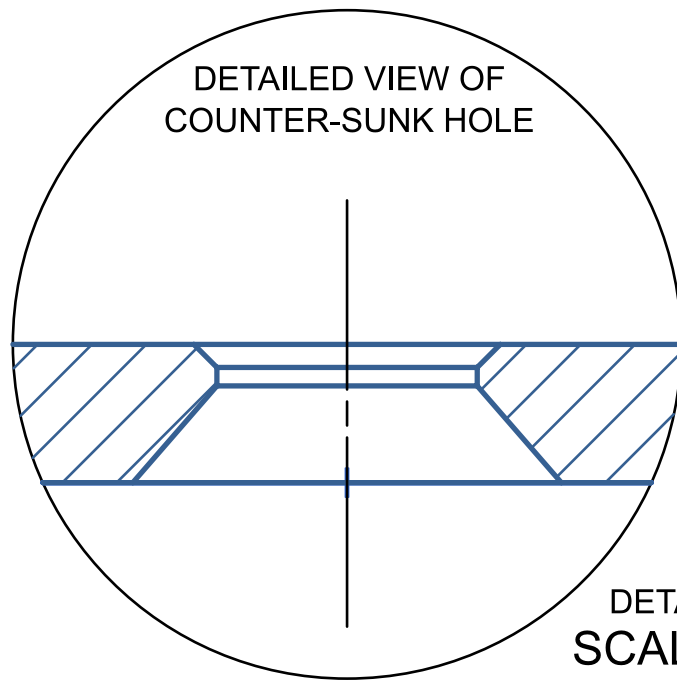
A

SECTIONED BOTTOM VIEW



SECTION A-A

Revisions  
A. Moved flow sensor mounting holes;  
Added mounting holes for a cableway  
between multiplexer and flow sensors



- NOTES:  
1. All dimensions are in inches  
2. All holes are #6 (0.17" clearance) counter-sunk thru holes  
3. All counter-sunk holes are counter-sunk from the bottom panel

DETAIL B  
SCALE 8:1

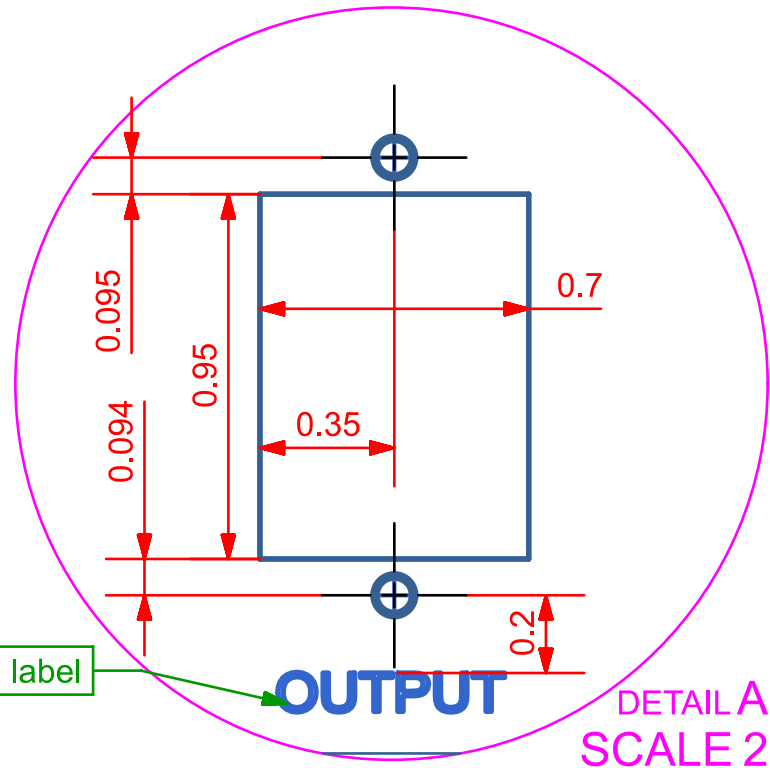
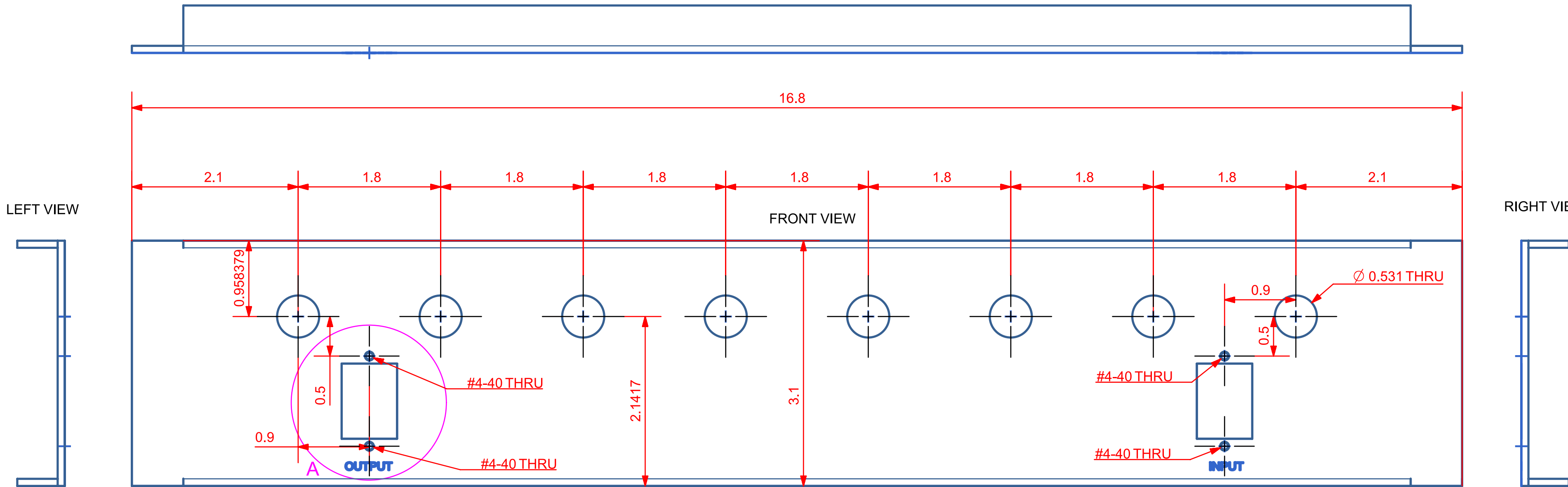
DOCUMENT CONTROL STAMP	DIM & TOL PER ASME Y14.5 - UNLESS OTHERWISE SPECIFIED DIMENSIONS ARE IN INCHES		TRACKING NO.		 Thomas Jefferson National Accelerator Facility NEWPORT NEWS, VIRGINIA UNITED STATES DEPARTMENT OF ENERGY
	TOLERANCES ARE: FRACTIONS ± 1/8 DECIMAL .XX ± .01 .XXX ± .005 ANGLES ± .50°		APPROVALS	DATE	
MATERIAL	THIRD ANGLE PROJECTION		DRAWN Tyler Lemon	2020-11-16	Hall A GEM Gas System Flow Sensor Chassis Bottom Panel
FINISH MACHINED SURFACES DEBURR & BREAK ALL SHARP EDGES			CHECKED		
UNLESS OTHERWISE NOTED	DO NOT SCALE DRAWING		APPROVED		
			APPROVED		SIZE C SCALE 1:1.5 DWG. NO. USED ON ASSY NO.
					REV. A SHEET 2 OF 3

1 2 3 4 5 6 7 8 9 C

H

H

TOP VIEW



BOTTOM VIEW

- NOTES:
- All dimensions are in inches
  - All holes are 17/32" (0.531") thru holes
  - Text labels are screen-printed labels
  - "INPUT" and "OUTPUT" labels are 0.1" tall
  - "INPUT" and "OUTPUT" labels should be centered on and 0.2" below #4-40 thru hole (see Detail A)

- Revisions::
- Corrected cutout size for RJ11 feedthroughs.
  - Updated gas line connector feedthrough locaitons; added Detail A for RJ11 cutouts
  - Moved channel labels to under bulkhead connector holes
  - Removed channel labels.

DOCUMENT CONTROL STAMP	DIM & TOL PER ASME Y14.5 - UNLESS OTHERWISE SPECIFIED DIMENSIONS ARE IN INCHES TOLERANCES ARE: FRACTIONS DECIMAL ANGLES ± 1/8 ± .01 ± .50° :XX ± .01 :XXX ± .005	TRACKING NO.		 Thomas Jefferson National Accelerator Facility NEWPORT NEWS, VIRGINIA UNITED STATES DEPARTMENT OF ENERGY
		APPROVALS	DATE	
MATERIAL	THIRD ANGLE PROJECTION	DRAWN Tyler Lemon	2020-12-14	Hall A GEM Gas System Flow Sensor Chassis Rear Panel
FINISH MACHINED SURFACES UNLESS OTHERWISE NOTED DEBURR & BREAK ALL SHARP EDGES		CHECKED		
DO NOT SCALE DRAWING		APPROVED		
		APPROVED		SIZE <b>C</b> DWG. NO. SCALE 1:1 USED ON ASSY NO. SHEET 3 OF 3

Jefferson Lab  
Thomas Jefferson National Accelerator Facility  
NEWPORT NEWS, VIRGINIA  
UNITED STATES DEPARTMENT OF ENERGY

Hall A  
GEM Gas System  
Flow Sensor Chassis  
Rear Panel

SIZE **C** DWG. NO.  
SCALE 1:1 USED ON ASSY NO. SHEET 3 OF 3

