

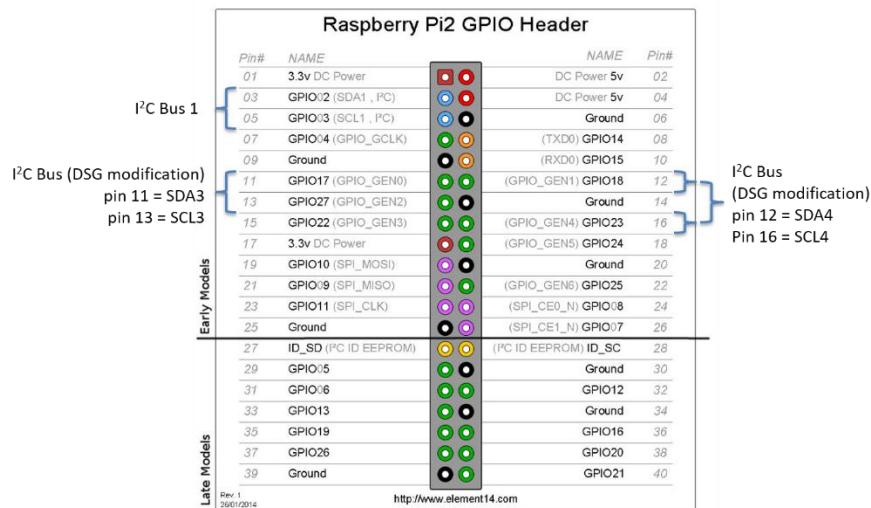
DSG-GEM R&D Meeting Minutes

Date: February 8, 2021

Time: 11:00 – 12:00

Attendees: Peter Bonneau, Brian Eng, George Jacobs, Tyler Lemon, Marc McMullen, and Amrit Yegneswaran

1. Marc McMullen procured spacer panels needed for the GEM gas distribution system and cable management channels for the nine production gas flow sensor chassis
2. George Jacobs procured additional fittings for the pressure regulators
3. Marc McMullen and Brian Eng modified two pairs of the Raspberry Pi's General Purpose Input/Output channels by modifying the Raspberry Pi configuration files; these channels have been reconfigured to I²C data and clock buses



- 3.1. Pull-up resistors (5 K Ω) are required to support the newly configured I²C bus channels; for the final version Marc McMullen will procure a mezzanine board to provide connectivity for the resistors and cabling



Figure 1. Raspberry Pi with mezzanine board

4. Marc McMullen continued integration of the pressure transducer readback code into the flow readout program, using the reassigned I²C buses; tested the pressure sensor with the Raspberry Pi

5. Marc McMullen will continue additional upgrades to the software on the Raspberry Pi, including a system heartbeat to indicate that the program is running and a date time stamp
6. Mindy Leffel terminated 160 of 272 BNC-to-Lemo cables and bundled them into groups of 16; still need to be tested for continuity
 - 6.1. Marc McMullen ordered 720 additional labels for the signal cables