

DSG-GEM R&D Meeting Minutes

Date: March 29, 2021
Time: 11:00 – 12:00

Attendees: Peter Bonneau, Aaron Brown, Pablo Campero, Brian Eng, George Jacobs, Tyler Lemon, Marc McMullen, and Amrit Yegneswaran

1. Assembly of Super BigBite Spectrometer’s supply gas flow chassis

George Jacobs, Mindy Leffel, Tyler Lemon, and Marc McMullen,

1. Two of six SBS gas flow sensor chassis have been assembled
 - Chassis 1 will have two high flow and six standard flow channels
 - Chassis 2 will have eight standard flow sensors

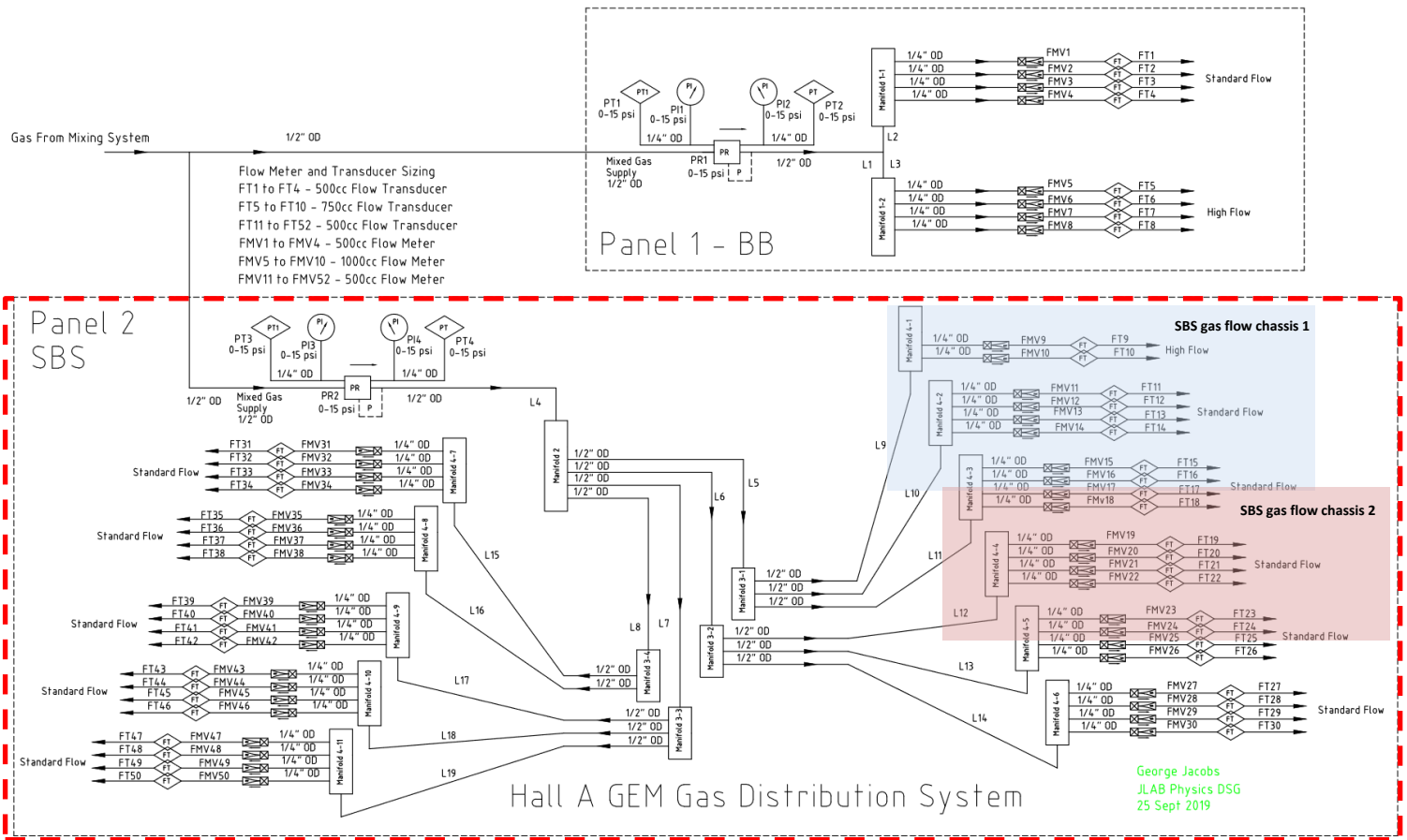


Figure 1. DSG-designed GEM gas distribution system P&I diagram; red dash-lined box shows SBS system. SBS chassis 1 is highlighted in blue, chassis 2 is highlighted in red

2. BigBite gas distribution system commissioning

Marc McMullen and Brian Eng

1. Two high flow channels have been connected to the gas distribution system and are displaying flow
 - Channels 6 and 8 are flowing 104–105 scm