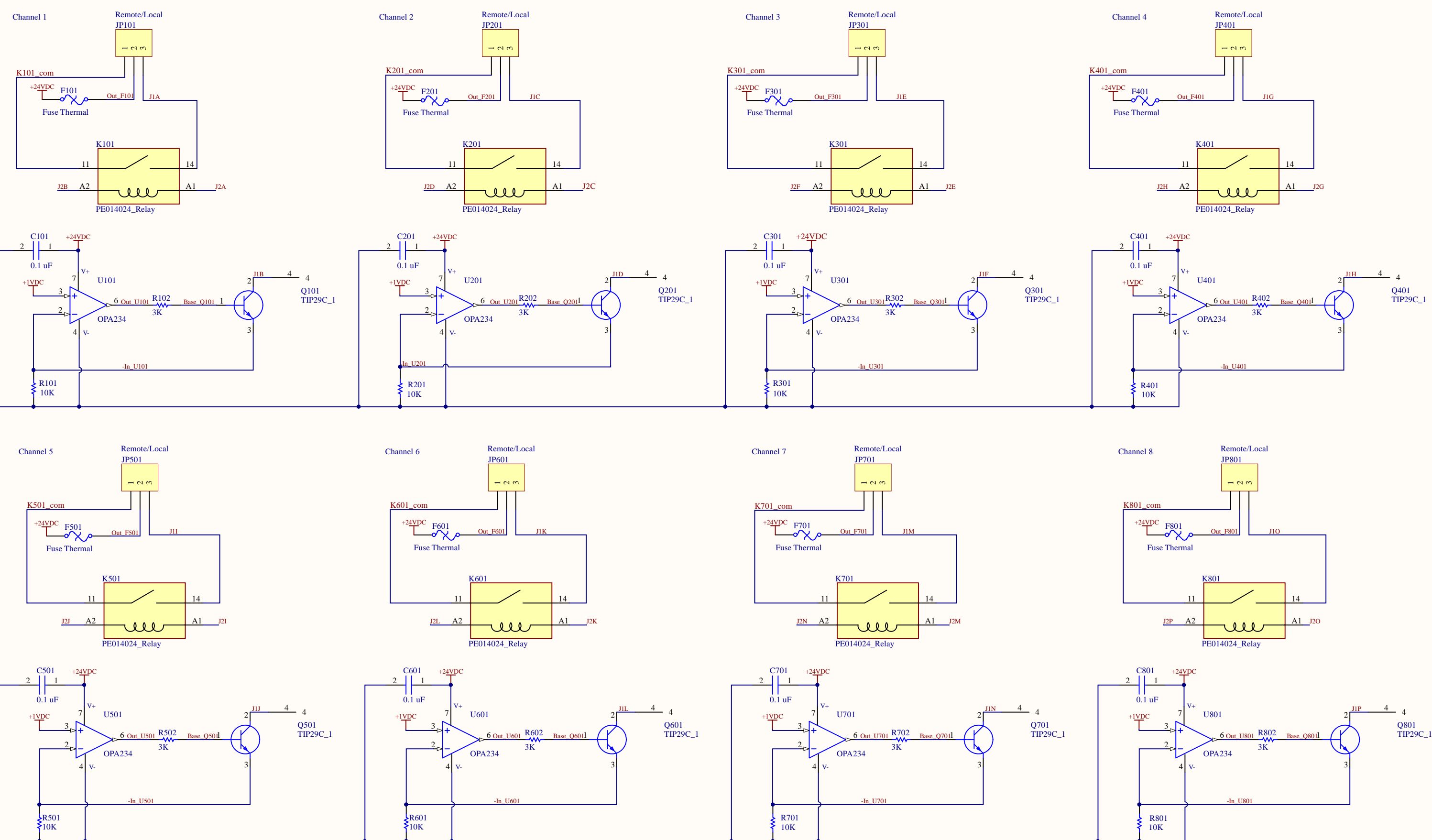
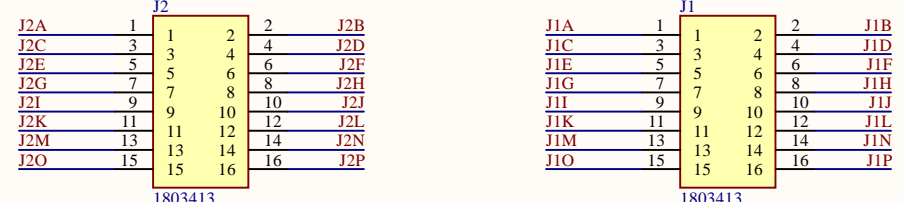


REVISIONS				
REV.	REMARKS	DRAWN	DATE	APPROVED



Note 2: Put jumper across pins 1 & 2 of JP#01 for remote enabling of the current source or pins 2 & 3 for local control of the current

Note 3: Header 3 ordering part number is 538-87891-4006 (40 pin break-away 0.1 header)



Jefferson Lab
Thomas Jefferson National Accelerator Facility

TITLE Hall A Magnets
SoLID Magnet
Constant Current Source Board
PCB Schematic

SIZE C	CAD I.D. NO. //EECAD...	DRAWING NO.	REV
SCALE	SHOWN ON	SHEET * OF *	

DRAWN
M. McMullen

DATE
2/20/20