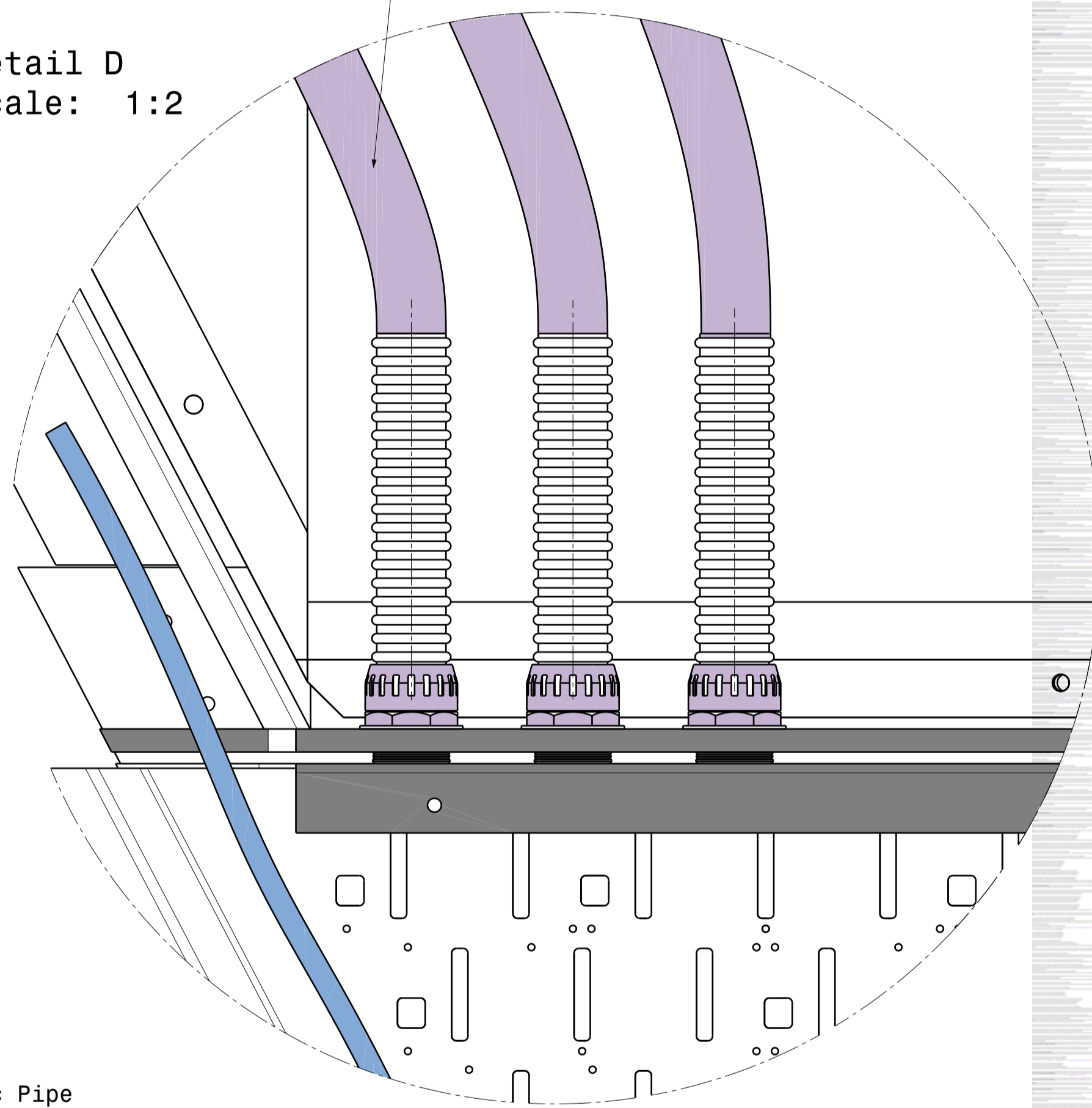


Corrugate Pipe
 Plastic
 Inner Dia.28mm
 Lenght 2600mm until the top panel
 6000mm until the final point

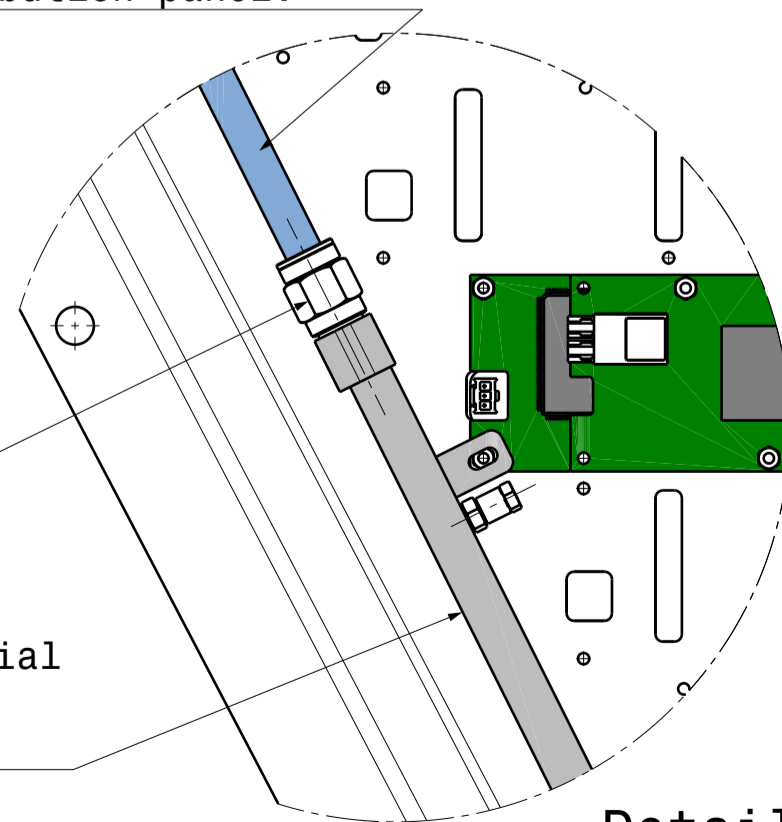
Detail D
 Scale: 1:2



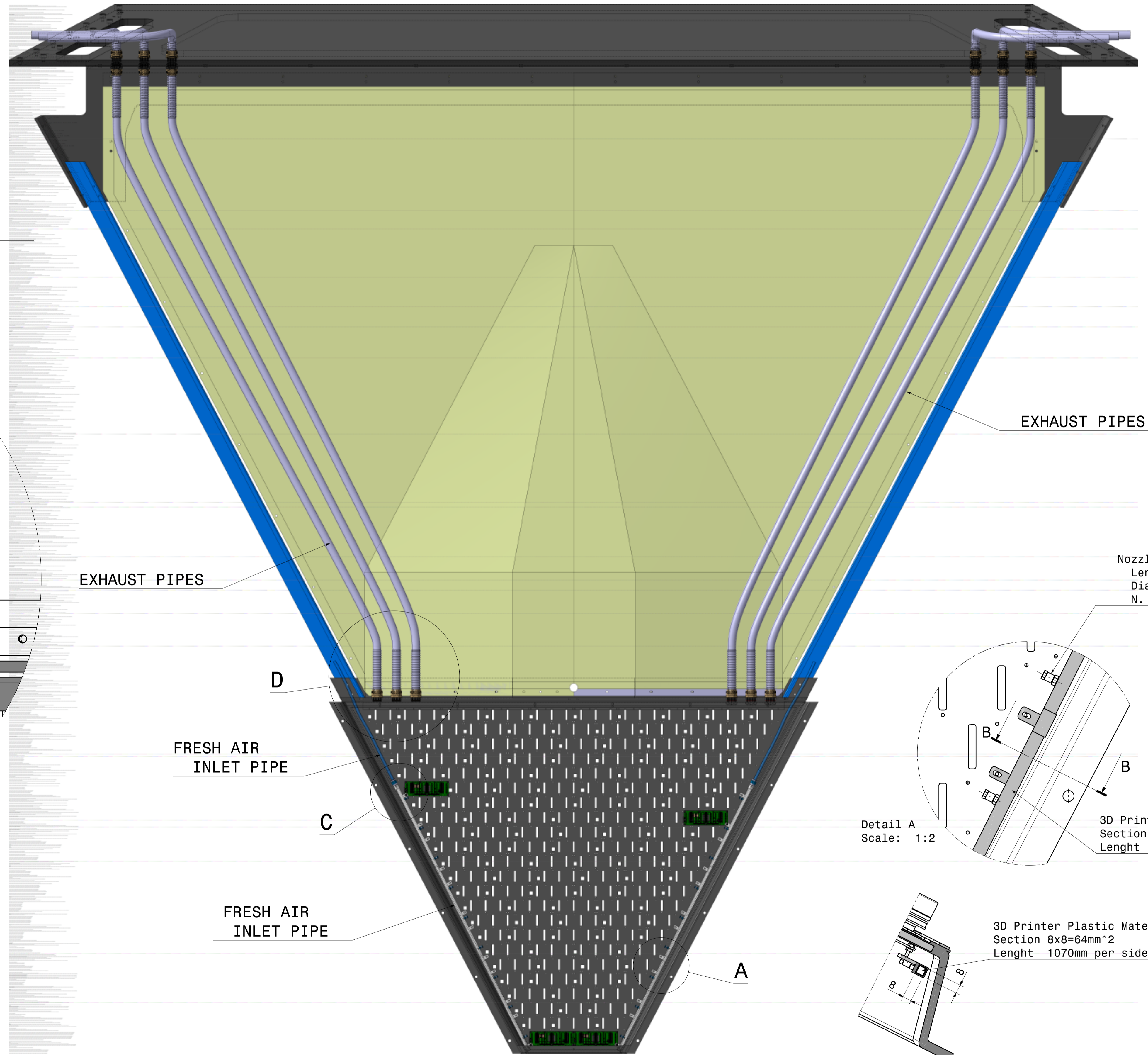
Plastic Pipe
 Inner Diam.8mm
 lenght 4300mm until the PPanel
 6000mm until the distribution panel.

Metal Male Connector

3D Printer Plastic Material
 Section 8x8=64mm²
 Lenght 1070mm per side



Detail C
 Scale: 1:2



EXHAUST PIPES

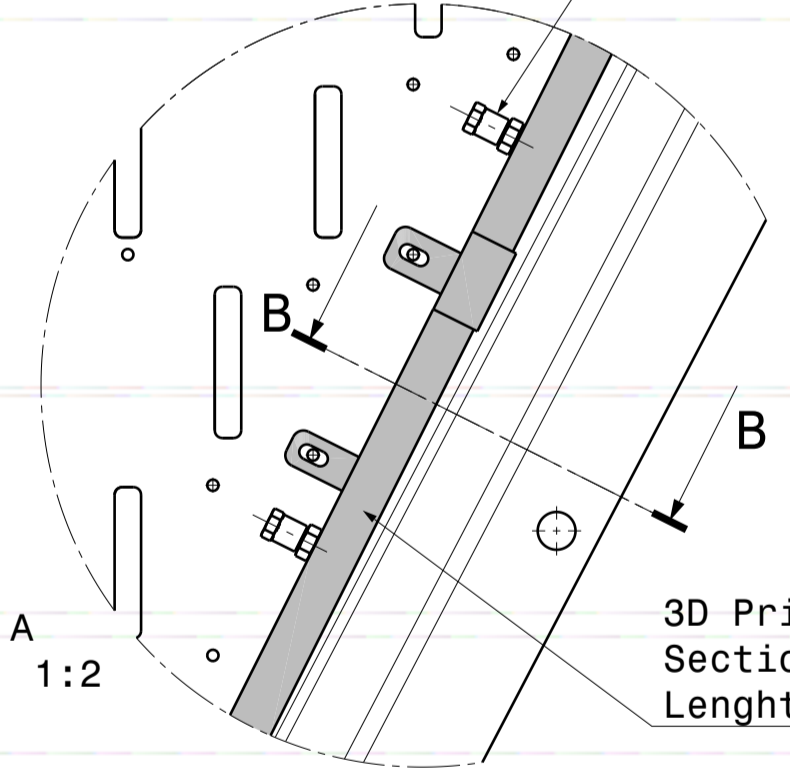
EXHAUST PIPES

FRESH AIR
 INLET PIPE

FRESH AIR
 INLET PIPE

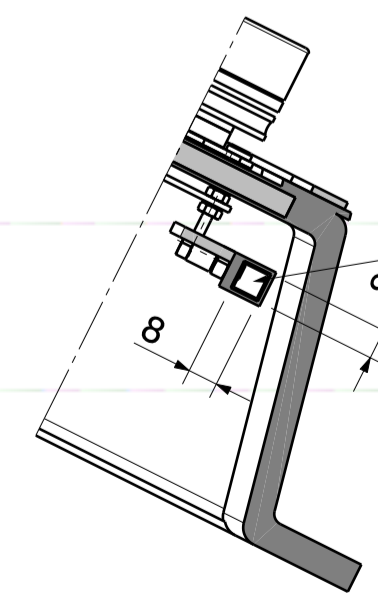
Nozzles
 Lenght 10mm
 Diam. 2mm
 N. 9 Nozzles per side

Detail A
 Scale: 1:2



3D Printer Plastic Material
 Section 8x8=64mm²
 Lenght 1070mm per side

3D Printer Plastic Material
 Section 8x8=64mm²
 Lenght 1070mm per side



Section view B-B
 Scale: 1:2

Front view
 Scale: 1:8