

KB500-1000-2000-3000-5000 GR



## Pedestal

**Pedestal:**

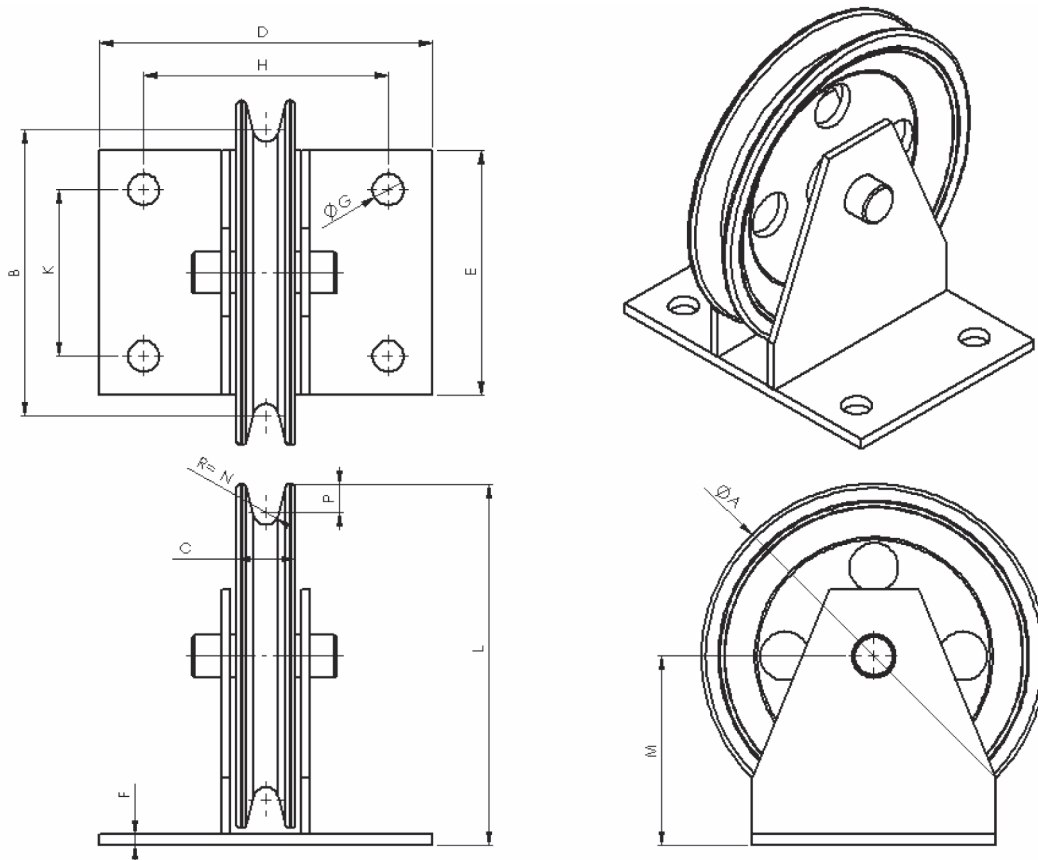
- robust
- suitable for hand-driven winches
- cable pulley made of cast iron
- plain bearing

**GEBUWIN**  
metal products



Industrieweg 6 7102 DZ Winterswijk The Netherlands  
T +31 (0)543 532600 F +31 (0)543 532601  
info@gebuwin.com www.gebuwin.com

## Technical specifications KB500-1000-2000-3000-5000 GR



Type	Mounting	Material finish	Remarks
KB500 GR	4x M10 class 8.8	Painted finish	RAL 7035 (grey)
KB1000 GR	4x M12 class 8.8	Painted finish	RAL 7035 (grey)
KB2000 GR	4x M16 class 8.8	Painted finish	RAL 7035 (grey)
KB3000 GR	4x M20 class 8.8	Painted finish	RAL 7035 (grey)
KB5000 GR	4x M20 class 8.8	Painted finish	RAL 7035 (grey)

Dimension (mm)	A	B	C	D	E	F	G	H	K	L	M	N	P
KB500 GR	115	89	24	125	65	4	12	95	35	126	69	5,5	13
KB1000 GR	155	129	27	150	110	5	14	110	75	163	85	5,5	13
KB2000 GR	220	184	32	175	165	6	17	125	115	236	126	8,5	18
KB3000 GR	260	222	40	255	200	8	21	199	144	278	148	9,5	19
KB5000 GR	310	250	52	270	240	9	21	210	180	339	184	14	30

Technical specifications	KB500	KB1000	KB2000	KB3000	KB5000
Max. capacity	500 kg	1000 kg	2000 kg	3000 kg	5000 kg
Max. diameter cable	10 mm	10 mm	16 mm	18 mm	26 mm
Own weight	1,5 kg	3 kg	6,5 kg	12 kg	23 kg