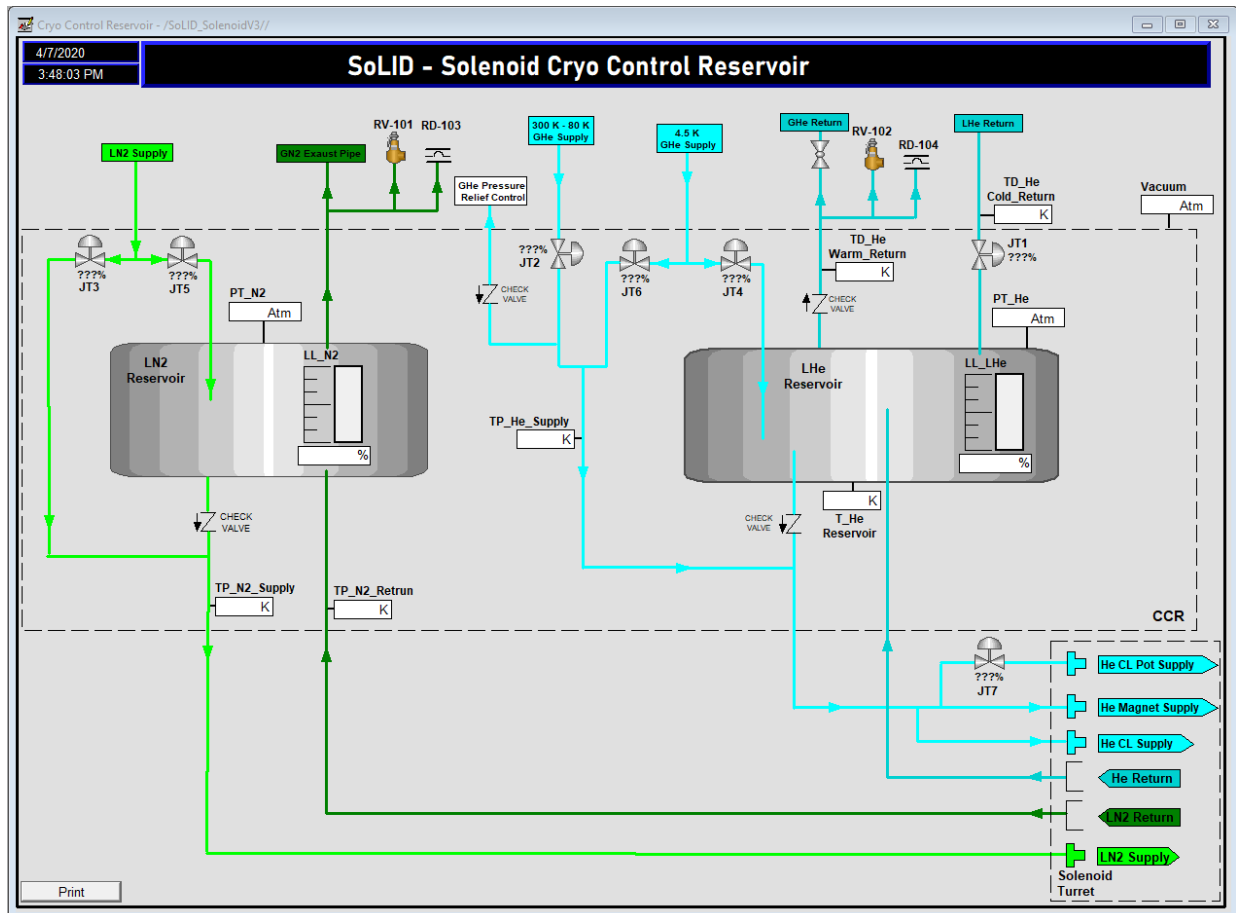


Summary

Hall A – SoLID Magnet Controls

Mary Ann Antonioli, Pablo Campero, Brian Eng

- Developed and revised AutoCAD drawings for:
 - ★ Drawing # 0200 – rear instrumentation control panel
 - ★ Drawing # 0600 – vacuum, pressure, mass flow wire diagram
 - ★ Drawing # 2600 – miscellaneous instrumentation cable diagram
- Updated SoLID Drawing List spreadsheet:
 - ★ Added *remote # 2 PLC chassis* drawings
 - ★ Updated comments and added new column with group names
- Modified PLC code to read voltage taps sensors
- Installed RSLogix 5000 v20 on dsg-halla-1 for an additional SoLID PLC workstation.
- Updated firmware of 1756-ENBT Ethernet module in SoLID PLC system from version 4.008 to 6.006.
 - ★ Verified compatibility of module firmware version in a PLC redundancy system.
- Development of Cryo Control Reservoir (CCR) HMI screen in progress.
 - ★ Main components, helium supply lines, and nitrogen supply lines added to screen.

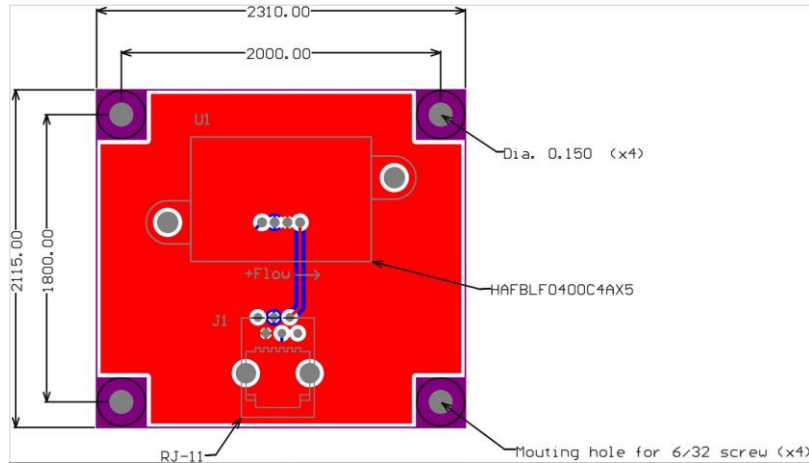


SoLID Solenoid Cryo Control Reservoir HMI screen under development

Hall A – SBS GEM Gas System

Brian Eng, Marc McMullen

- Completed schematic and initial routing of the PCB for the Honeywell Zephyr flow sensors



PCB design for Zephyr flow sensor. Units on diagram are in mil (1 mil = 0.001 inch).

Hall B – DC Gas System

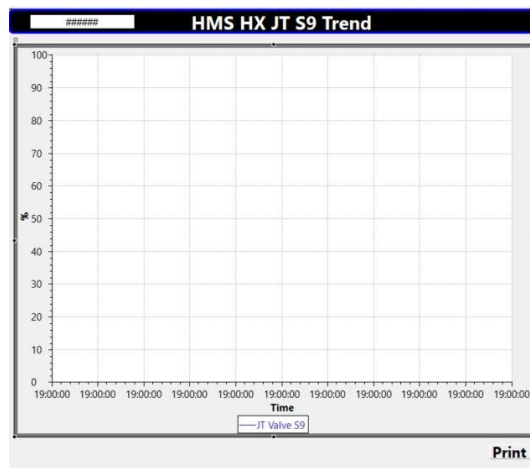
Brian Eng

- Changed DC Gas Mixing during MEDCON6 code to programmatically use PSP Shared Variables instead of the bound front panel indicators/controls.
 - ★ Bound indicators/controls were losing their connecting between cRIOs.
 - ★ No issues since change on 4/1/2020

Hall C – HMI-to-CS-Studio Conversion

Mary Ann Antonioli, Aaron Brown, Pablo Campero

- Continued conversion of HMS Heat Exchanger JT Trend screen.

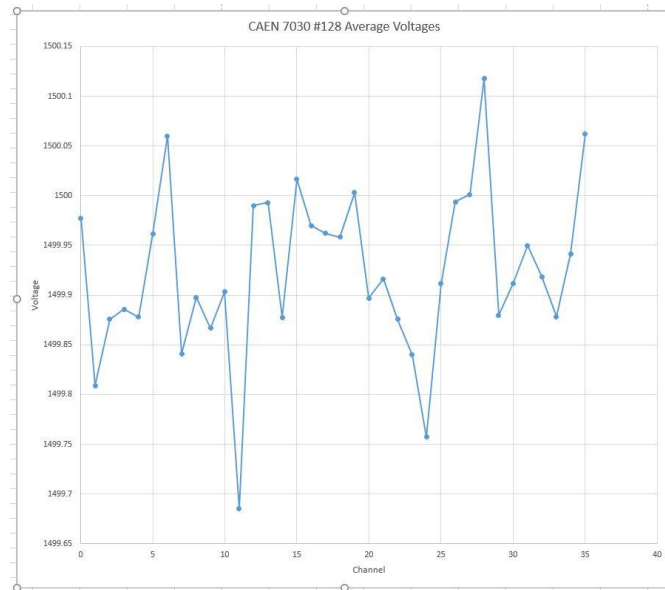


HMS Heat Exchanger JT Trend CS-Studio screen. Screen is empty because PVs are not yet in EPICS.

Hall C – CAEN HV Testing

George Jacobs

- Created plot of CAEN average voltage vs channel for Ch. 0 - Ch. 35 in Excel
 - ★ Voltage variation between channels is less than 1 V.



Average voltage for each channel in CAEN 7030 HV board #128 during stability test.

HDice – fsNMR

Peter Bonneau, Tyler Lemon

- Added ability to use background data (previous run’s averaged data) as a normalization factor for comparison
 - ★ Not a true normalization, more of forcing new data to be on same scale as background data.
 - ★ Formula used (to normalize data at each frequency):
 - Normalized data = [(new data)/(background)] x (overall maximum of background)
- Investigated alternate method of acquiring data for N cycles by taking N acquisitions at each frequency, sweeping frequency once.
 - ★ Currently program sweeps frequency N times, taking one data point at each frequency.
 - ★ This method is faster than multiple complete frequency sweeps.

Engineering

Mindy Leffel, Marc McMullen

- Continued population of BPM boards.
 - ★ Ordered parts for the BPM boards.



Detector Support Group

Weekly Report, 2020-04-08

DSG R&D – EPICS Data Logger

Aaron Brown

- Installed RStudio and R base on DSGCOMP10
- Developed code in R to query the MySQL database directly and plot the results
 - ★ Working on establishing remote connection to database to allow users to access database regardless of what machine they're logged in to

DSG R&D – MSELV Chassis

Peter Bonneau, Tyler Lemon, Marc McMullen

- RMC review underway, completed signal integrity routing check to fix all traces routed over clearance holes in the adjacent plane layer.
- Investigated Raspberry Pi as controller for chassis in two configurations:
 - ★ Independent controller: Raspberry Pi is only controller in chassis communicating to DACs and ADCs.
 - Not enough GPIO pins to give each necessary signal its own IO pin.
 - Looking into whether DAC or ADC sync signals or clock signals could be assigned to same Raspberry Pi GPIO pin to reduce number of pins needed.
 - ★ Dual controller: Raspberry Pi works with DE0-Nano and performs excitation calculations and PLC communications.
 - Raspberry Pi would replace LV-cRIO in current chassis readout chain.

DSG Website

Aaron Brown, Pablo Campero, Brian Eng, Tyler Lemon

- Redesigning layout of DSG website in progress
 - ★ Added Technical Documentation section to include Drawings for SoLID
- Attended Drupal training