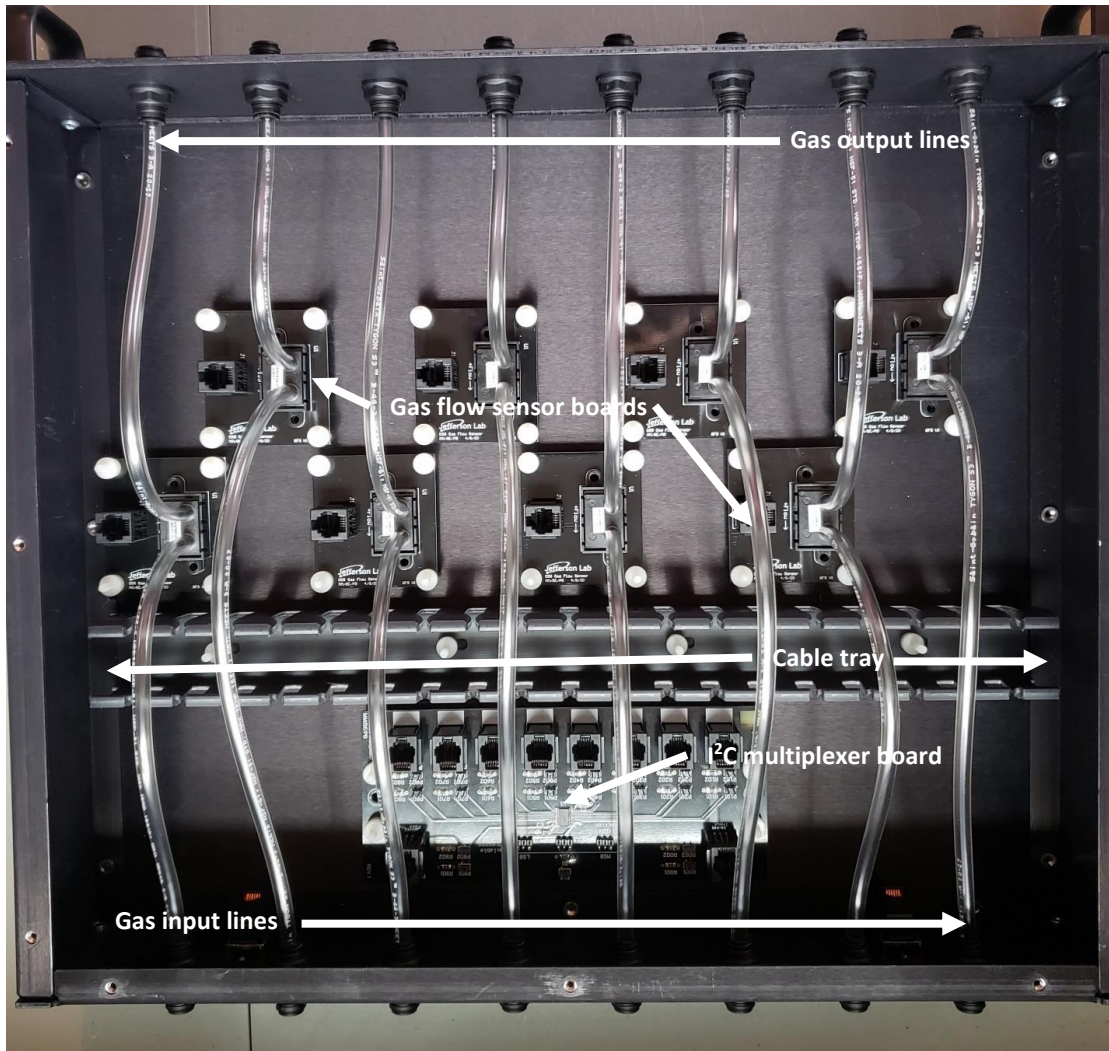


Summary

Hall A – GEM

Mary Ann Antonioli, Peter Bonneau, Brian Eng, George Jacobs, Mindy Leffel, Tyler Lemon, Marc McMullen

- Modifying gas flow readback software and WEDM monitoring webpage to display exhaust flow
- Populated 16 gas flow sensor PCBs and two I²C multiplexer boards
- Fabricating gas flow sensor chassis for SBS



Top view of SBS gas flow sensor chassis designed and fabricated by DSG

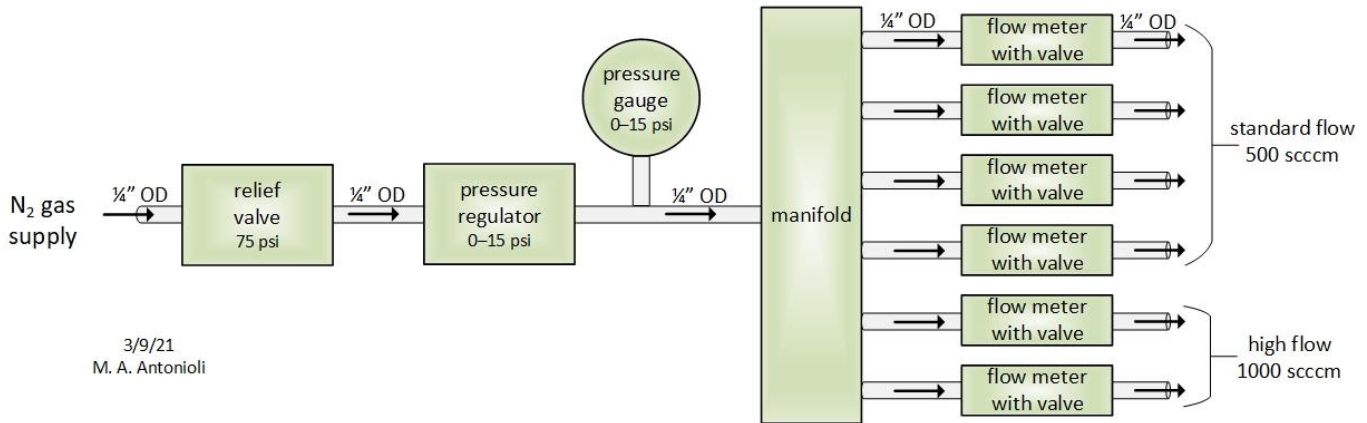
- Generated, using Visio, GEM N₂ gas maintenance panel schematic



Detector Support Group

We choose to do these things "not because they are easy, but because they are hard".

Weekly Report, 2021-03-17



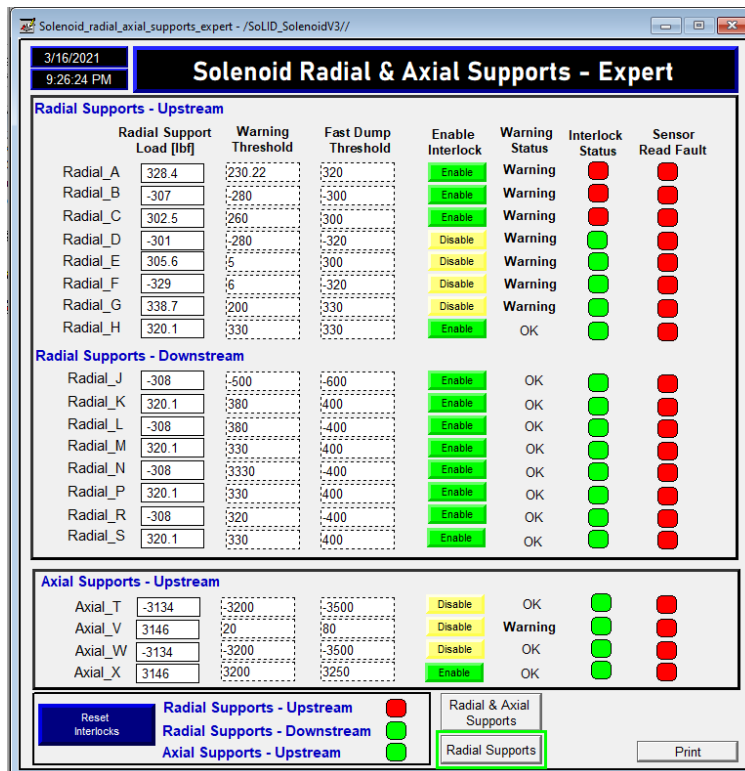
3/9/21
M. A. Antonioli

GEM N₂ gas supply maintenance panel schematic

Hall A – SoLID

Mary Ann Antonioli, Pablo Campero, Mindy Leffel, Marc McMullen

- Modified “Load-Wrng” add-on instructions used to generate warnings to the operator when the radial support load readout is out of limits
- Wrote PLC code to generate warning when the axial support readouts are out of limits
- Wrote PLC code to interlock magnet based on the axial support loads
 - ★ Added code to reset axial support interlock
- Developing backup and restore Python code
- Tested, successfully, *Radial and Axial Supports – Expert HMI screen*



Radial and Axial Supports – Expert HMI screen

Detector Support Group

We choose to do these things "not because they are easy, but because they are hard".

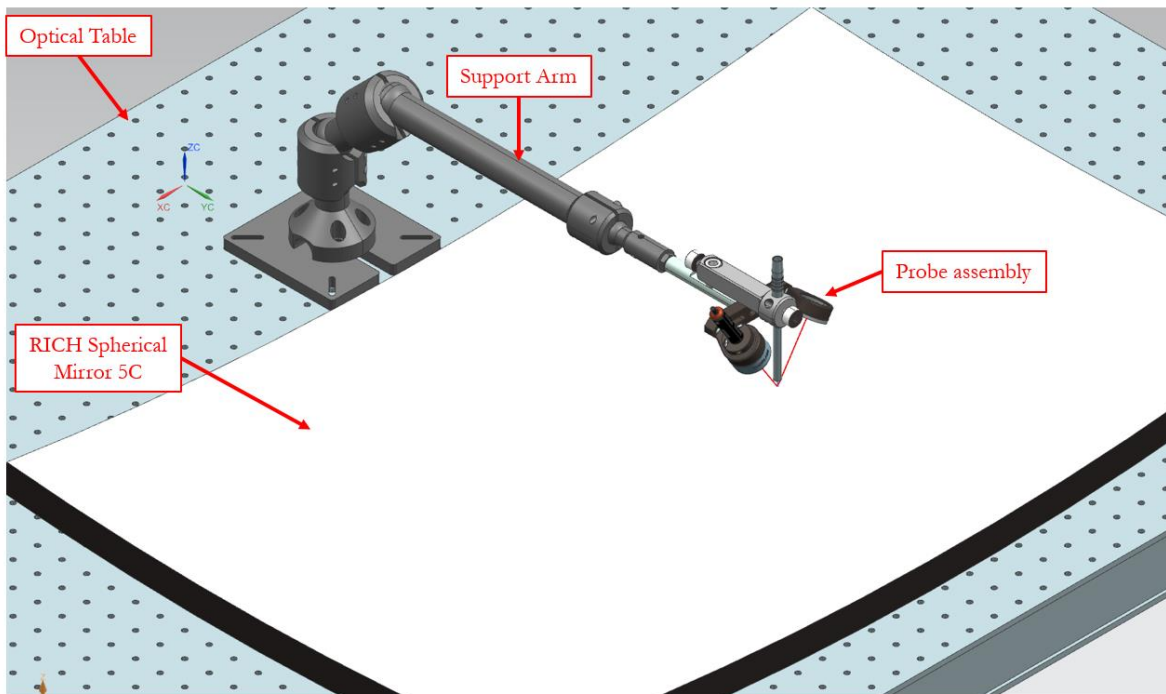
Weekly Report, 2021-03-17

- Generated AutoCAD drawing A000000-16-03-0501: *Heat Exchanger Temperature Sensors*
- Testing the constant current source PCBs for functionality

Hall B – RICH II

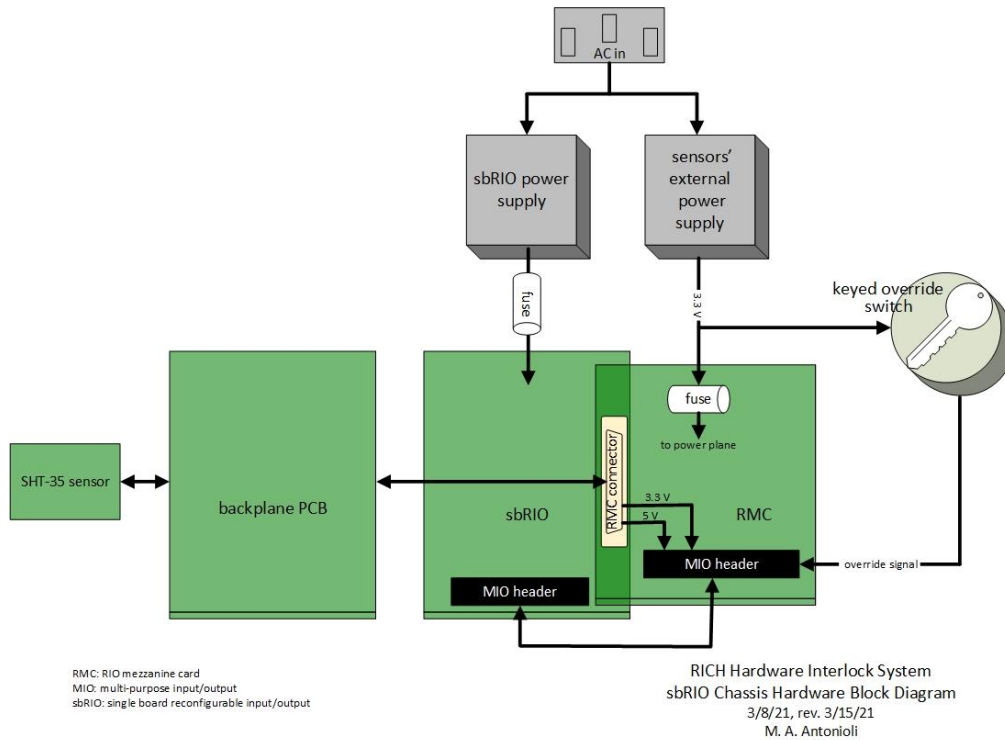
Mary Ann Antonioli, Peter Bonneau, Tyler Lemon

- Updated parts list for reflectivity test station upgrade to include telescoping support arm and other alignment system components
- Modeled, using NX-12, proposed test station components to verify that alignment system would work and support arm can be used to position probe over mirror



Proposed reflectivity test station with telescoping support arm

- Generated, using Visio, RICH Hardware Interlock System sbRIO Chassis Hardware block diagram

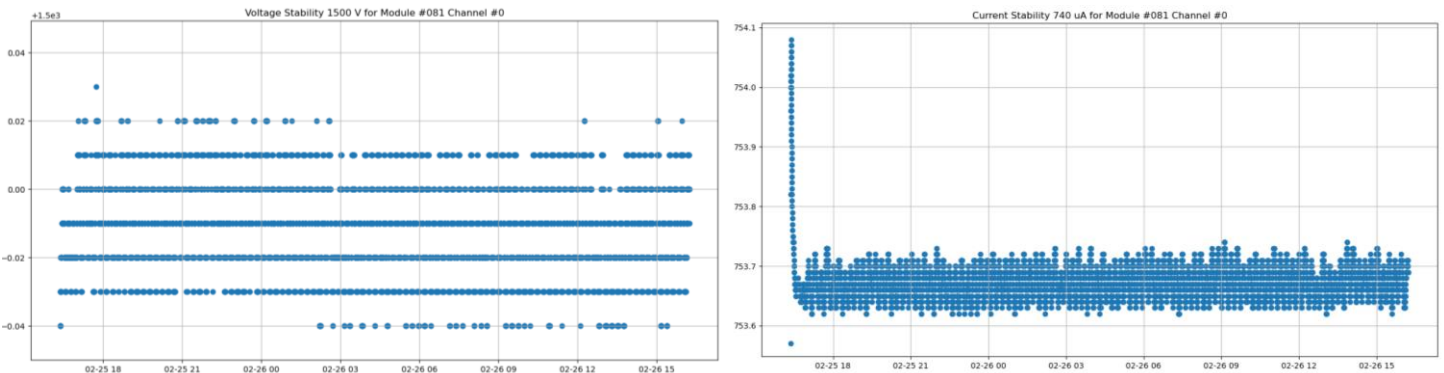


RICH Hardware Interlock System sbRIO Chassis hardware block diagram

Hall C – CAEN Testing

Mary Ann Antonioli, Aaron Brown, George Jacobs

- Investigating reason for large standard deviations for CAEN A1535 and A7435 HV module voltage and current stability test data
- Rewriting stability test analysis code to generate strip charts for each channel individually



Voltage (left) and current (right) stability strip charts for CAEN A7435 module #081 ch0

Hall C – NPS

Mary Ann Antonioli, Peter Bonneau, Aaron Brown, Pablo Campero, George Jacobs, Mindy Leffel, Tyler Lemon

- Tested operation of the Keysight switch/measurement unit via the web interface
 - ★ 34921A multiplexer switches and internal DMM are functional



Detector Support Group

We choose to do these things "not because they are easy, but because they are hard".

Weekly Report, 2021-03-17

- ★ Password protection will be implemented to limit access
- Reviewed revised design for NPS HV supply cable test chassis' SAMTEC connector PCB; sent for manufacturing
- Reviewed manual for VME LED Driver module manual

EIC

Brian Eng

- Completed first draft of CY2021 goals with schedule and milestones

DSG – Cleanroom EEL 124

Marc McMullen

- Coordinated effort to reestablish protocols in the large clean room
 - ★ Resumption of cleaning schedule
 - ★ Contacted facilities management to get the filter change schedule up to date