

Location	Accelerator Operating Conditions	Instrument: _____ Serial #: _____ Calibration due: _____	RWP
----------	----------------------------------	--	-----

Reason for survey:

LEGEND

All readings in mR/h whole body
(unless annotated otherwise)

--- Denotes posted area

Ⓝ Denotes smear location
(results attached if applicable)

Ⓜ Denotes tritium wipe/swab
(results attached if applicable)

— Contact dose rate
 — 30 cm dose rate
 — Item description
 ↓

▨ Denotes area not surveyed

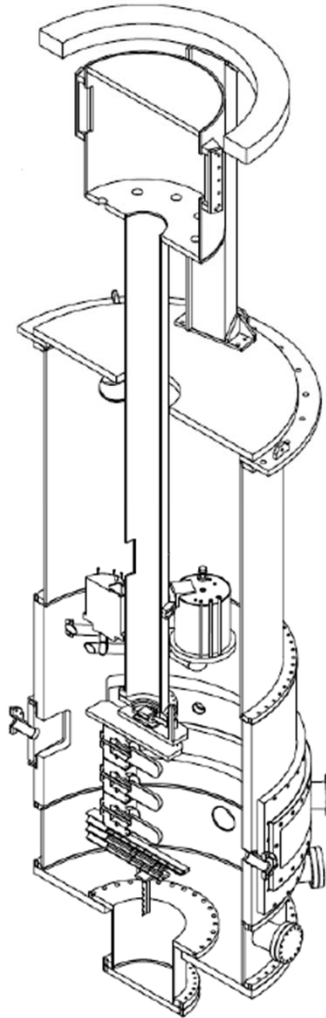
Abbreviations

RMA – radioactive material area
 RCA – radiologically controlled area
 RA – radiation area
 HRA – high radiation area
 CA – contamination area
 HCA – high contamination area

Beam Enclosure Entry Surveys

- Full survey, all areas posted
- Partial survey with continuous surveillance
- N/A

Comments:



Performed by (print)	Date / /	Crew Chief Review (print)	Date / /	RCD Review (print)	Date
Sign	Time	Sign	Time	Sign	/ /